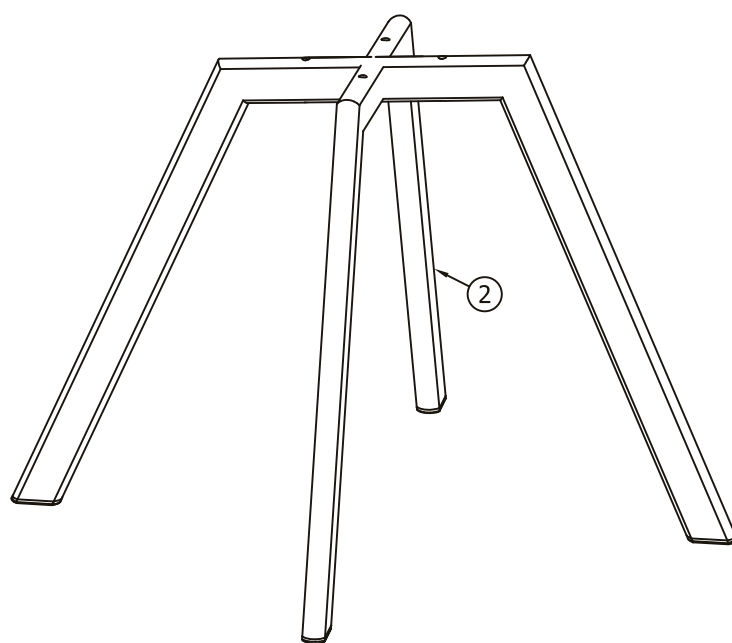
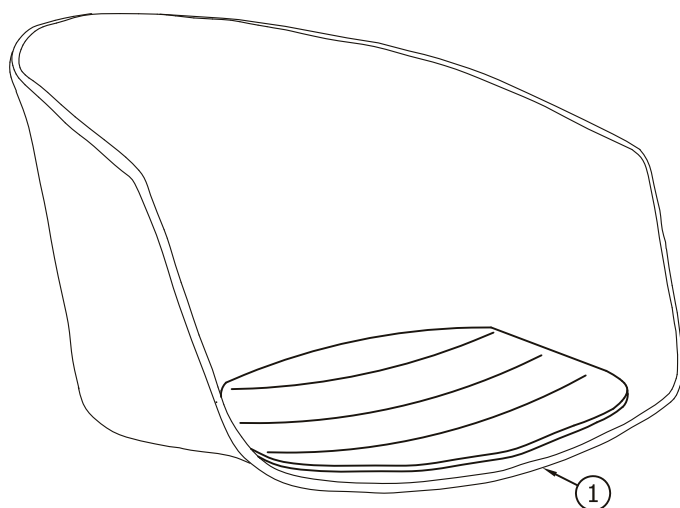






MOON 20





			✓
1	1	490 x 515 x 395	
2	1	458 x 458 x 439	

AX4	BX1	Cx4	Dx4
			
M6 x50mm	4mm	Φ10x 2mm	M6/Φ14mm

