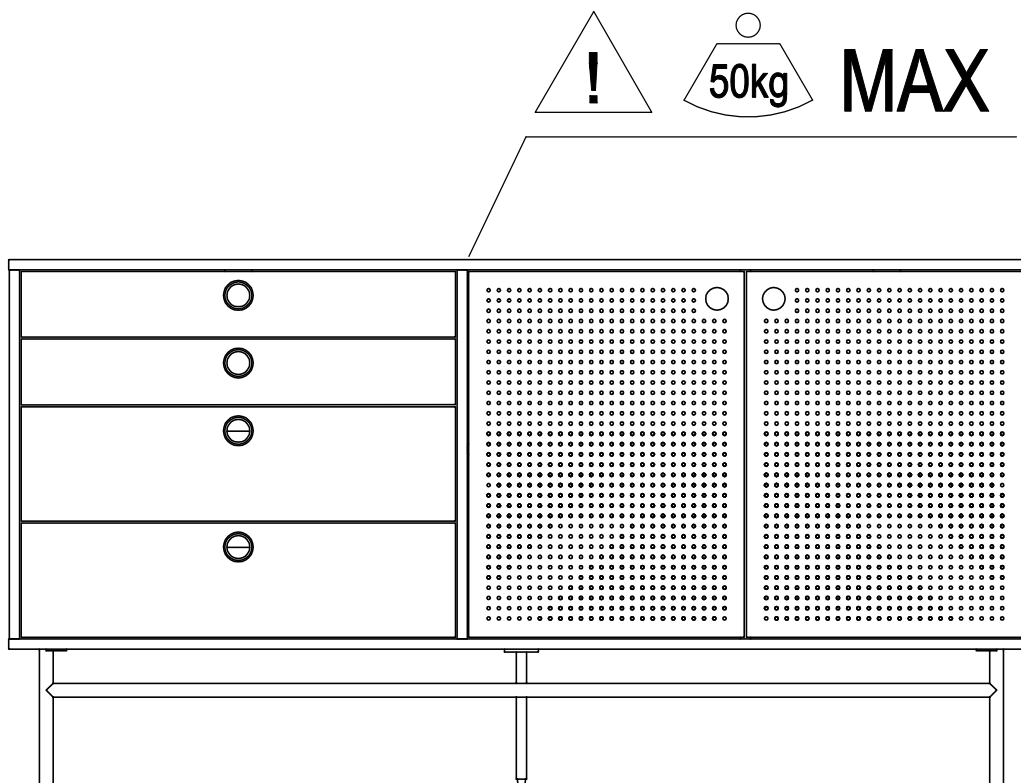


INSTRUCTION MANUAL

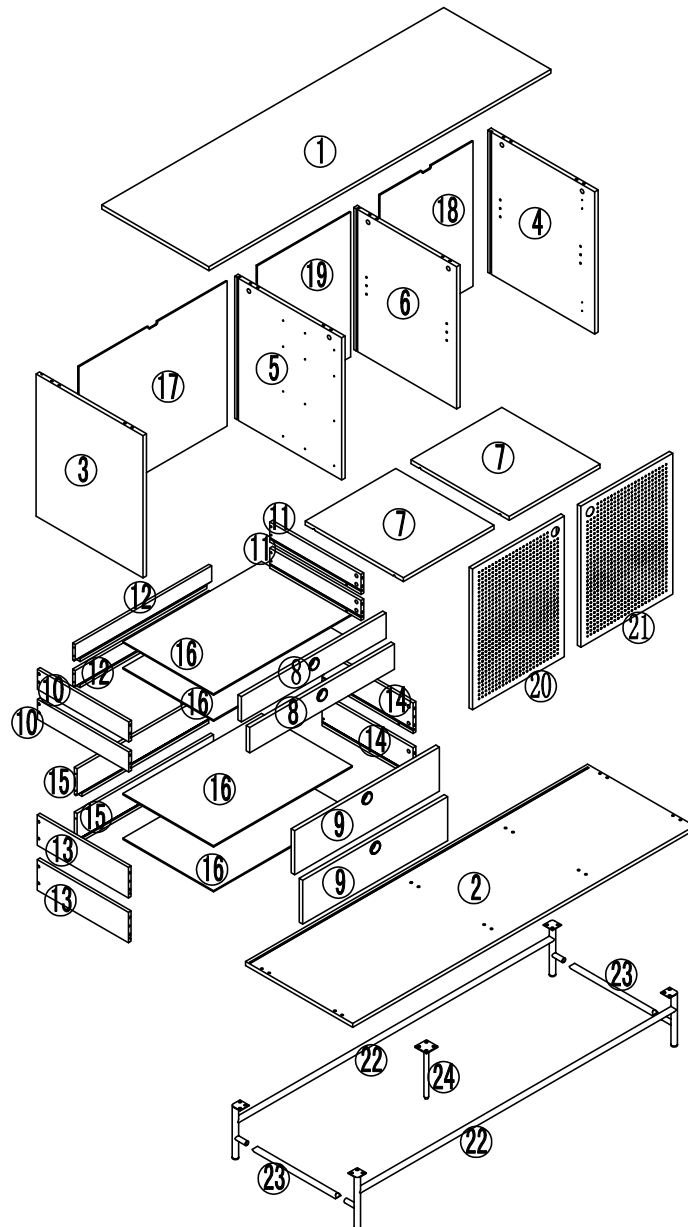
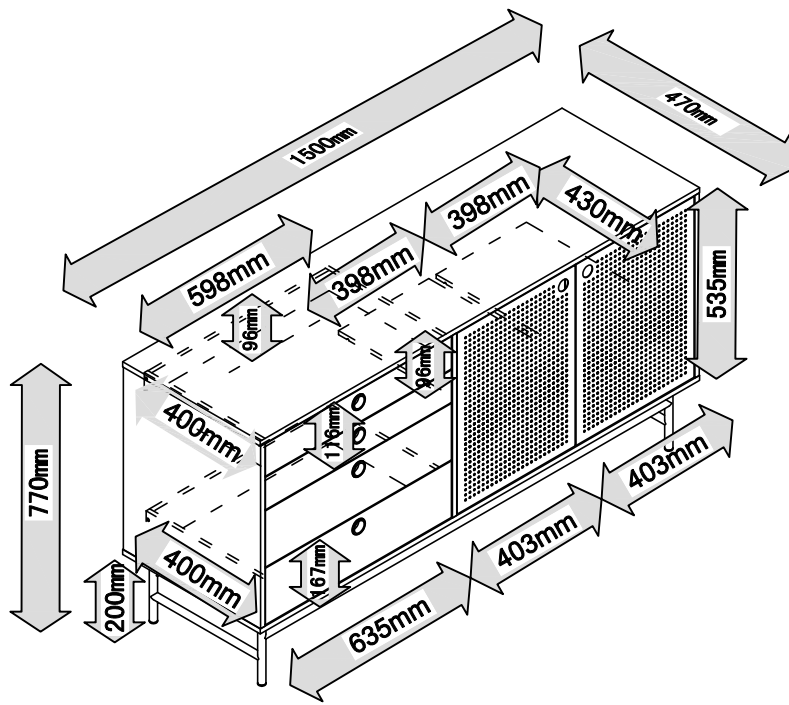
# PUNTO.SIDEBBOARD 2D/4DR



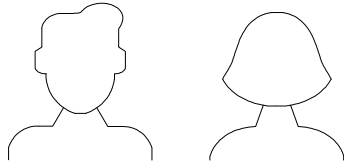
By Cambres Design

# teulat

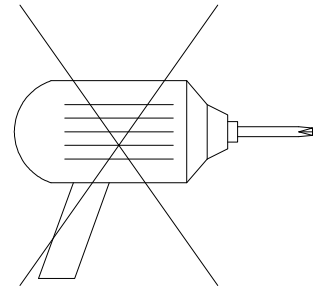
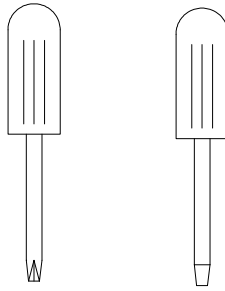
[www.teulat.es](http://www.teulat.es)



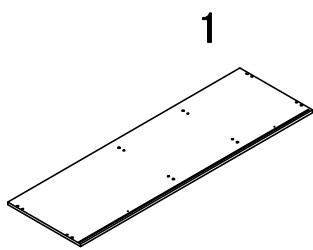
## Needed for assembling



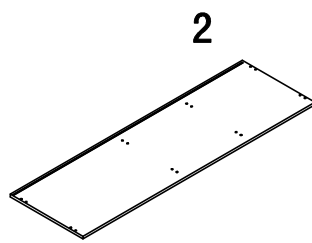
Min. two persons



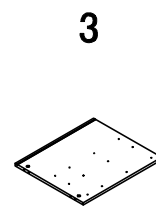
## Content of the boxes



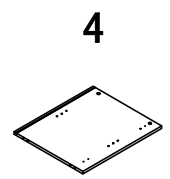
Top x1



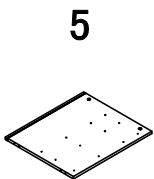
Bottom x1



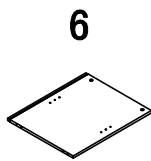
Left side x1



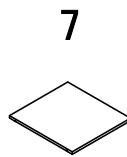
Right side x1



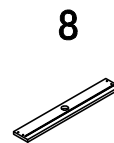
Left inner division x1



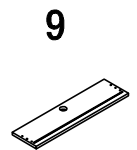
Right inner division x1



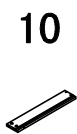
Center shelf x2



Top drawer front x2



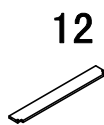
Bottom drawer front x2



Top drawer left x2



Top drawer right x2



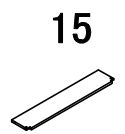
Top drawer back x2



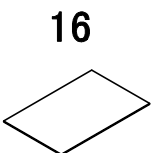
Bottom drawer left x2



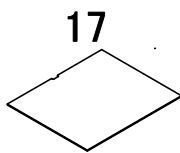
Bottom drawer right x2



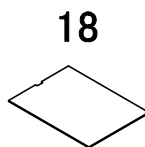
Bottom drawer back x2



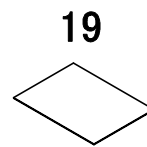
Drawer bottom x4



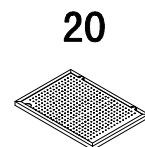
Left back x1



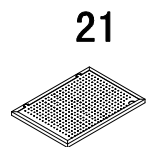
Right back x1



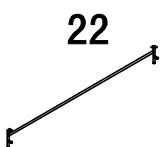
Middle back x1



Left door x1



Right door x1



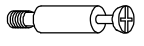








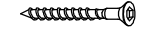












Legs x2



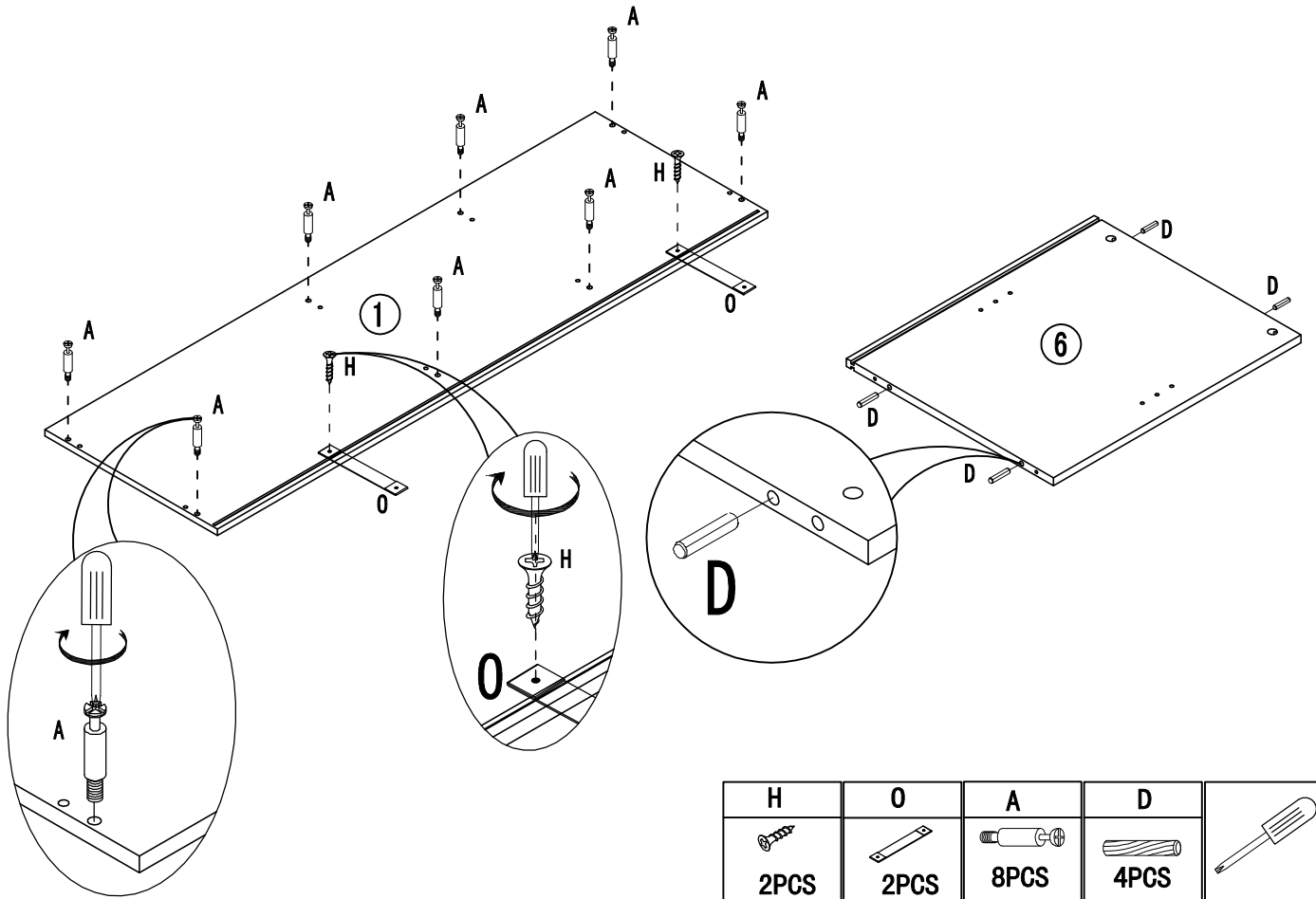
Tube x2



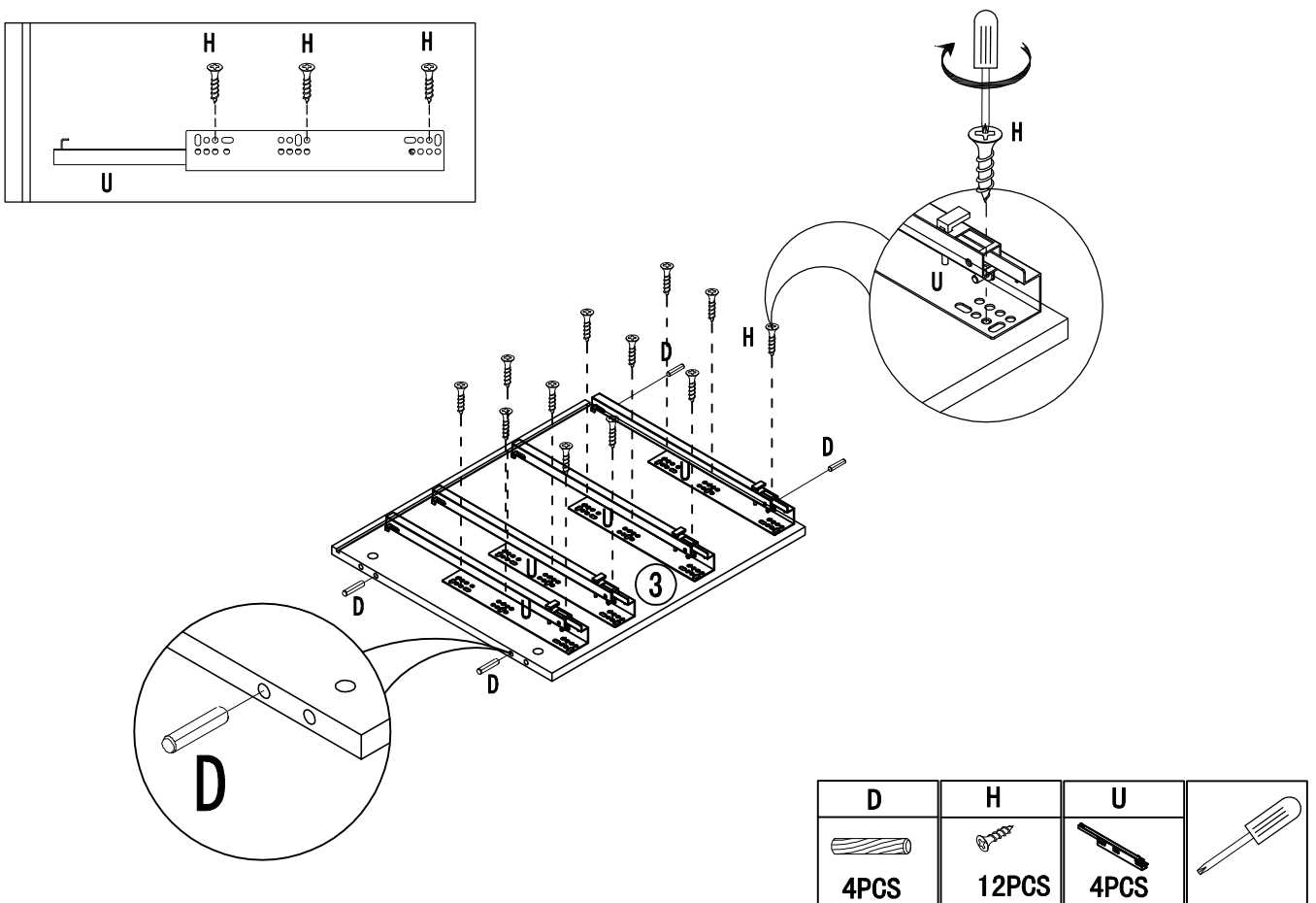
Middle leg x1

<p><b>A</b></p>  <p>Minifix Screw</p> <p>Ø7x33mm</p> <p><b>8PCS</b></p>	<p><b>B</b></p>  <p>Minifix</p> <p>Ø15x11.5mm</p> <p><b>8PCS</b></p>	<p><b>C</b></p>  <p>PVC cap</p> <p>Ø17x4.5mm</p> <p><b>8PCS</b></p>	<p><b>D</b></p>  <p>Dowel</p> <p>Ø8x30mm</p> <p><b>16PCS</b></p>	<p><b>E</b></p>  <p>Dowel</p> <p>Ø6x30mm</p> <p><b>4PCS</b></p>	<p><b>F</b></p>  <p>Minifix</p> <p>Ø12x9.5mm</p> <p><b>16PCS</b></p>
<p><b>G</b></p>  <p>Minifix Screw</p> <p>Ø7x25mm</p> <p><b>16PCS</b></p>	<p><b>H</b></p>  <p>Screw</p> <p>Ø4x15mm</p> <p><b>34PCS</b></p>	<p><b>I</b></p>  <p>Screw</p> <p>Ø4x30mm</p> <p><b>16PCS</b></p>	<p><b>J</b></p>  <p>Screw</p> <p>Ø6x48mm</p> <p><b>8PCS</b></p>	<p><b>K</b></p>  <p>Allen key</p> <p>M4 60x30mm</p> <p><b>1PC</b></p>	<p><b>L</b></p>  <p>Cap</p> <p>Ø10x2mm</p> <p><b>4PCS</b></p>
<p><b>M</b></p>  <p>Hinge</p> <p><b>4PCS</b></p>	<p><b>N</b></p>  <p>Screw</p> <p>M4x10mm</p> <p><b>8PCS</b></p>	<p><b>O</b></p>  <p>Anti tipping</p> <p>160x25mm</p> <p><b>2PCS</b></p>	<p><b>P</b></p>  <p>Screw</p> <p>Ø3x18mm</p> <p><b>14PCS</b></p>	<p><b>Q</b></p>  <p>Fastening device</p> <p>17x16x10.5mm</p> <p><b>14PCS</b></p>	<p><b>R</b></p>  <p>Shelf support</p> <p>Ø6x18mm</p> <p><b>8PCS</b></p>
<p><b>S</b></p>  <p>Bolt</p> <p>M6x10mm</p> <p><b>8PCS</b></p>	<p><b>T</b></p>  <p>Bolt</p> <p>M6x12mm</p> <p><b>16PCS</b></p>	<p><b>U</b></p>  <p>Left slide rail</p> <p>400mm</p> <p><b>4PCS</b></p>	<p><b>V</b></p>  <p>Right slide rail</p> <p>400mm</p> <p><b>4PCS</b></p>		

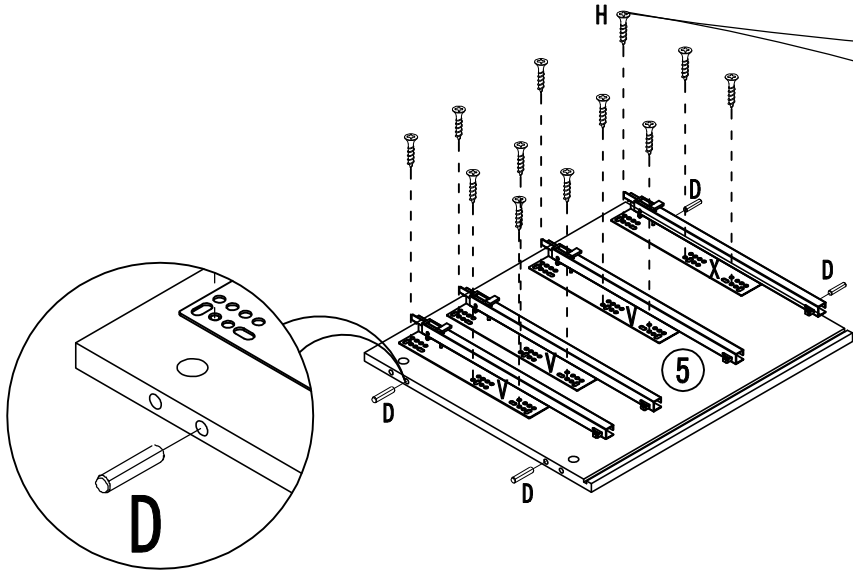
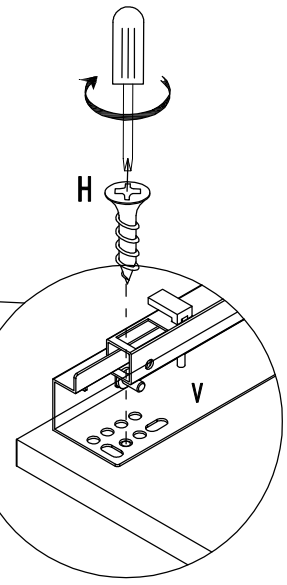
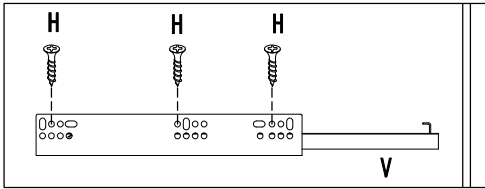
1

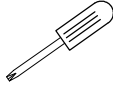





2

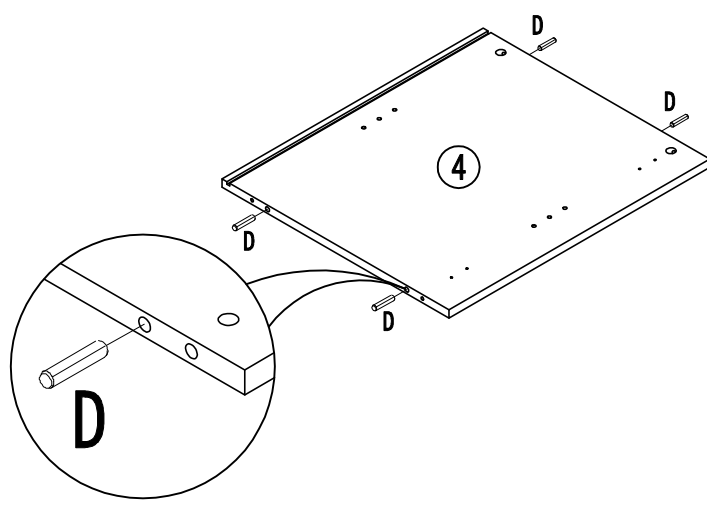



3



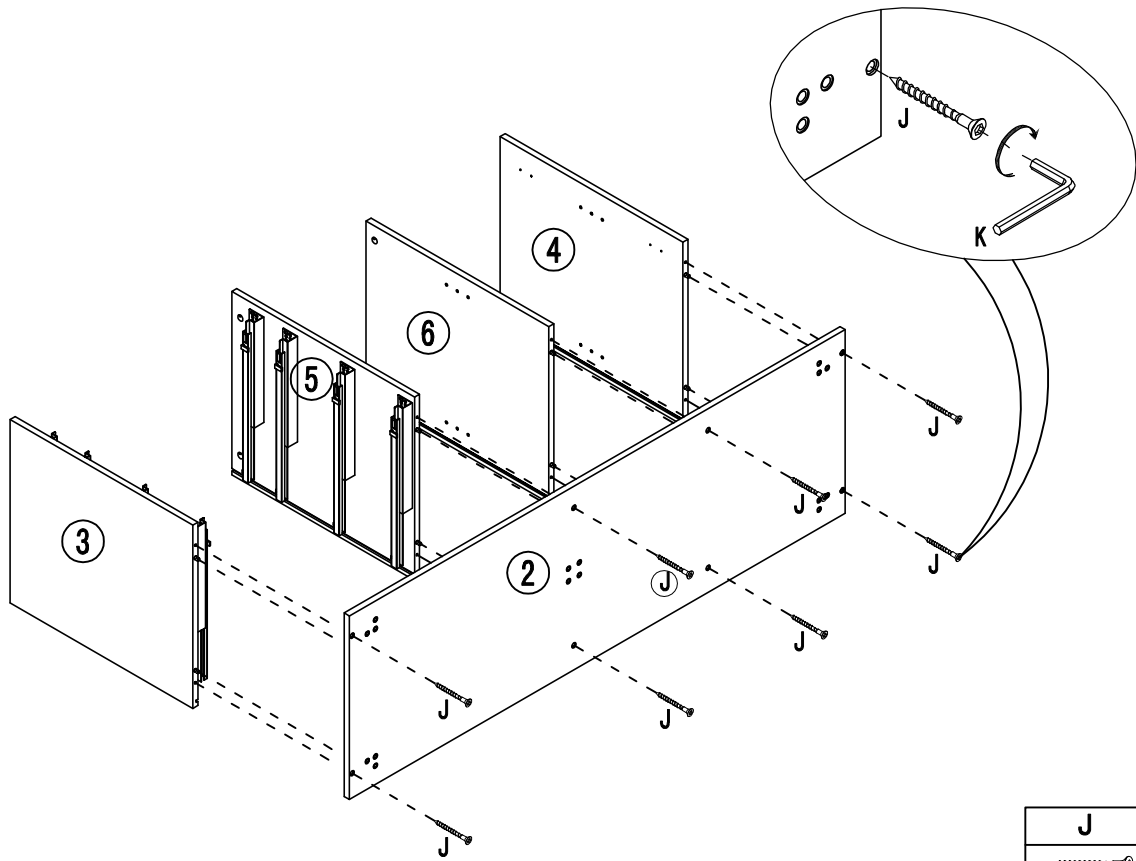
<b>D</b>	<b>H</b>	<b>V</b>	
			
<b>4PCS</b>	<b>12PCS</b>	<b>4PCS</b>	

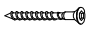

4



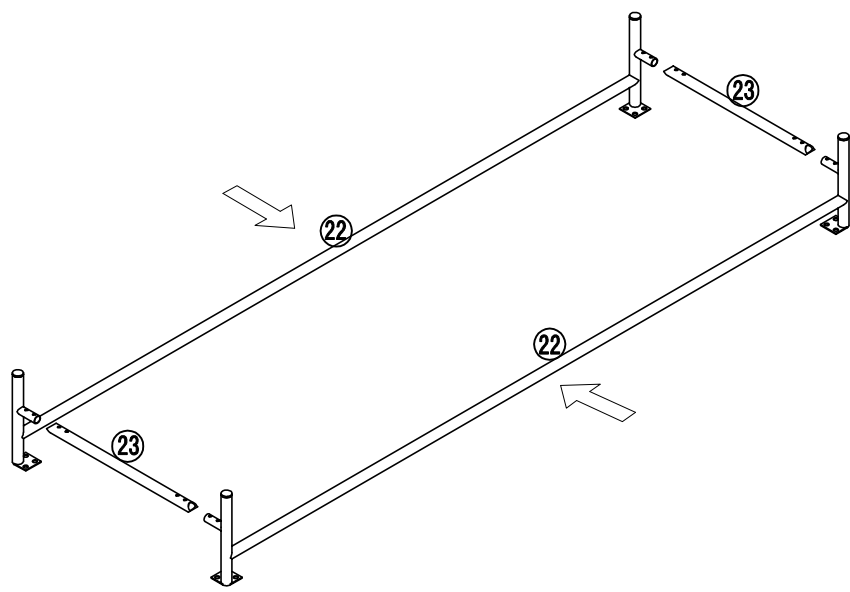
<b>D</b>

<b>4PCS</b>

5

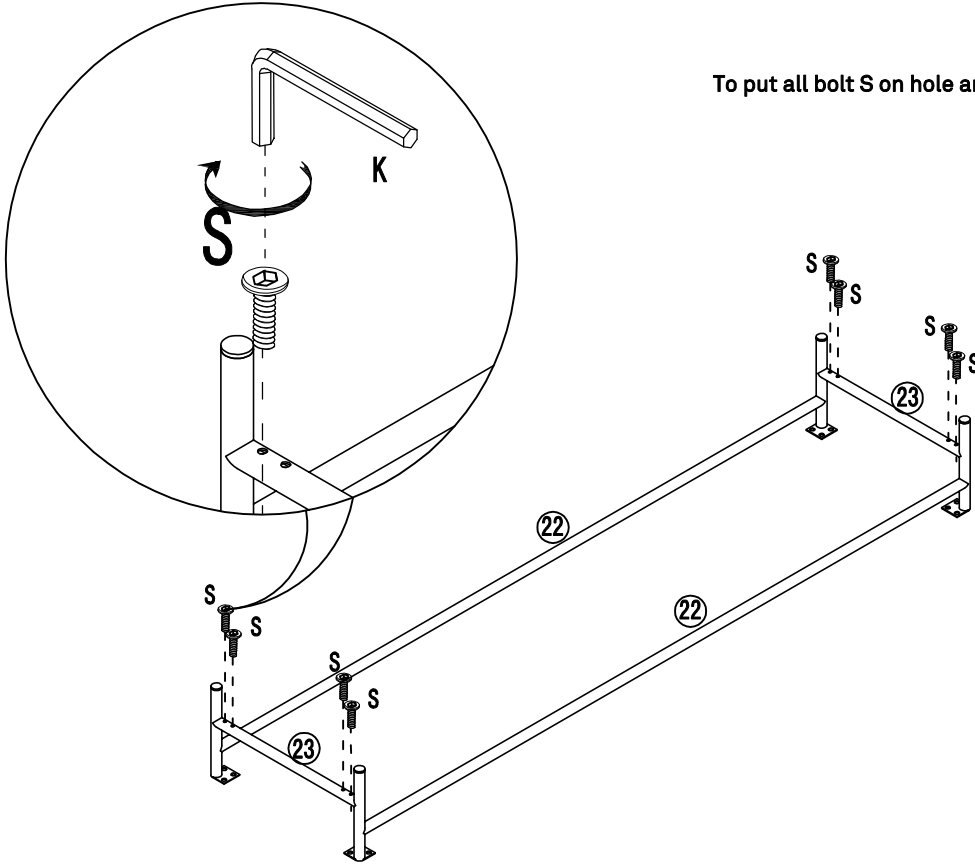


J	K
	
8PCS	1PC

6



7



To put all bolt S on hole and tighten 30%-50%.



S	K
8PCS	1PC

8

**SPANISH:**

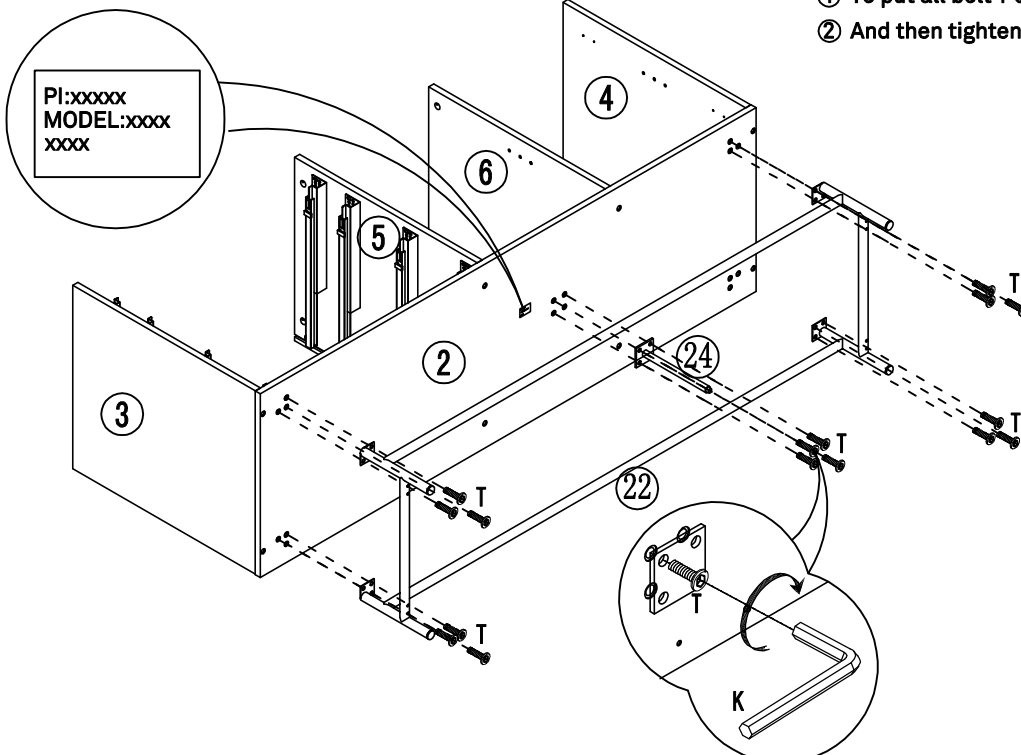
En caso de reclamación, por favor, facilitar la información escrita en la etiqueta.

**FRENCH:**

En cas de réclamation, merci de transmettre les informations contenues sur l' étiquette fixée sur le produit.

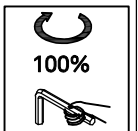
**ENGLISH :**

If you may have whatever complaint, please, let us know the information written on the label.



① To put all bolt T on hole and tighten 30%-50%.

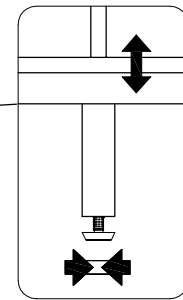
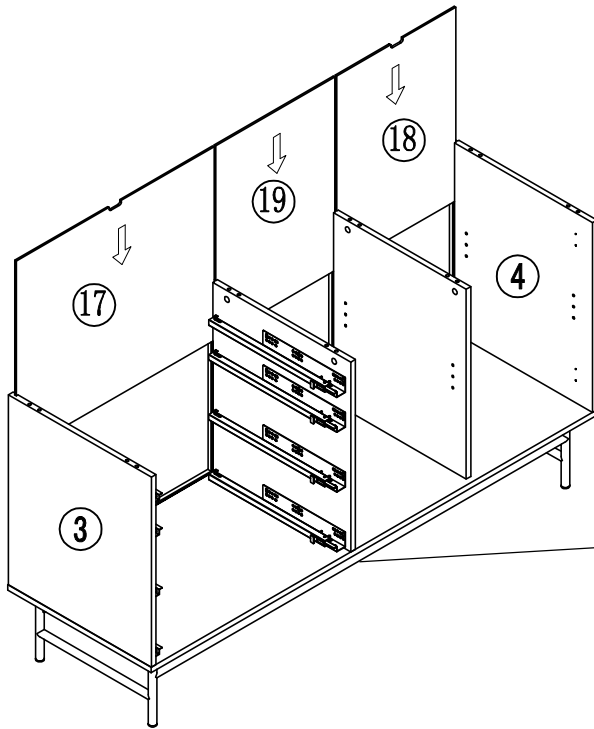
② And then tighten S and T 100%.



T	K
16PCS	1PC

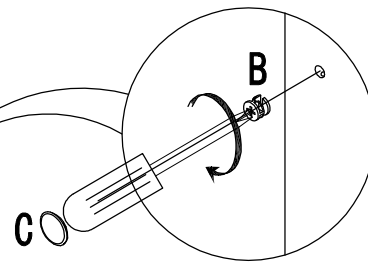
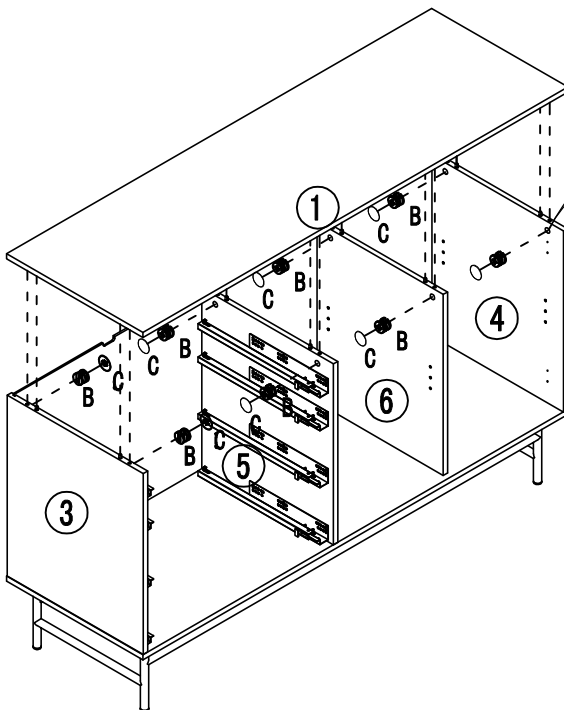





9



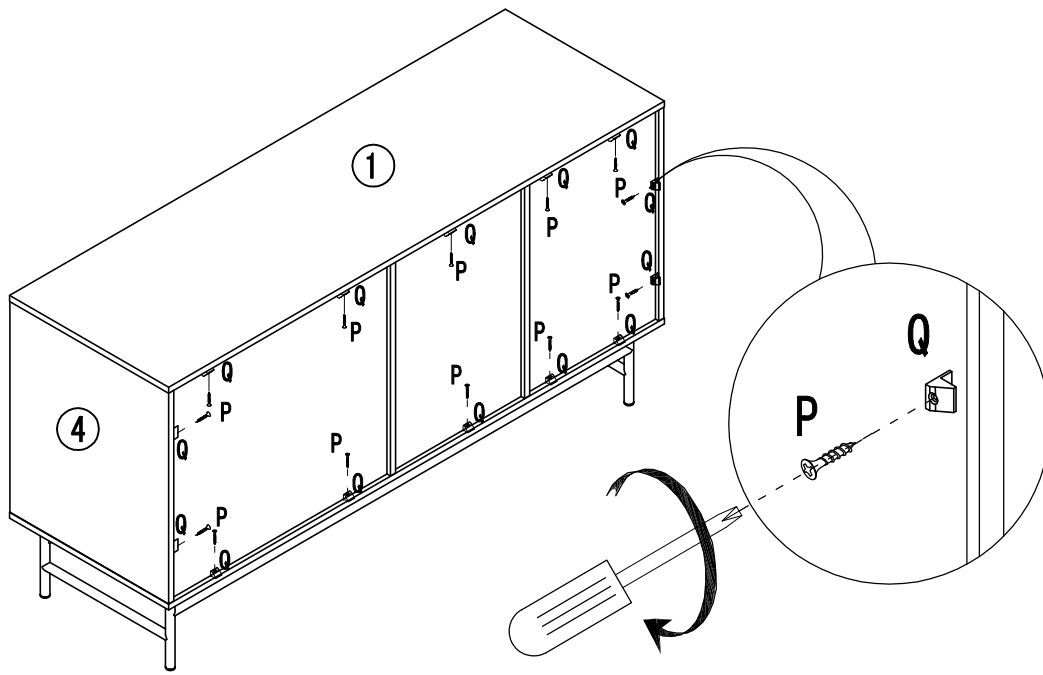
assemble the back panel before,  
adjust the plastic to let the bottom panel flat

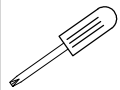


10



<b>B</b>  8PCS	<b>C</b>  8PCS	
---	---	---

11



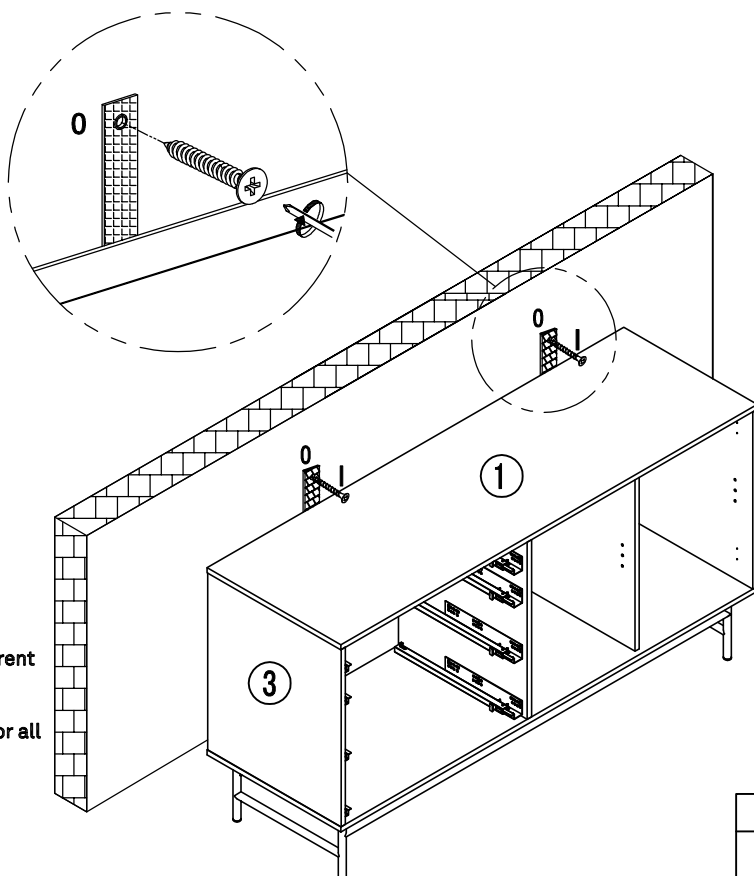
P	Q	
		
14PCS	14PCS	

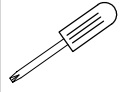
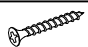
12

Warning

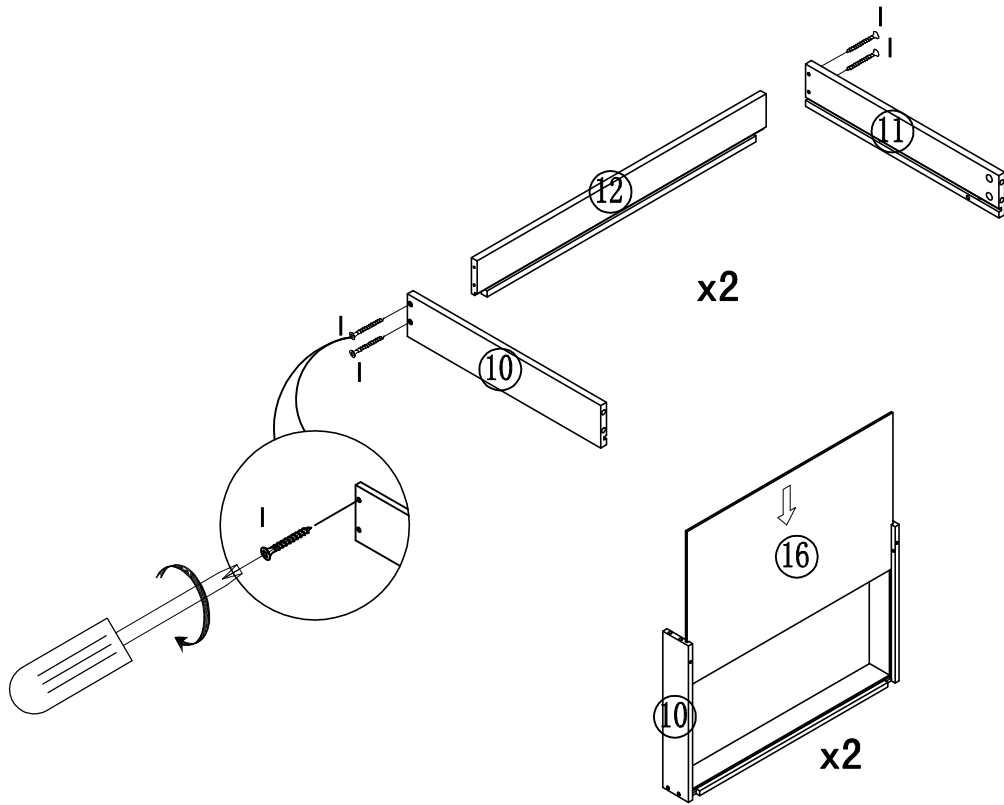



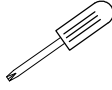
Screws and rawl plugs for the wall are not included, since different walls require different tools and parts. Please, contact your local hardware store for proper advise. The provided hardware is not recommend for all wall kinds. You can use it at your own responsibility.



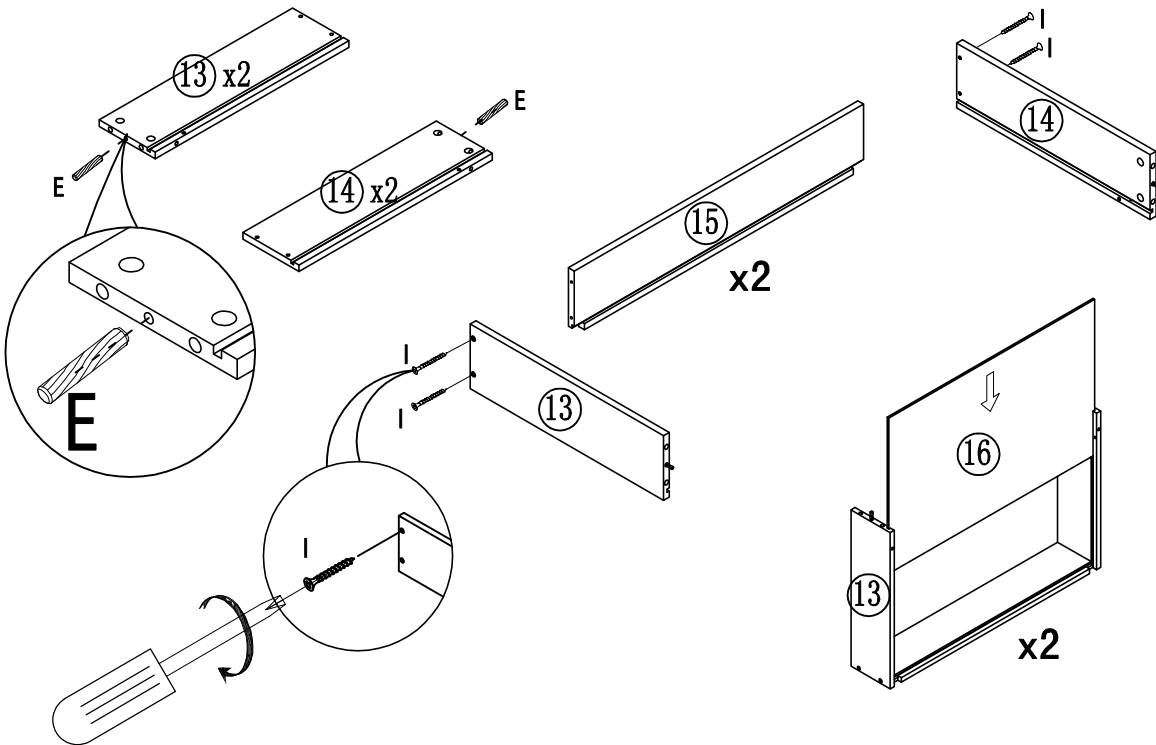
I	
	
2PCS	

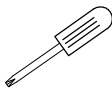

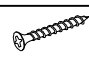
13



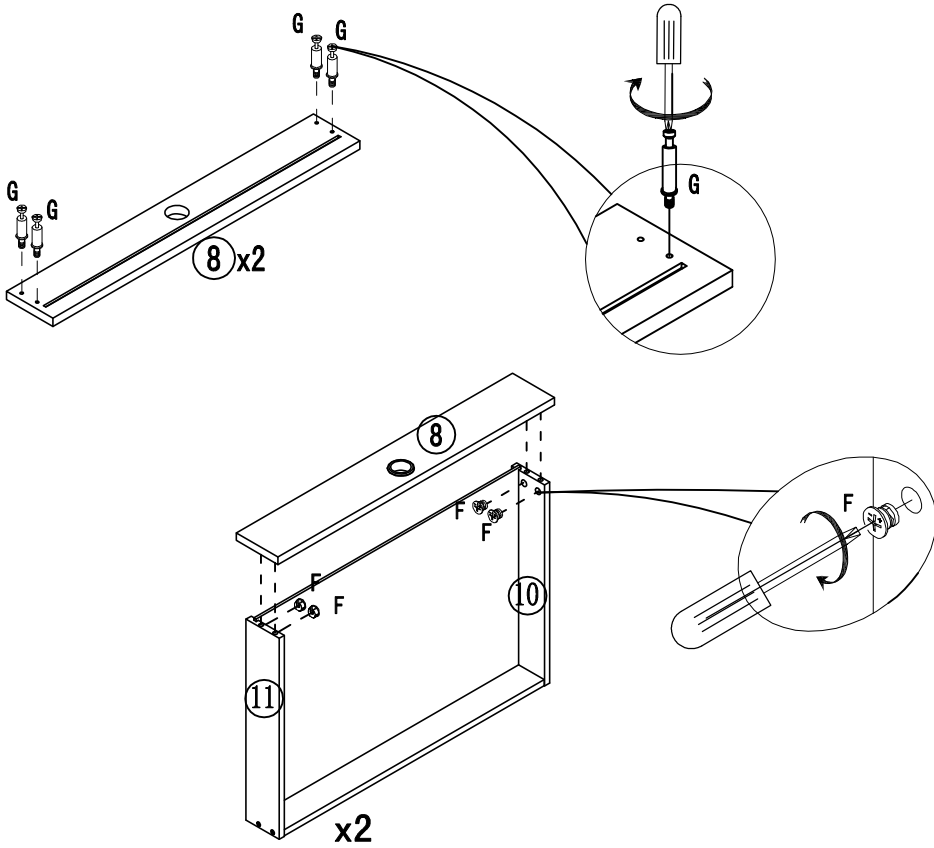
I		
<b>8PCS</b>		

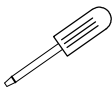


14



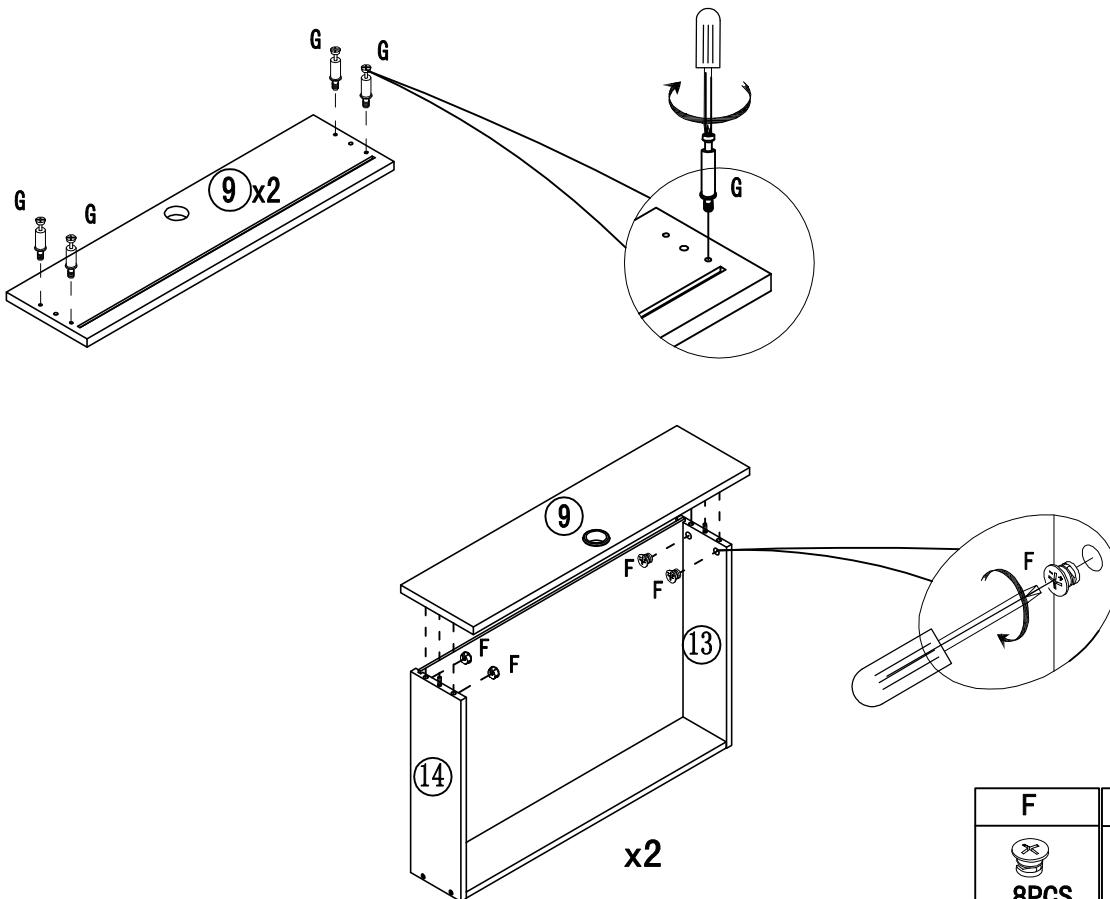
E	I	
		
<b>4PCS</b>	<b>8PCS</b>	




15



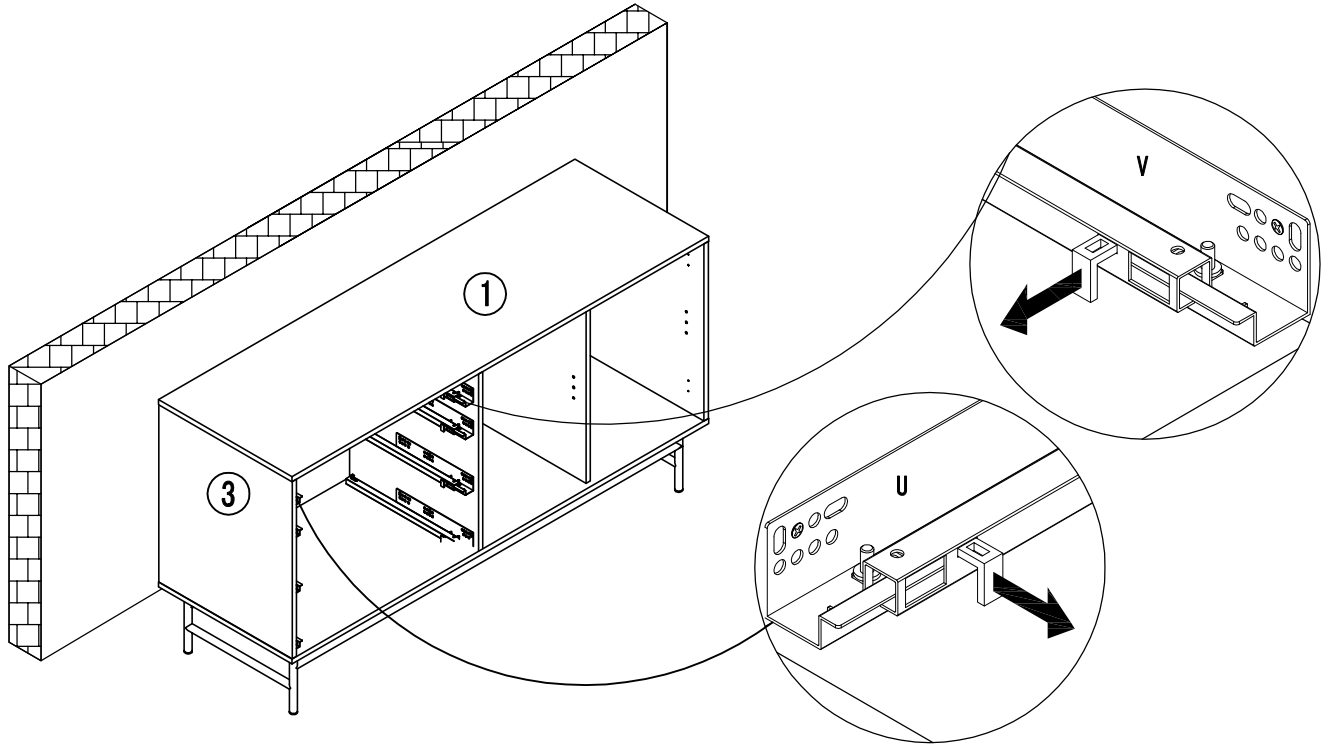
<b>F</b>	<b>G</b>	
 <b>8PCS</b>	 <b>8PCS</b>	

16

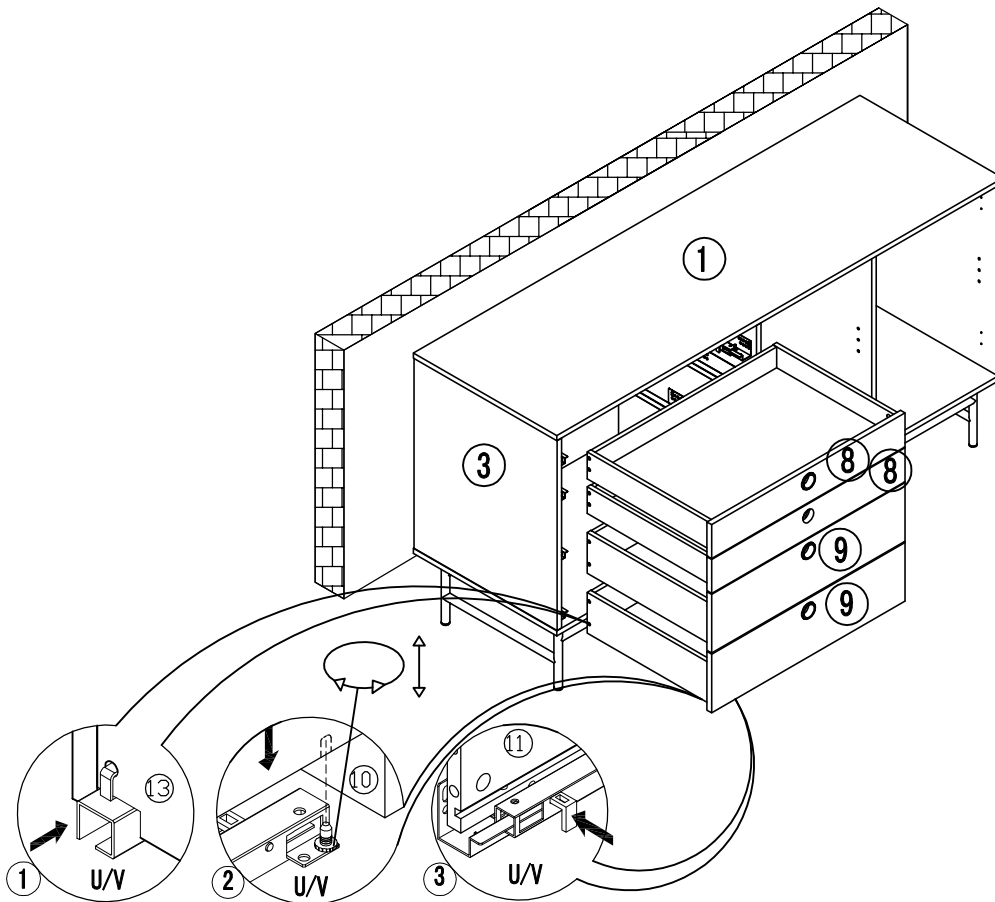


<b>F</b>	<b>G</b>	
 <b>8PCS</b>	 <b>8PCS</b>	

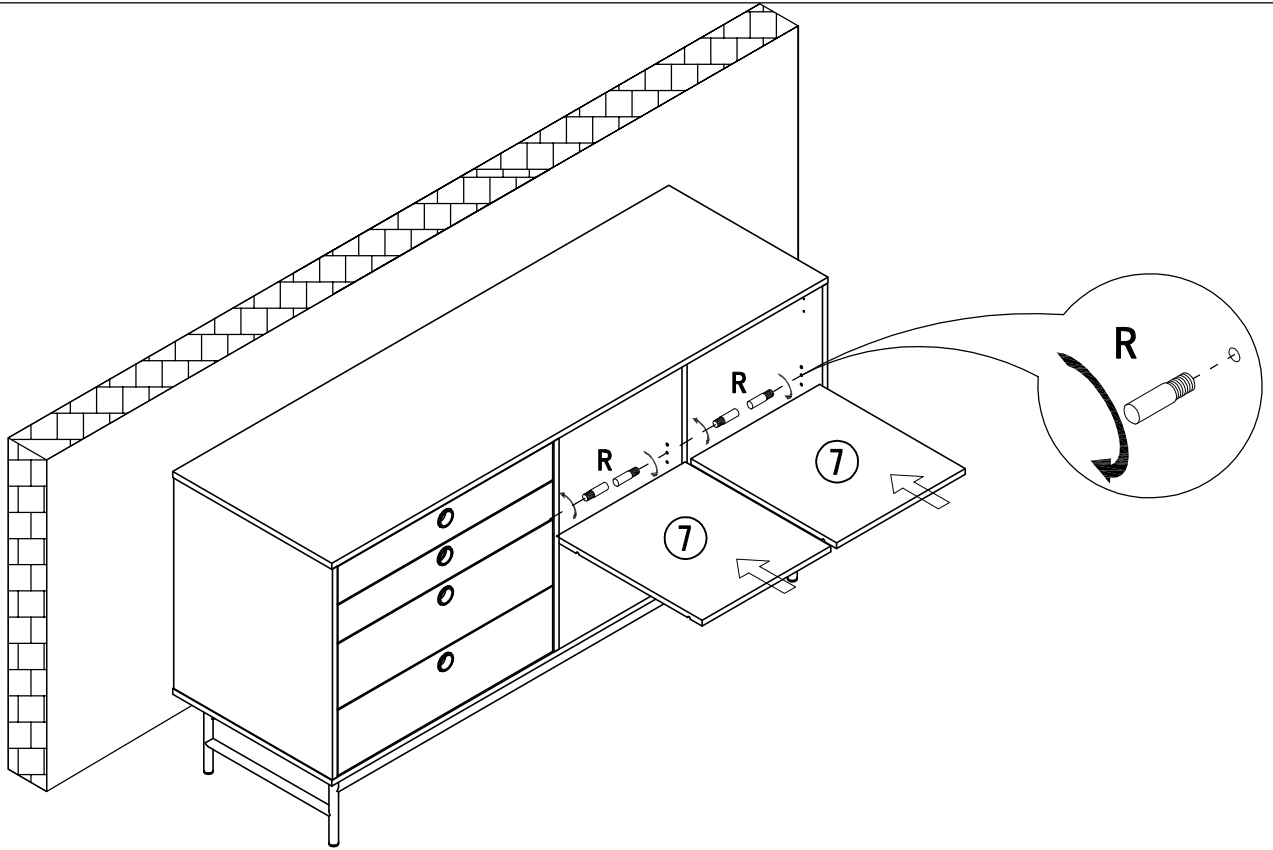
17




18

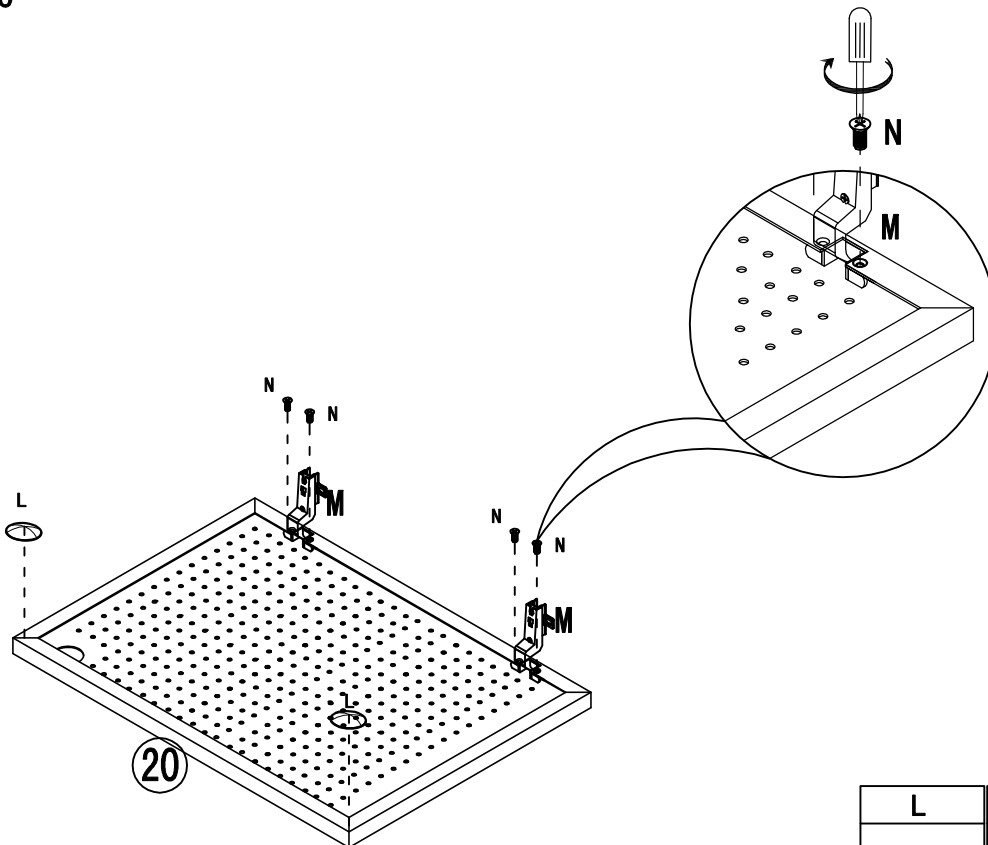


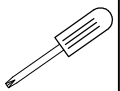



19



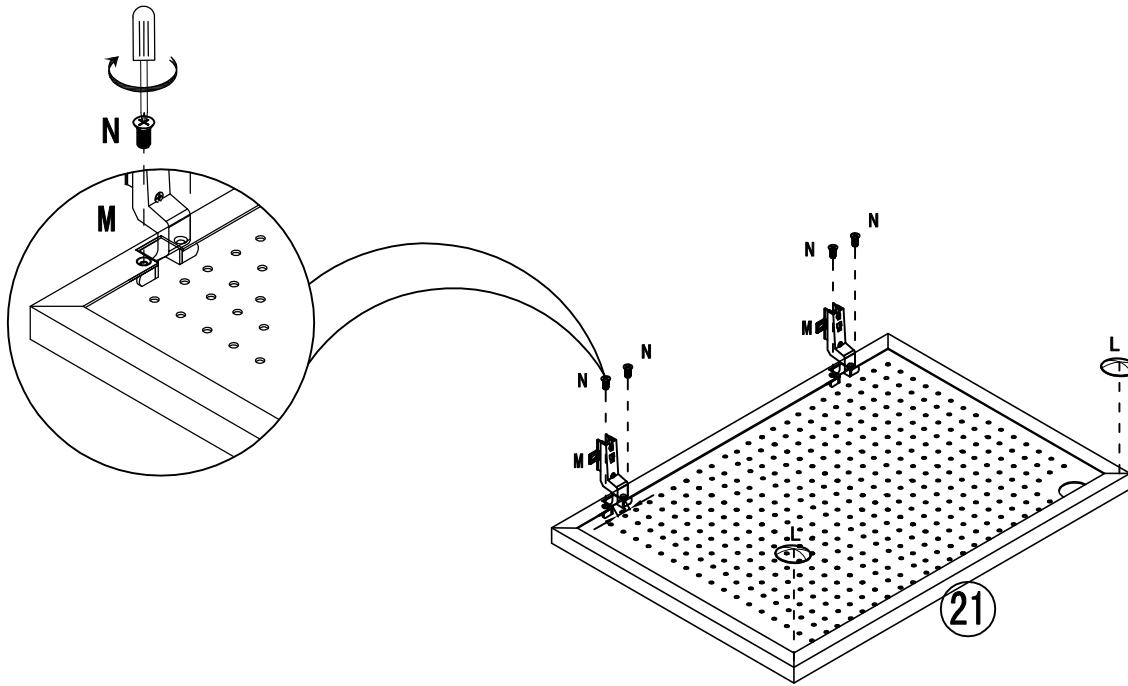
R

8PCS

20



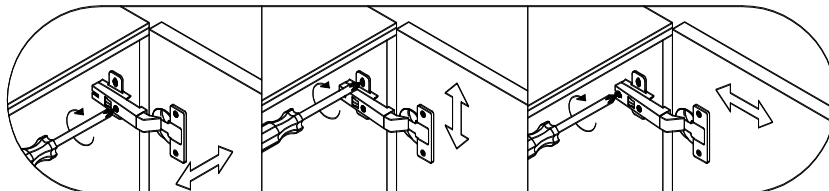
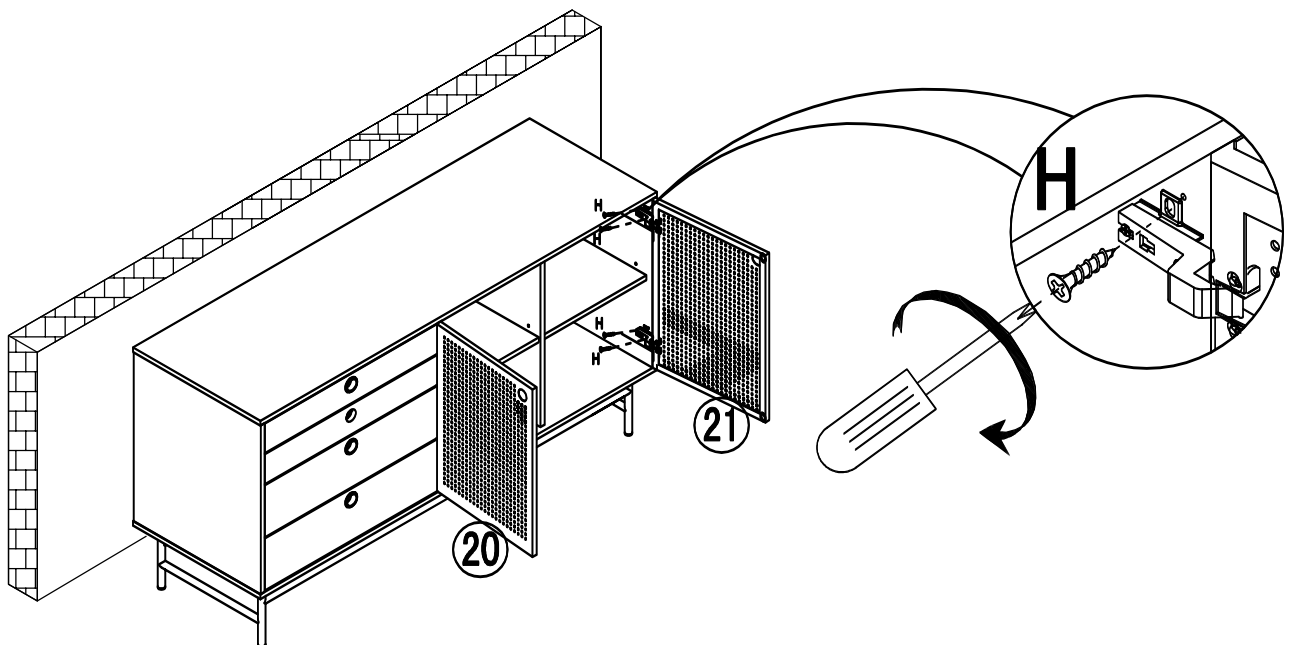
L	M	N	
			
2PCS	2PCS	4PCS	

21

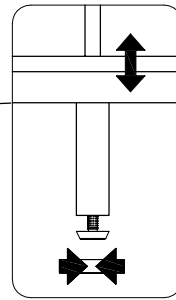
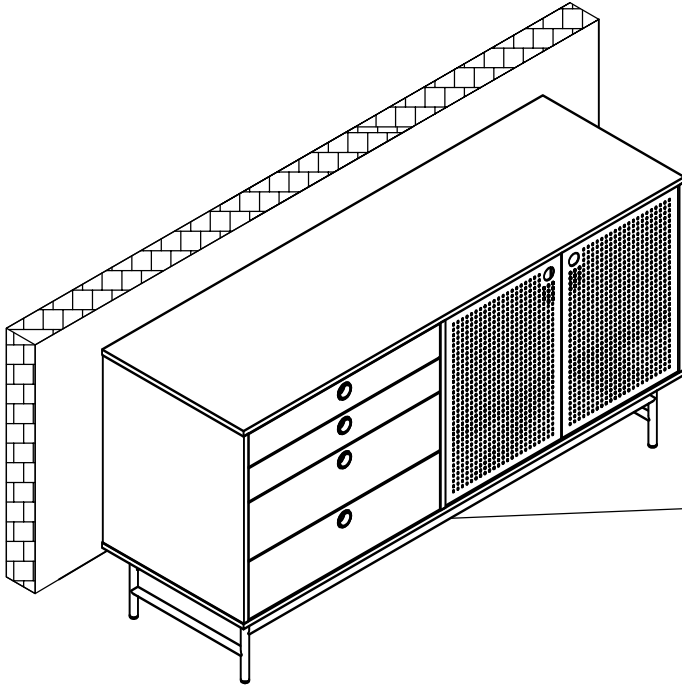


L	M	N	
2PCS	2PCS	4PCS	

22



H	
8PCS	



after assembled all, customer can adjust the plastic if the product not flat.

**Care instructions:**

Wipe clean with a soft cloth lightly dampened in a mild cleaner or water and then dry using a soft, dry cloth, to avoid any scratches or abrasions.

