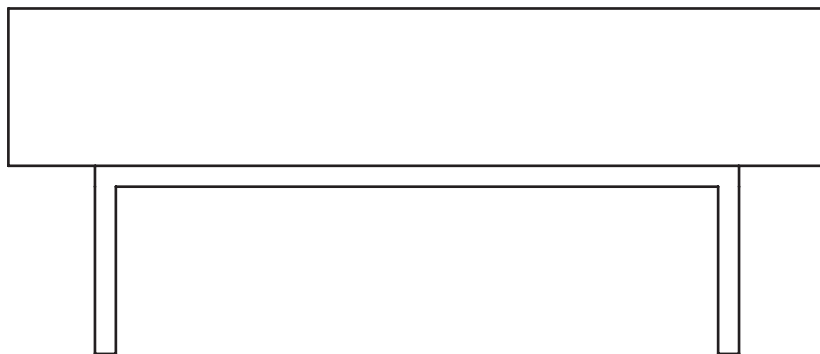


INSTRUCTION MANUAL

---

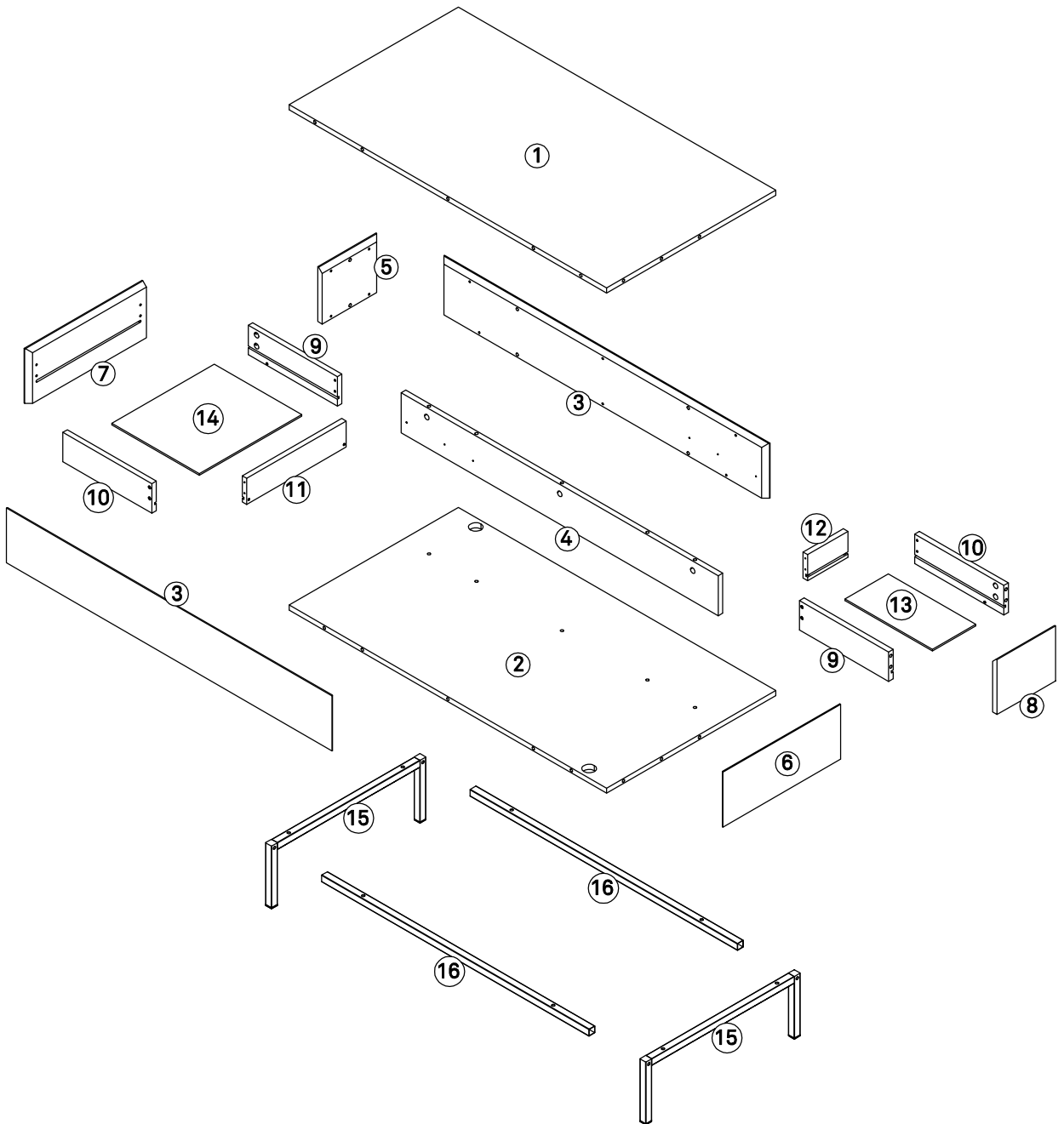
# ARISTA. COFFEE TABLE



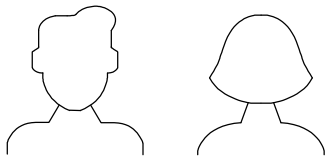
By Cambres Design

**teulat**

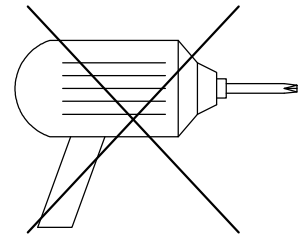
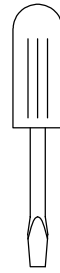
[www.teulat.es](http://www.teulat.es)



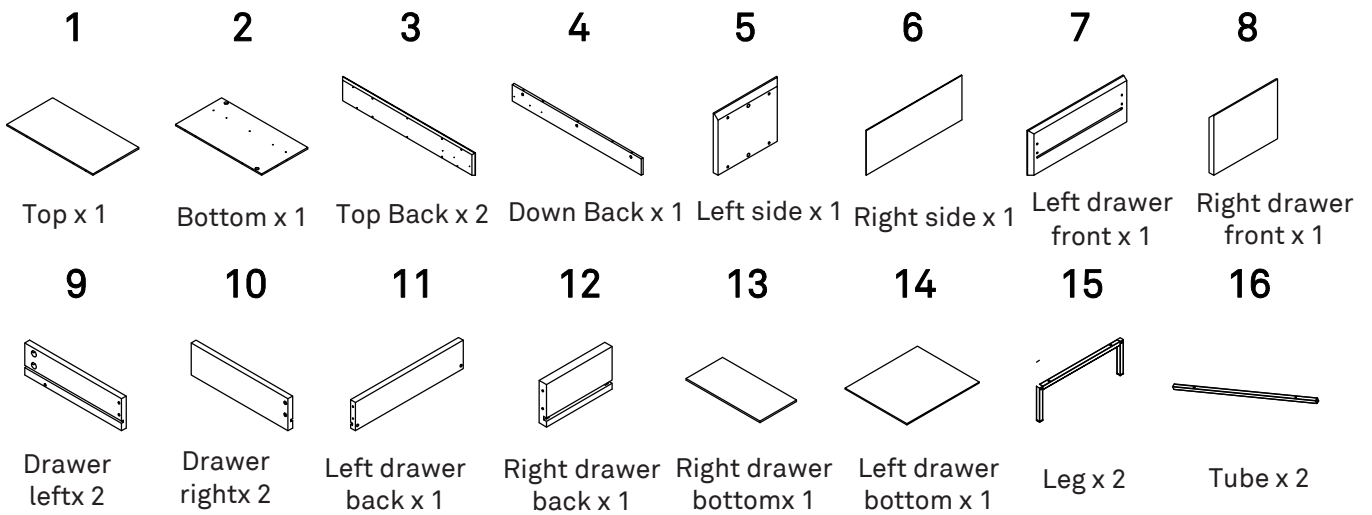
## Needed for assembling



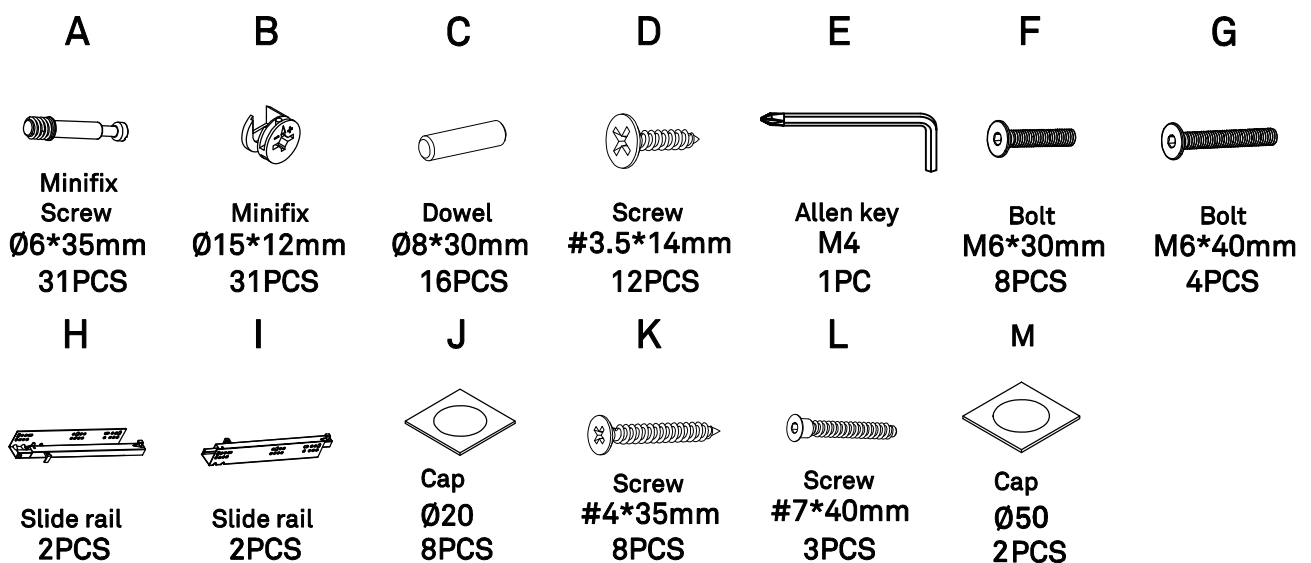
Min. two persons



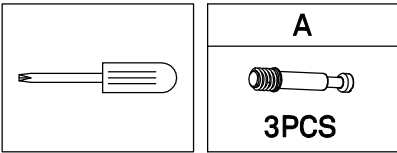
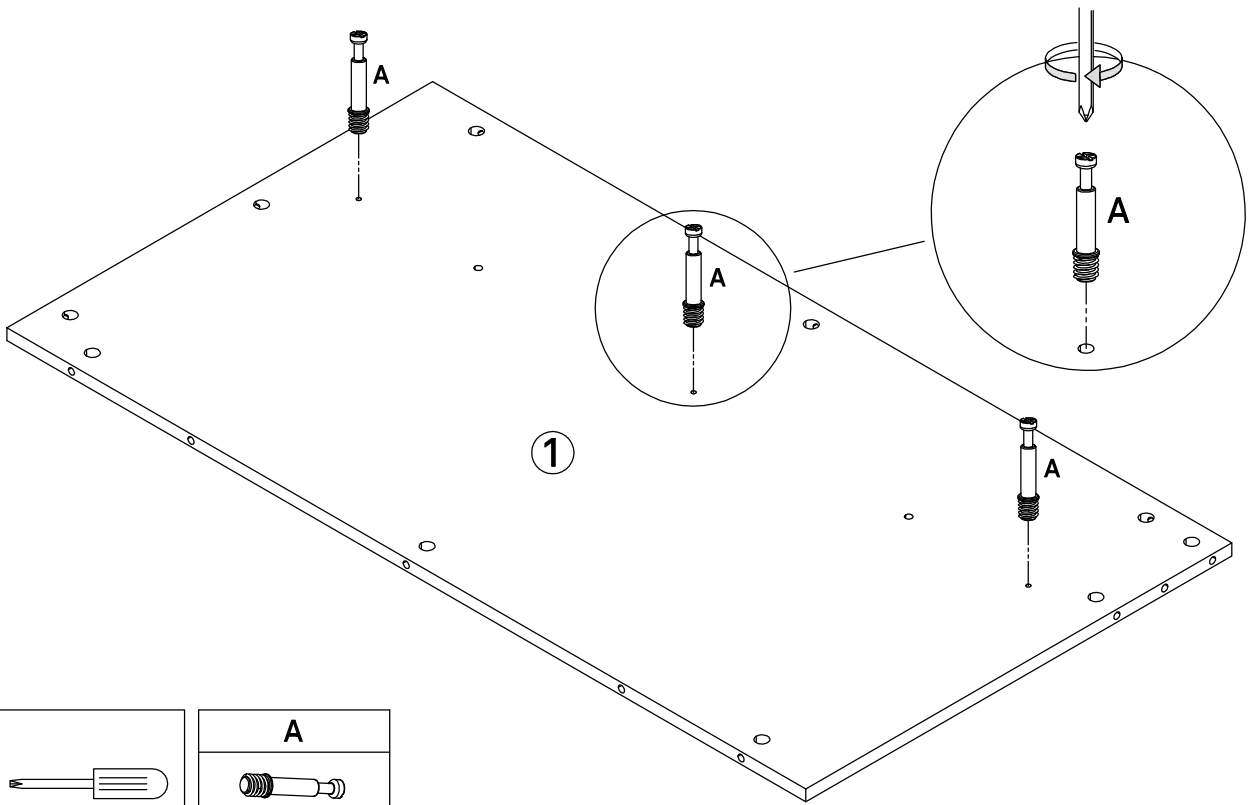
## Content of the boxes



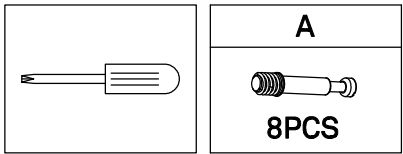
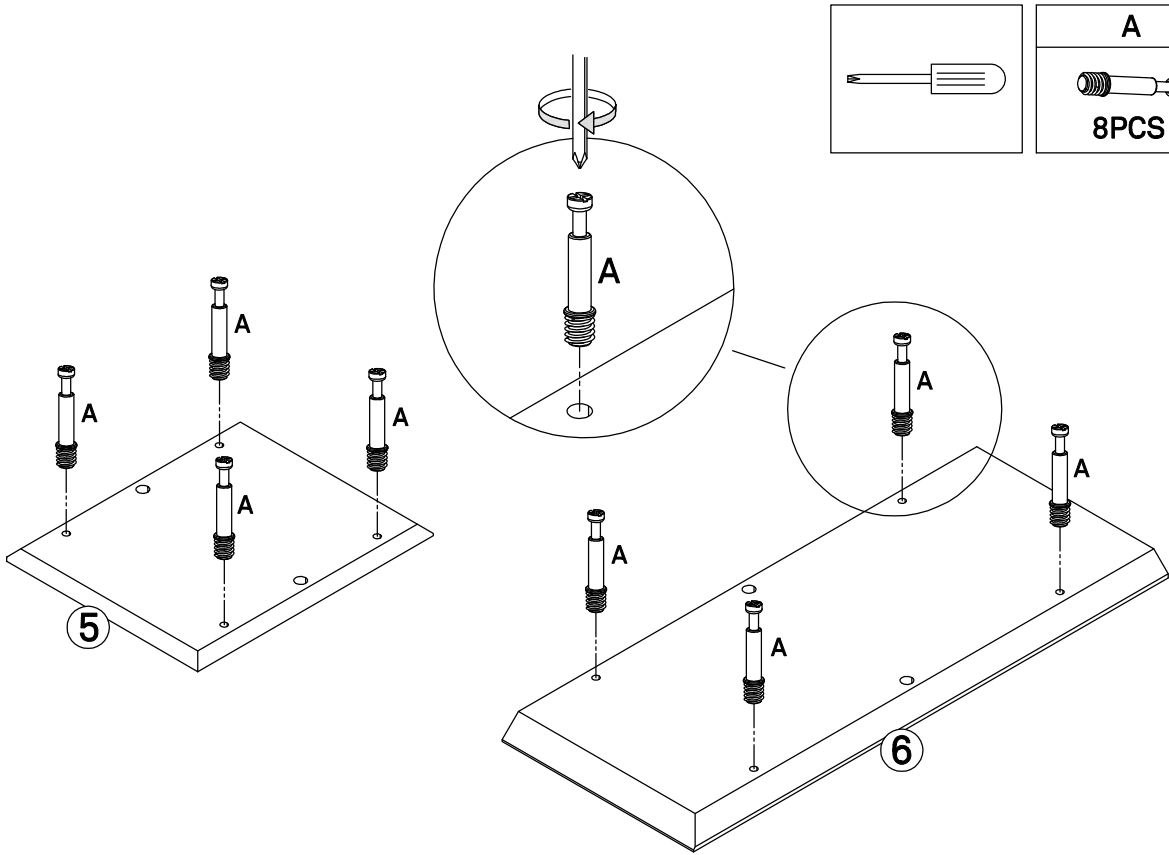
## Content of the boxes



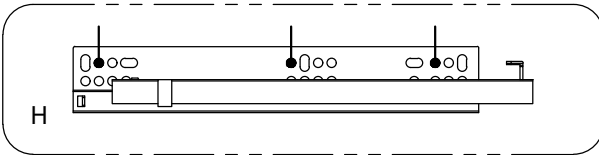
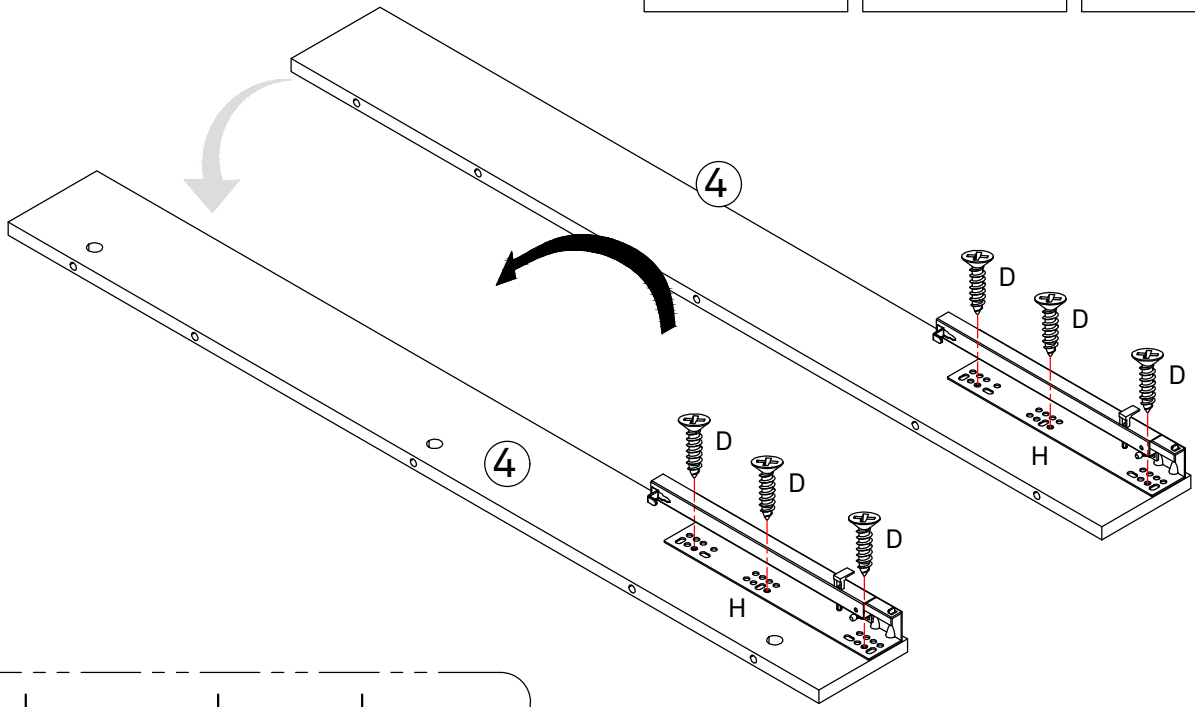
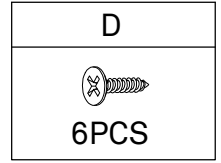
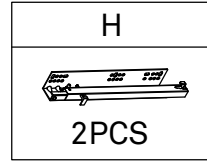
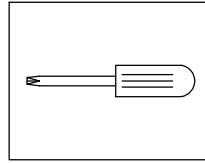
1



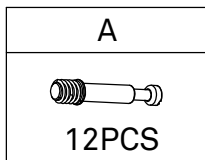
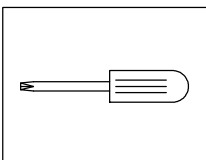
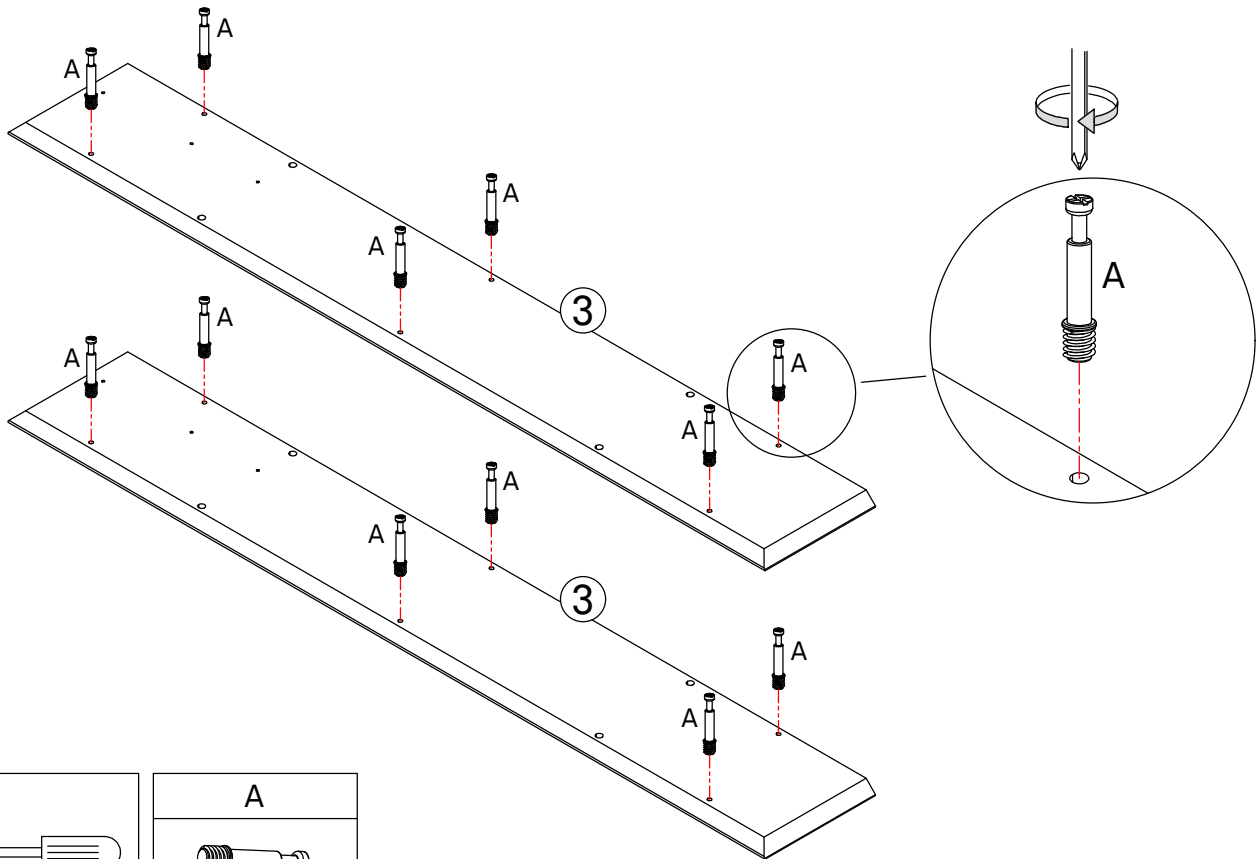
2



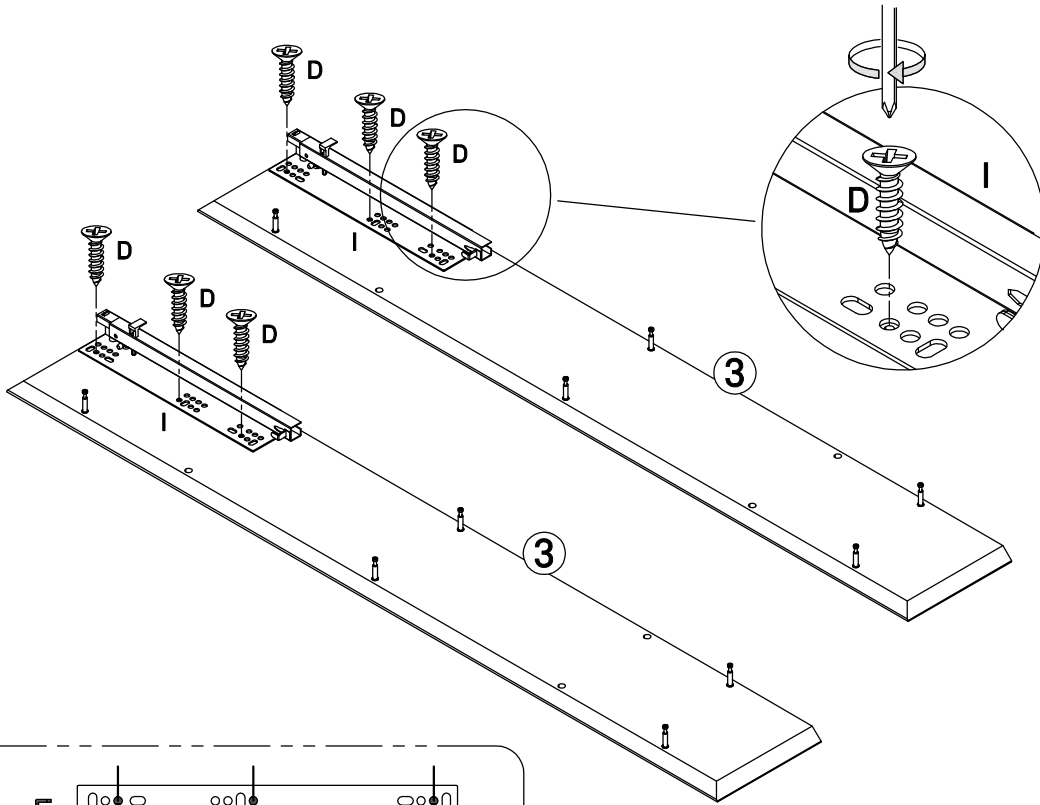
3

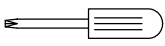




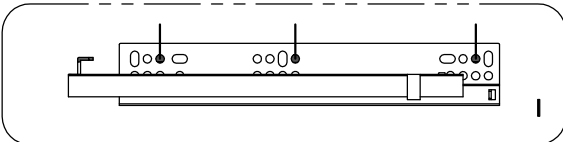
4



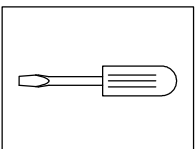
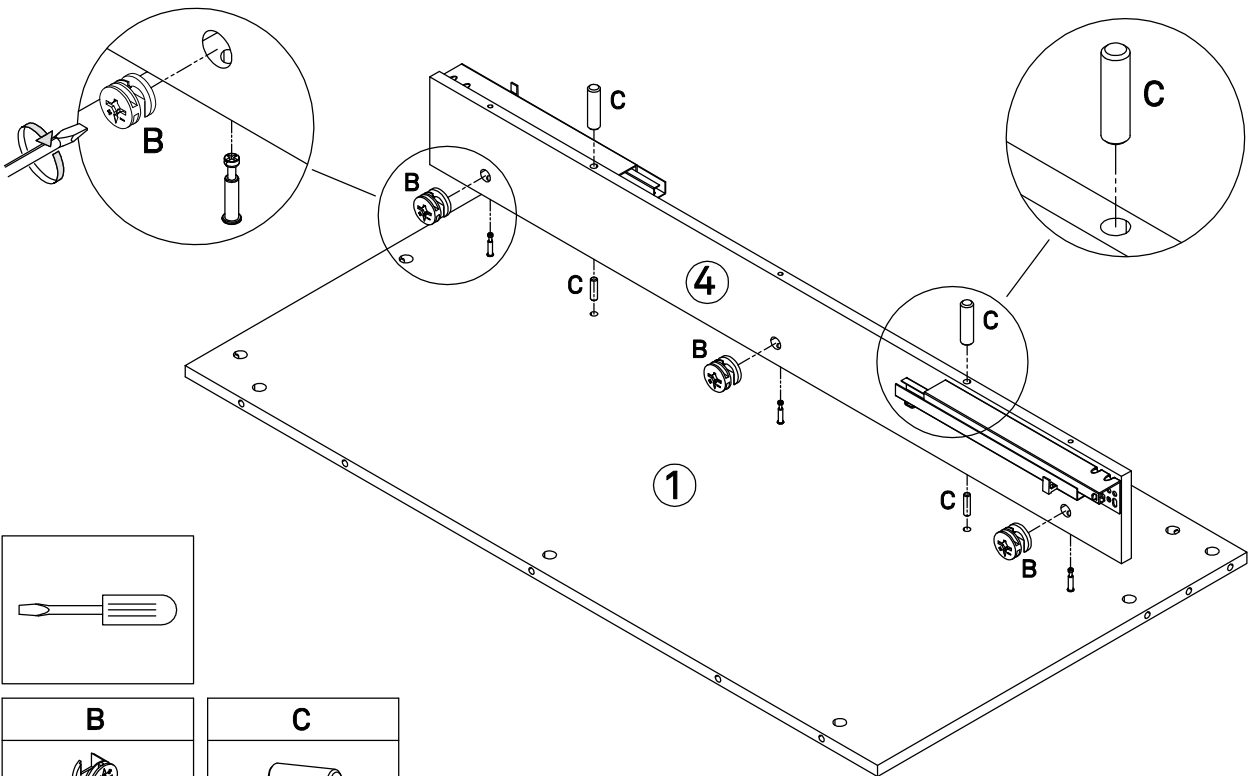
5






<b>I</b>  2PCS
<b>D</b>  6PCS



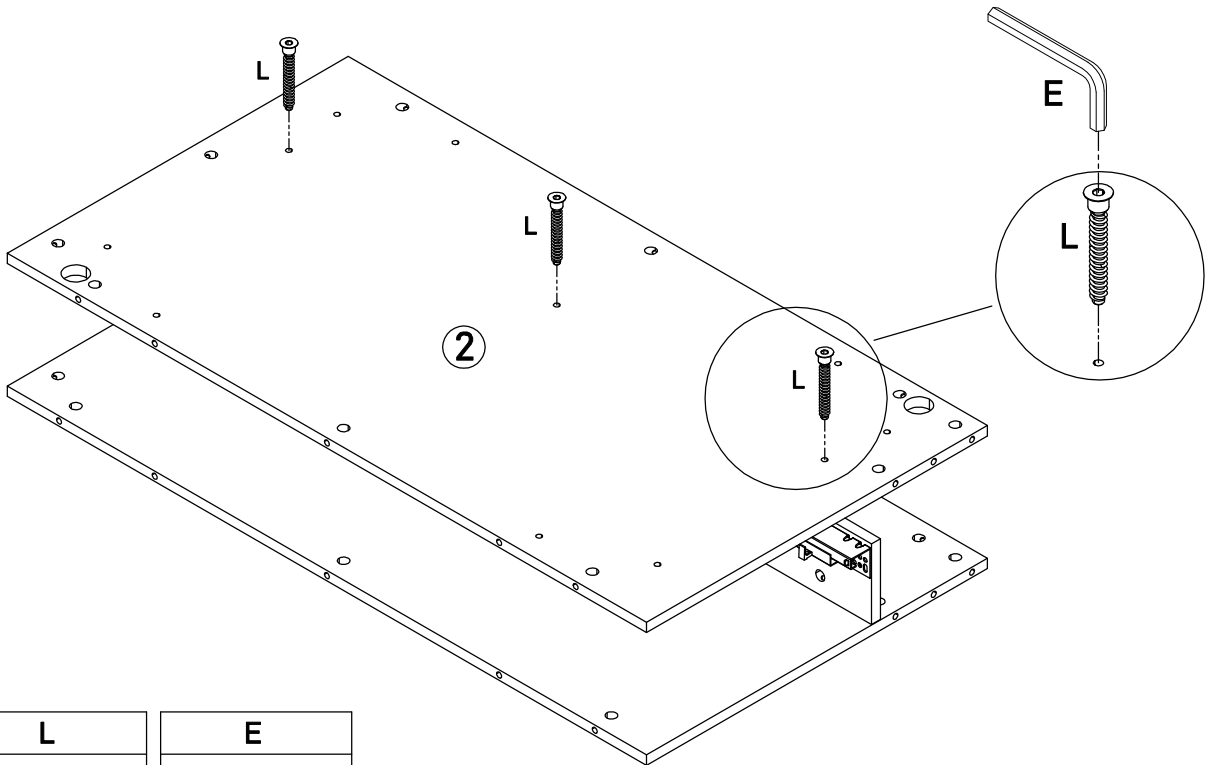
6





<b>B</b>  3PCS
---

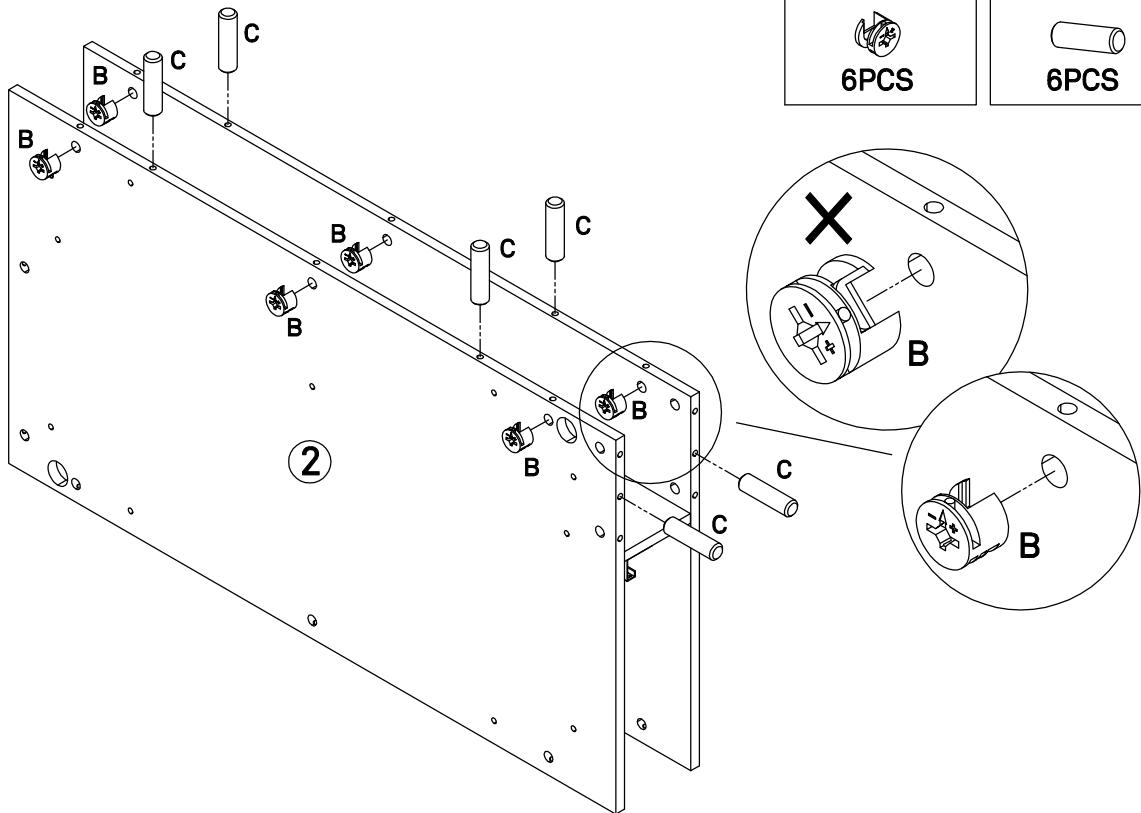
<b>C</b>  4PCS
---



7



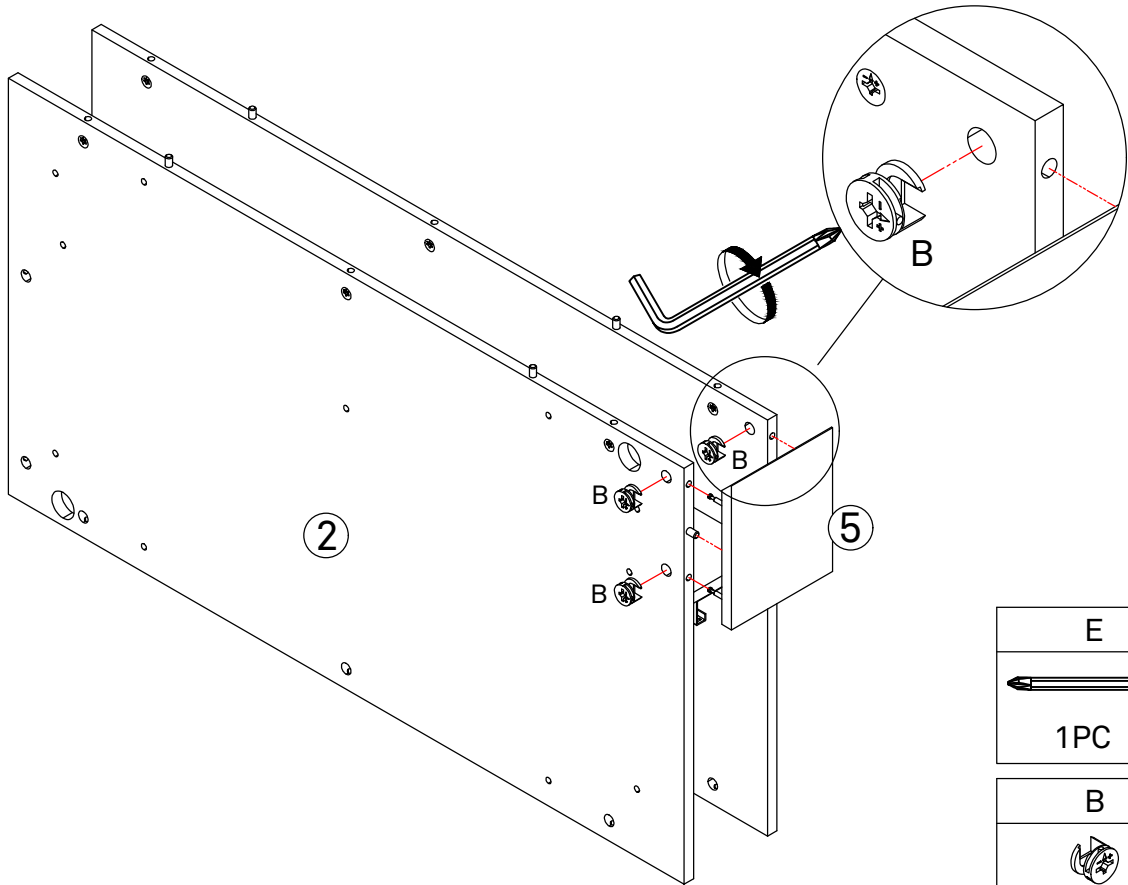
<b>L</b>	<b>E</b>
	
<b>3PCS</b>	<b>1PC</b>

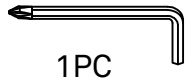

8



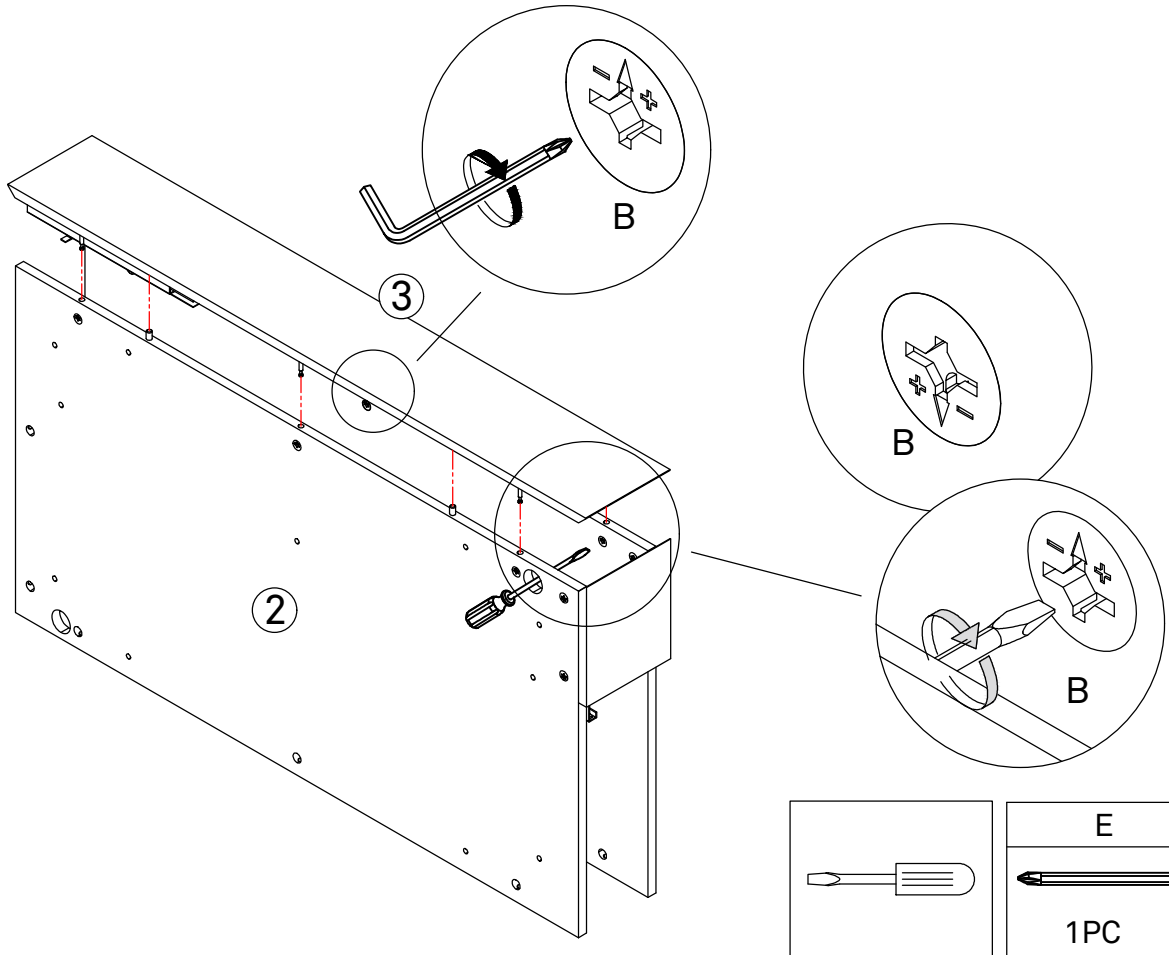
<b>B</b>	<b>C</b>
	
<b>6PCS</b>	<b>6PCS</b>

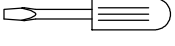

9



E

1PC
B

4PCS

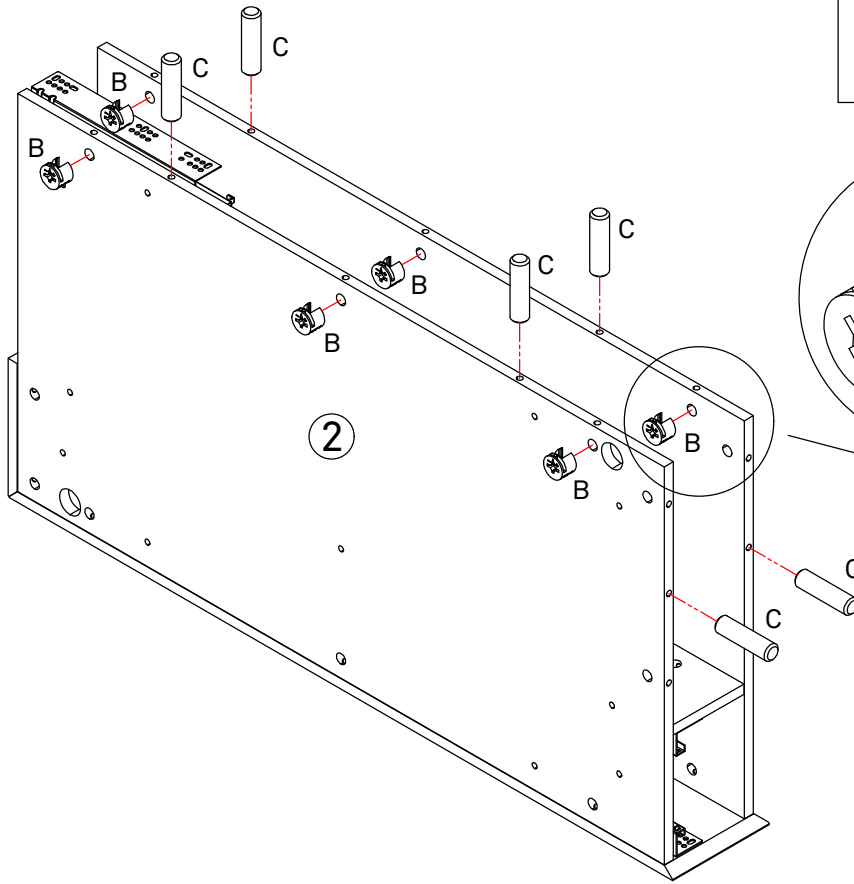
10





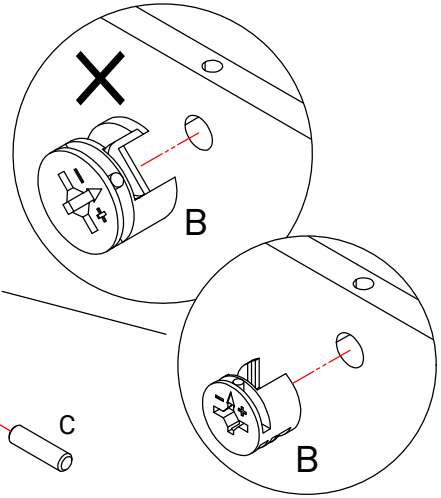
	E
	
	1PC



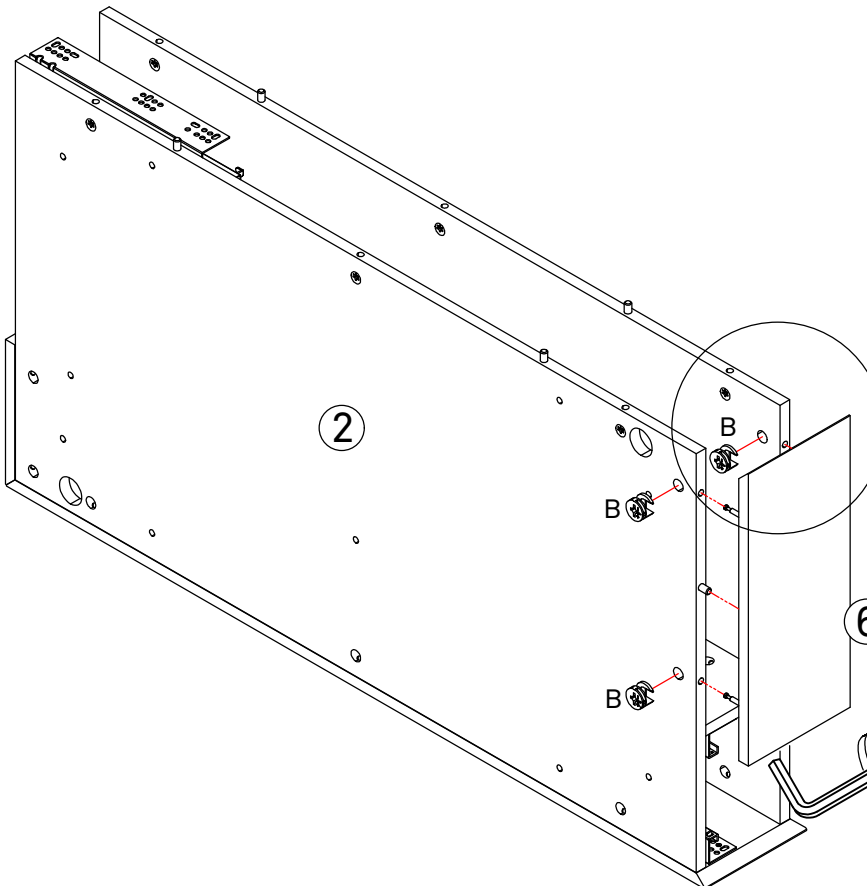
11





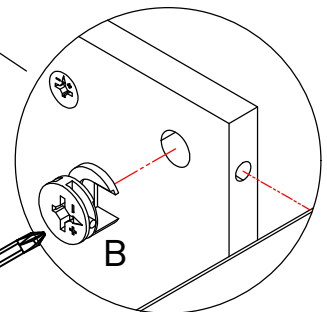
B	C
	
6PCS	6PCS



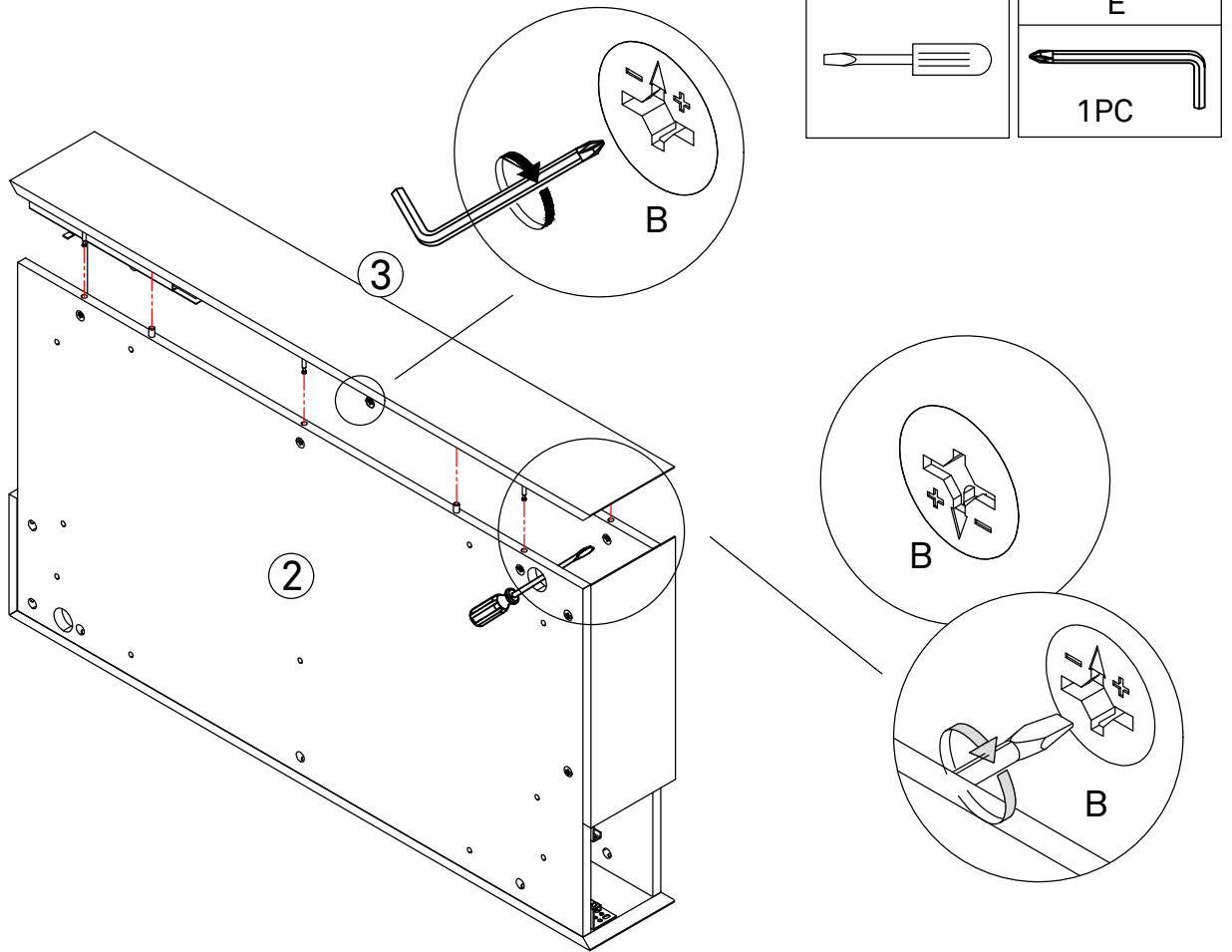
12



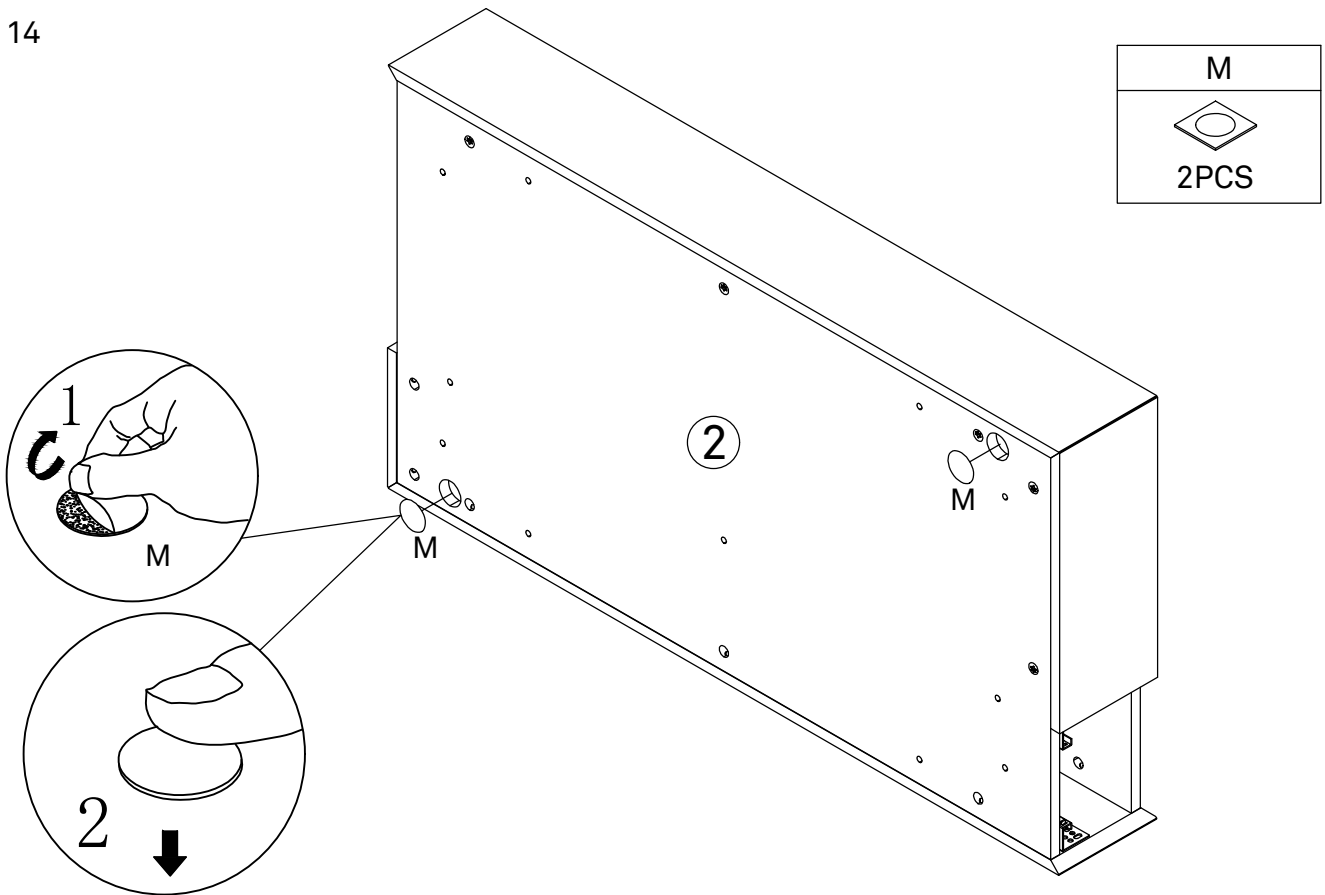
E

1PC
B

4PCS



13



14



15

G

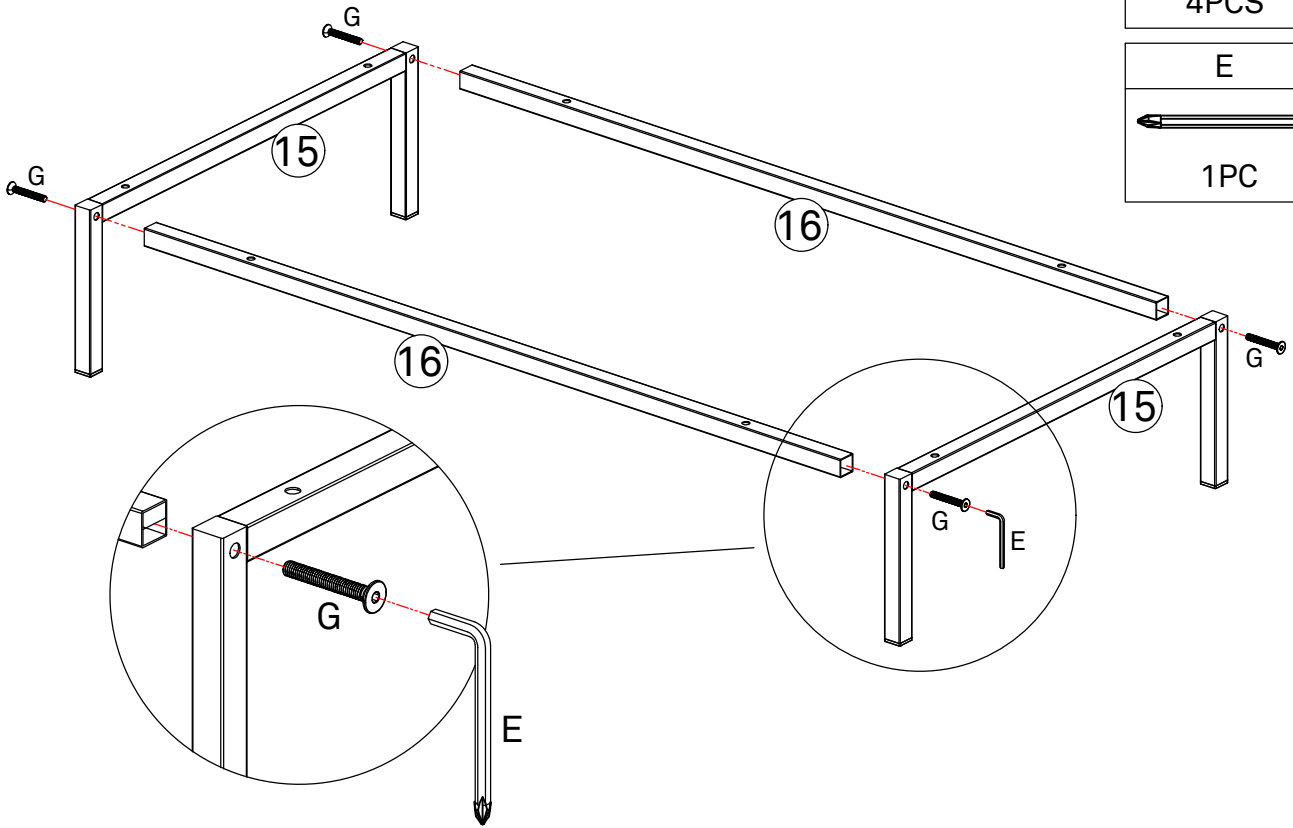


4PCS

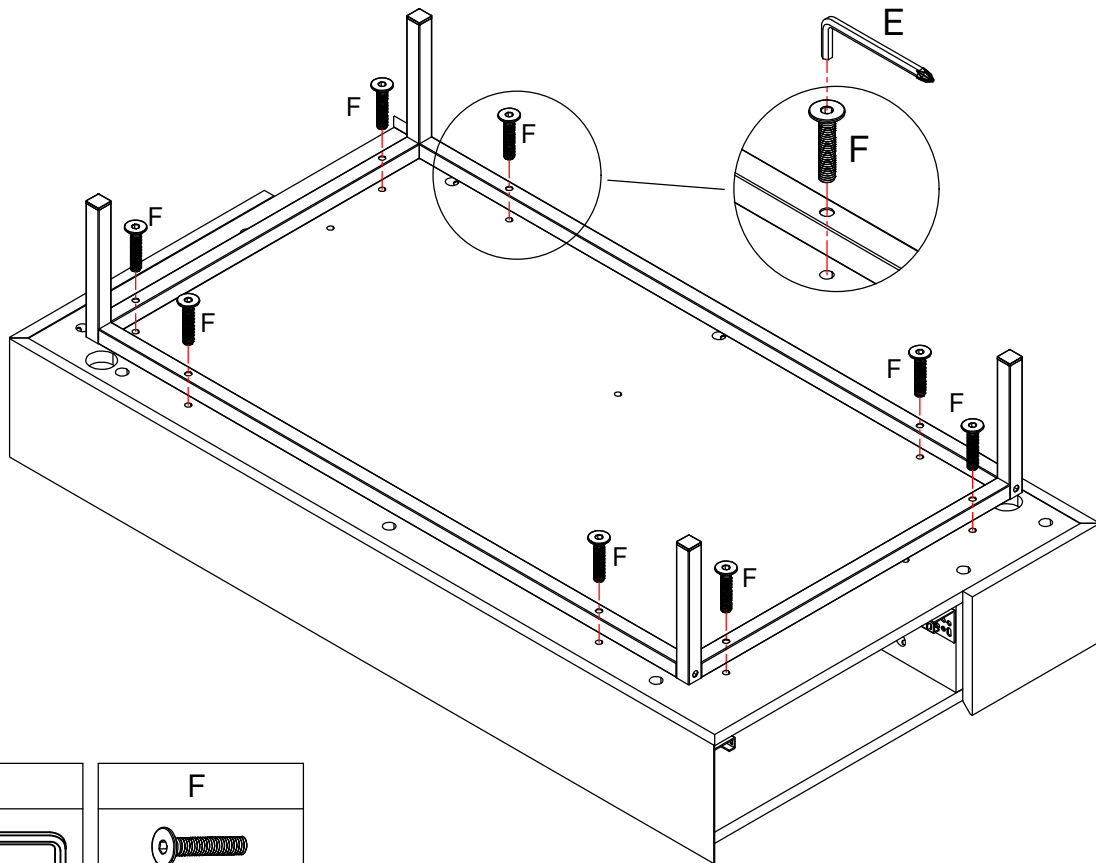
E



1PC



16



E



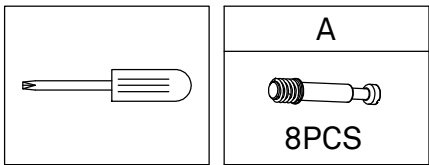
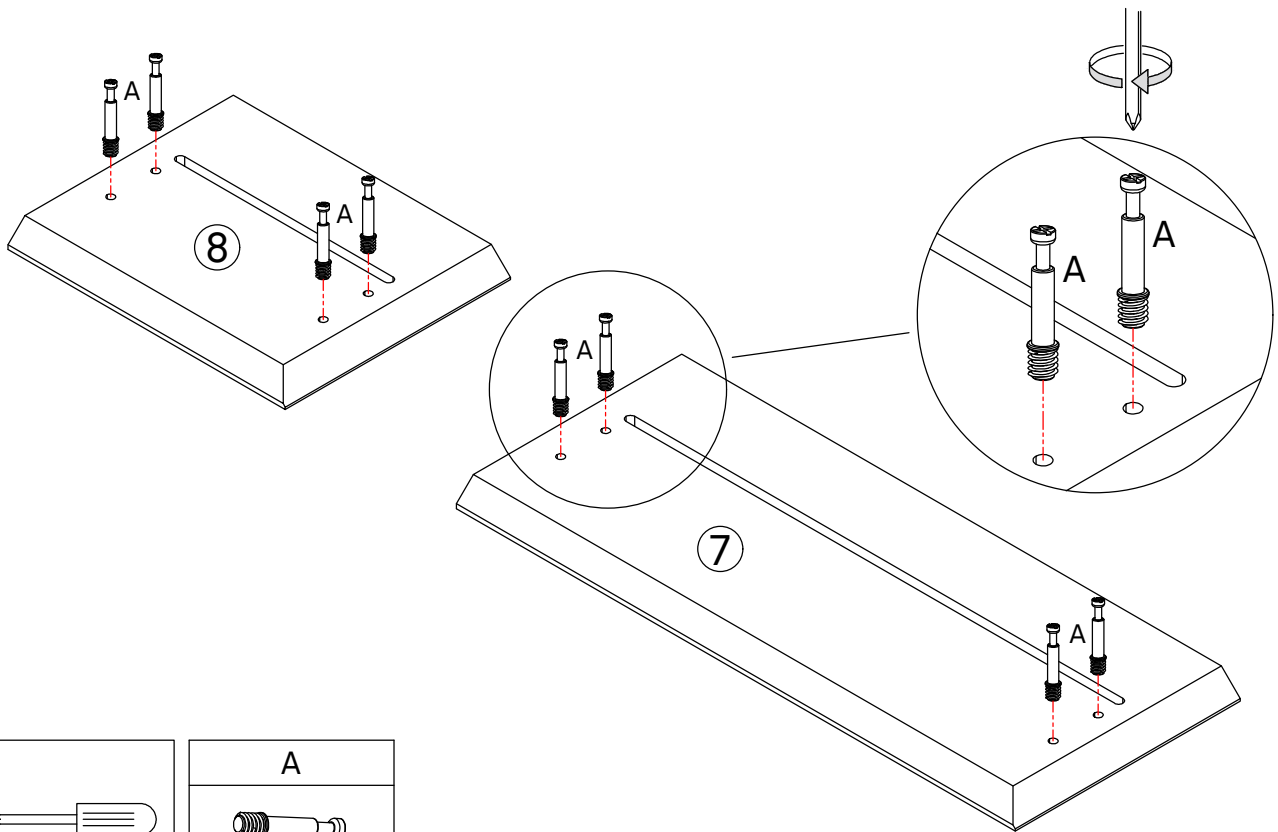
1PC

F

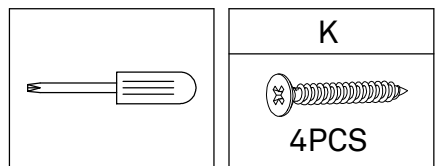
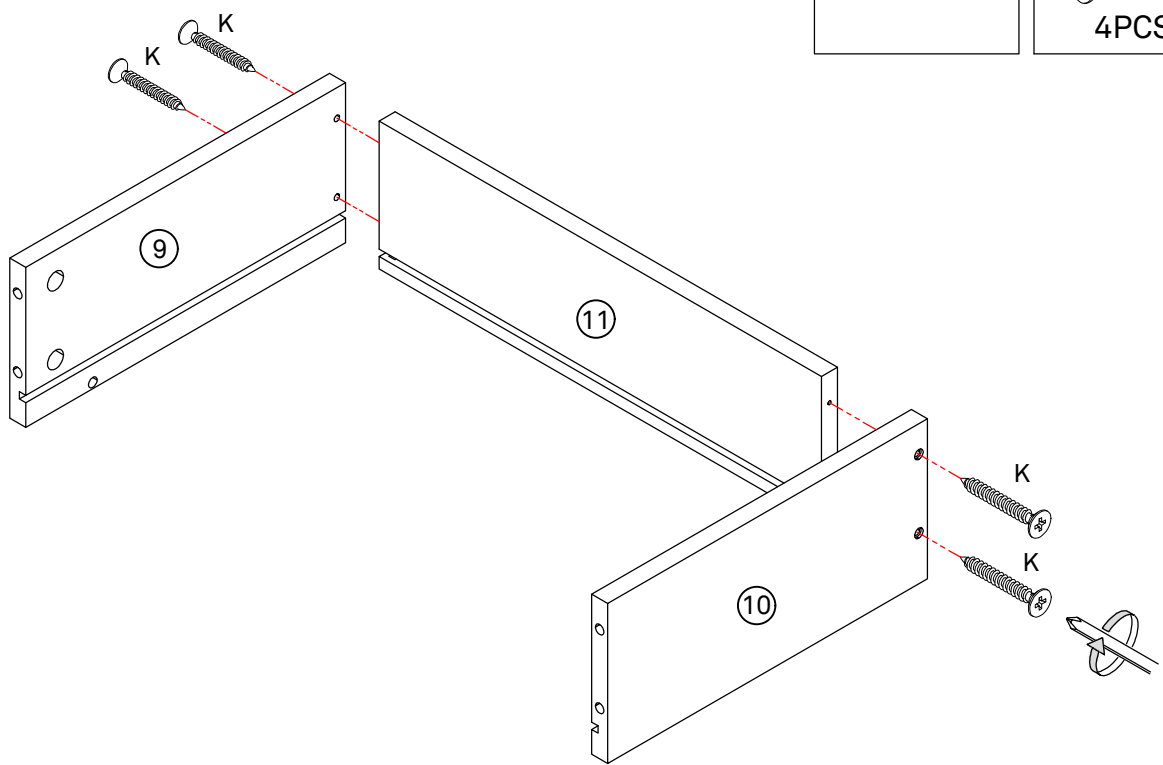


8PCS

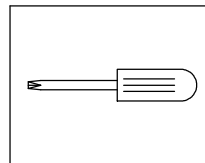
17




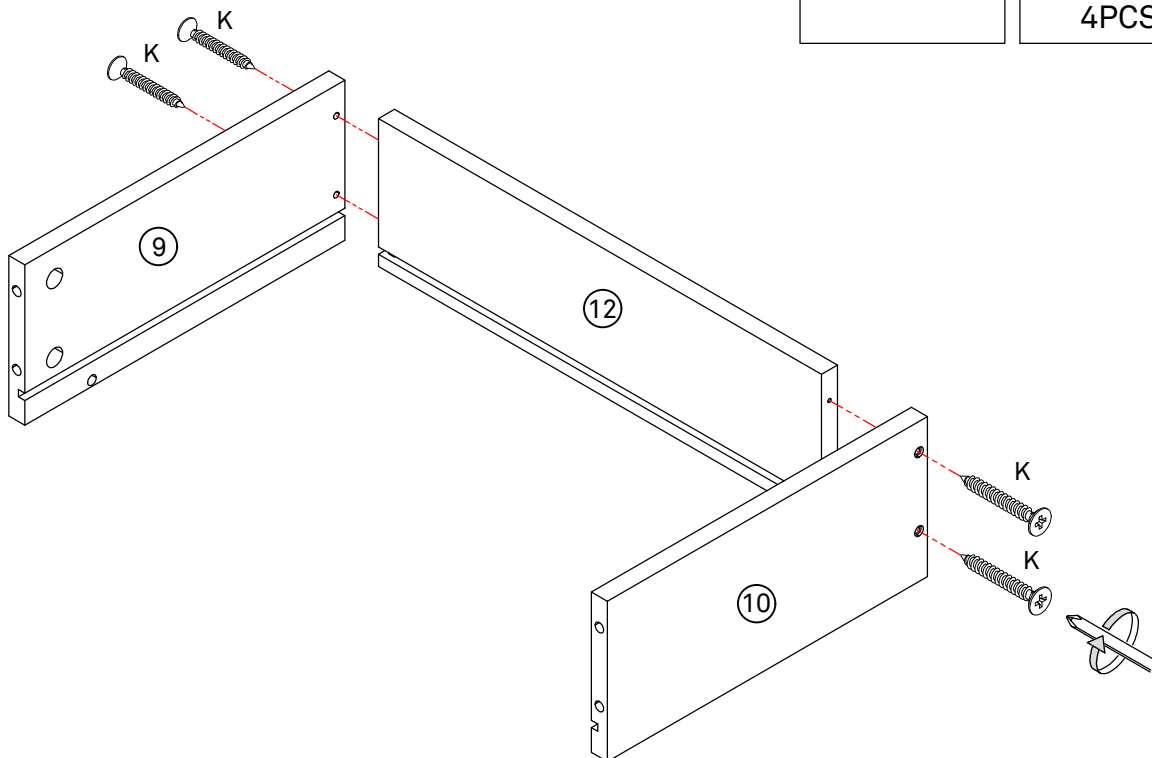
18



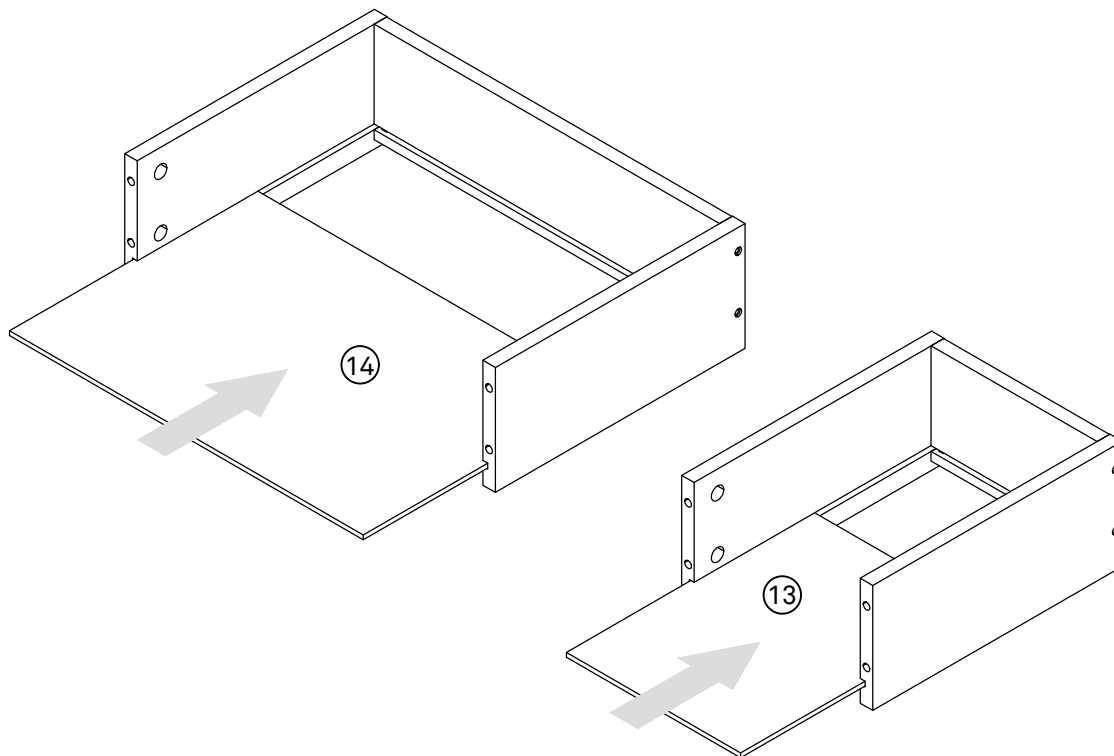
19



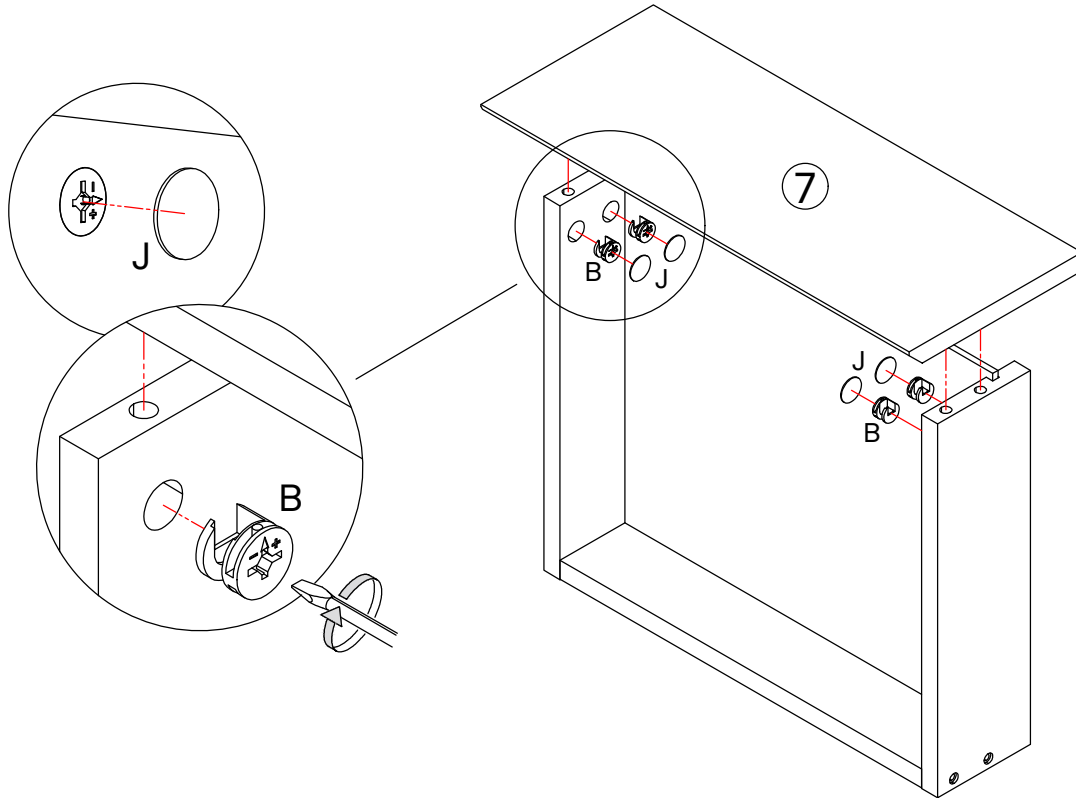
K

4PCS

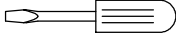




20

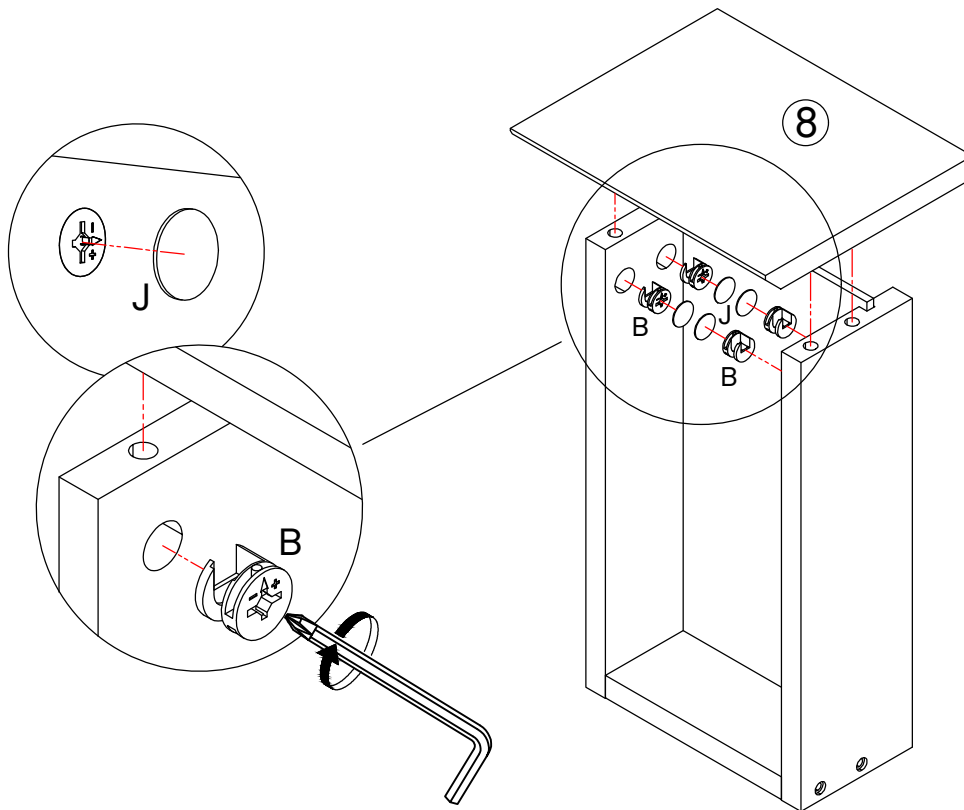





21



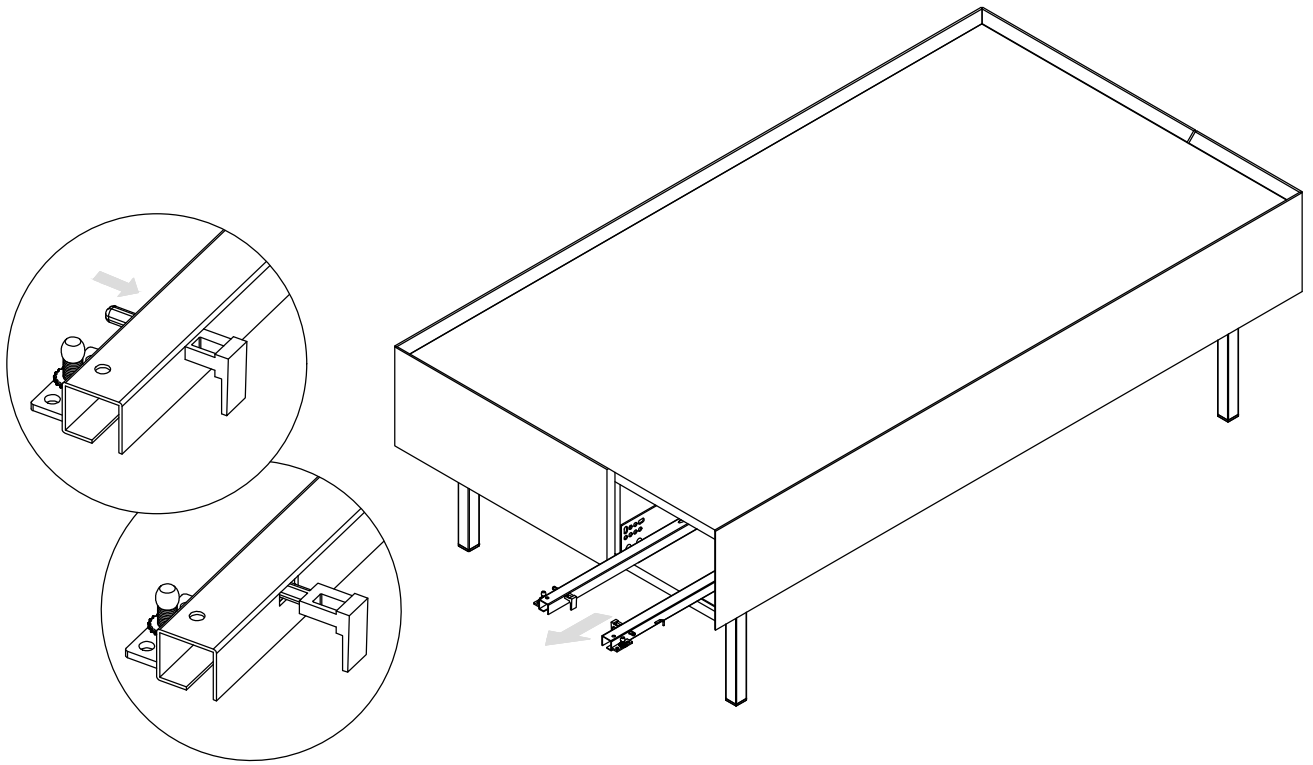
	<b>B</b>  4PCS	<b>J</b>  4PCS
--	--	--

22

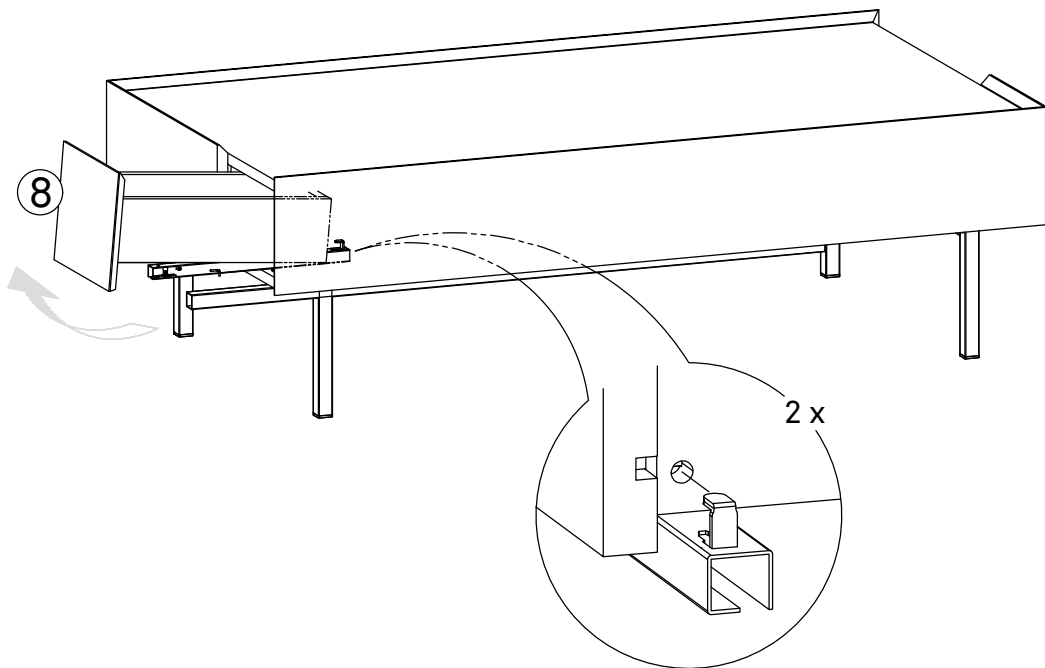


<b>E</b>  1PC	<b>B</b>  4PCS	<b>J</b>  4PCS
--	---	---

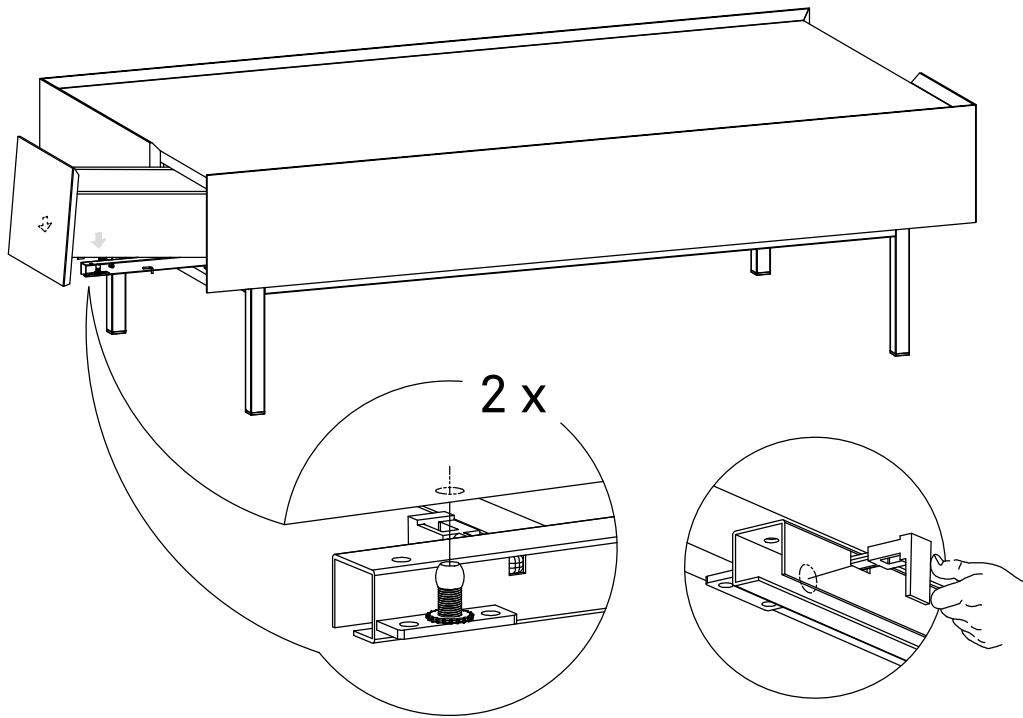
23



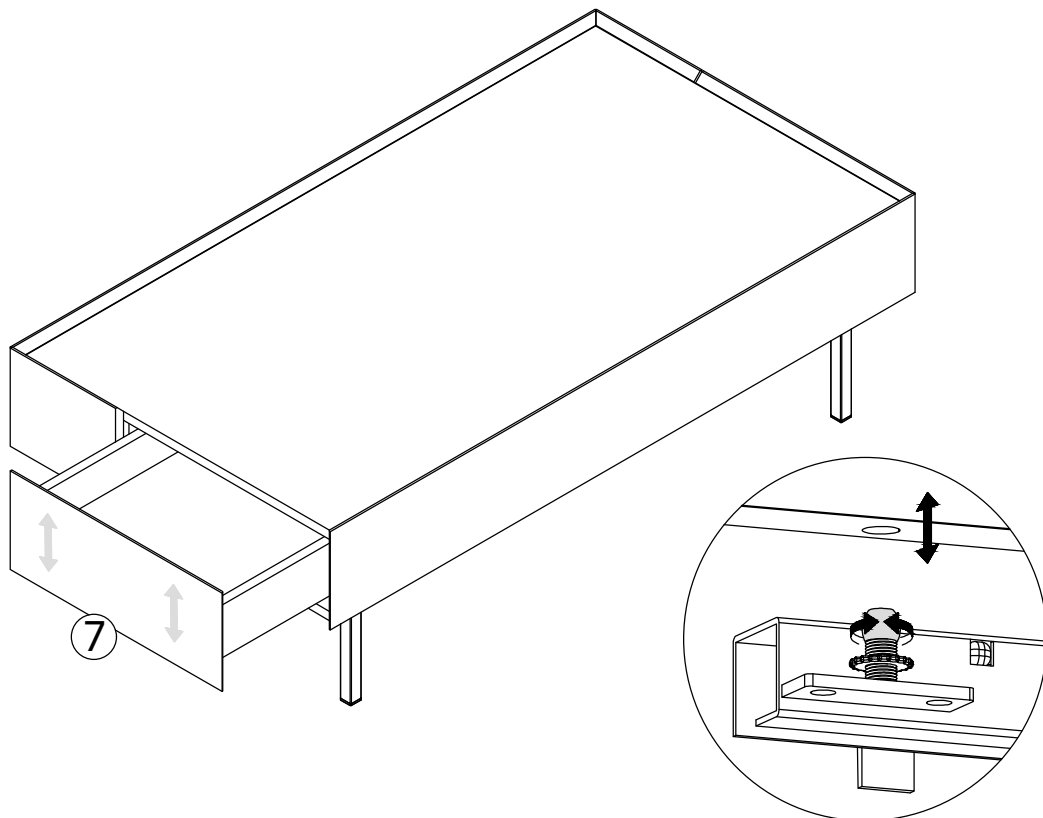
24



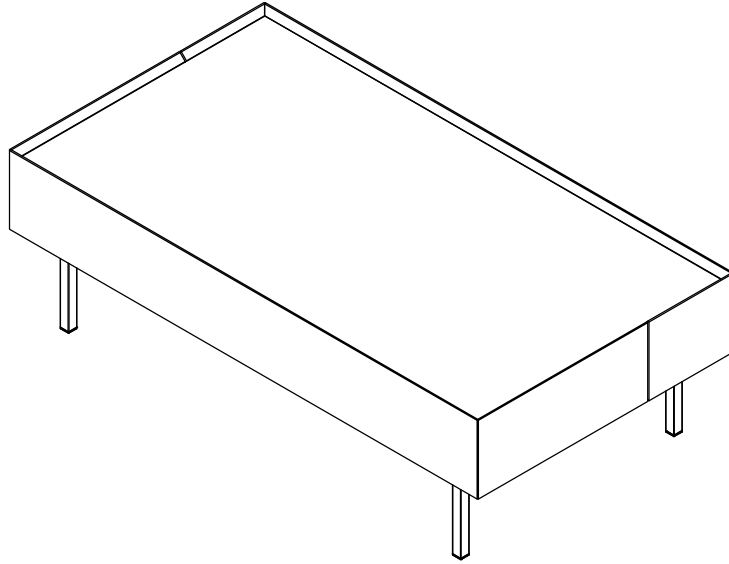
25



26







**Care instructions:**

Wipe clean with a soft cloth lightly dampened in a mild cleaner or water and then dry using a soft, dry cloth, to avoid any scratches or abrasions.

