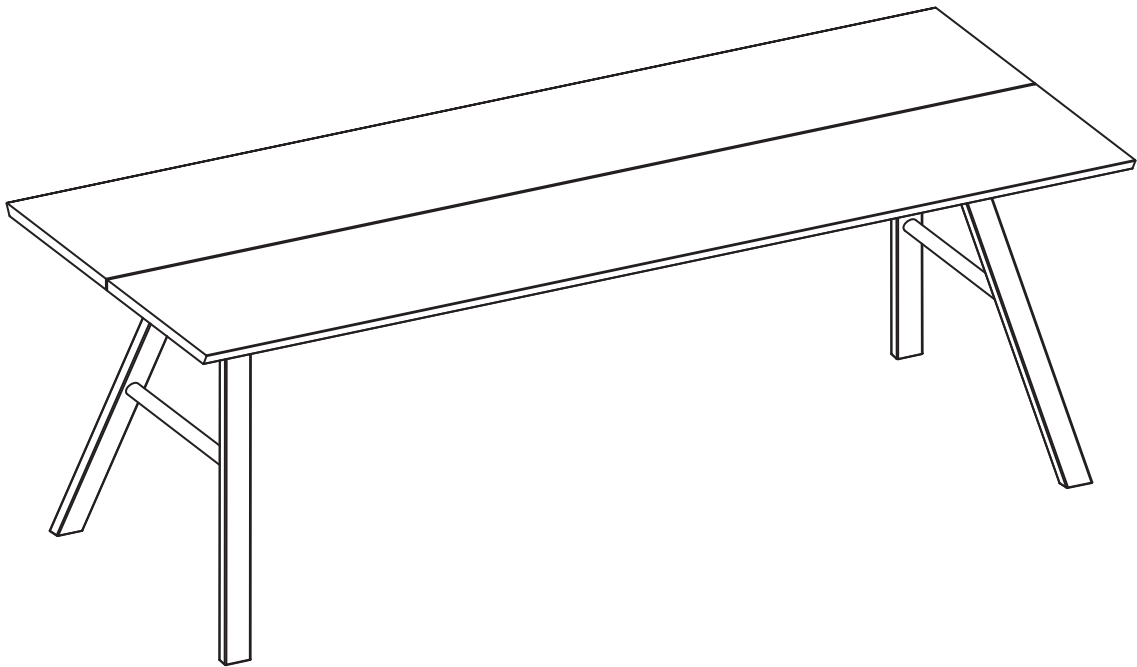


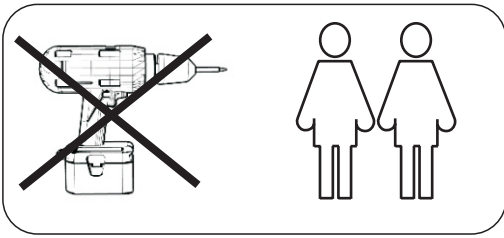
ASSEMBLY INSTRUCTION

# BRIGHAM DINING TABLE



**ROWICO**

H O M E



Ax1 	Ex4  M8×60
Bx2 	Fx8  M6×65
Cx2 	Gx1  N4
Dx24  M6×20	Hx1  N5

