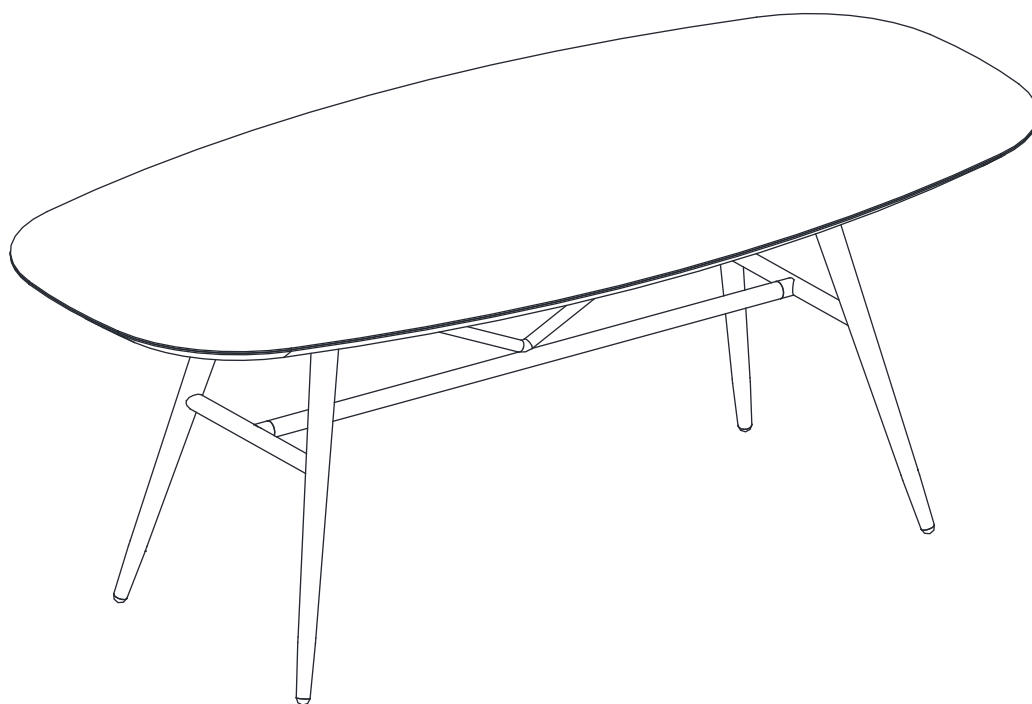


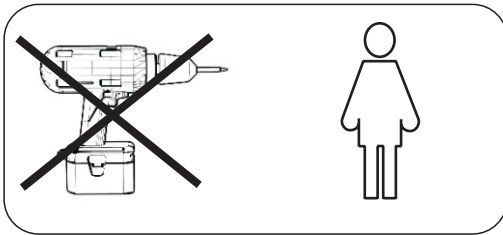
ASSEMBLY INSTRUCTION


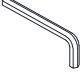

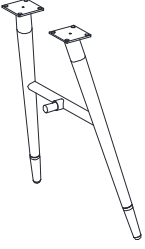
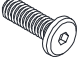
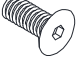
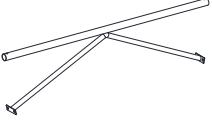




SPRINGDALE DINING TABLE



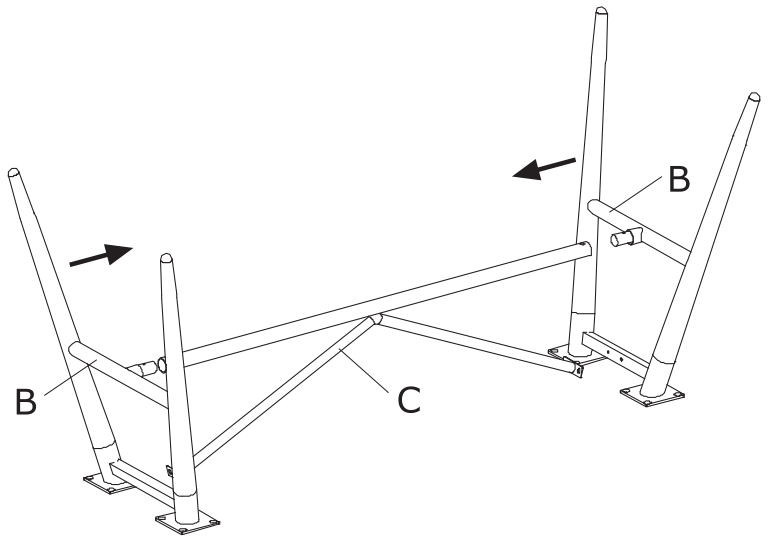
ROWICO

HOME

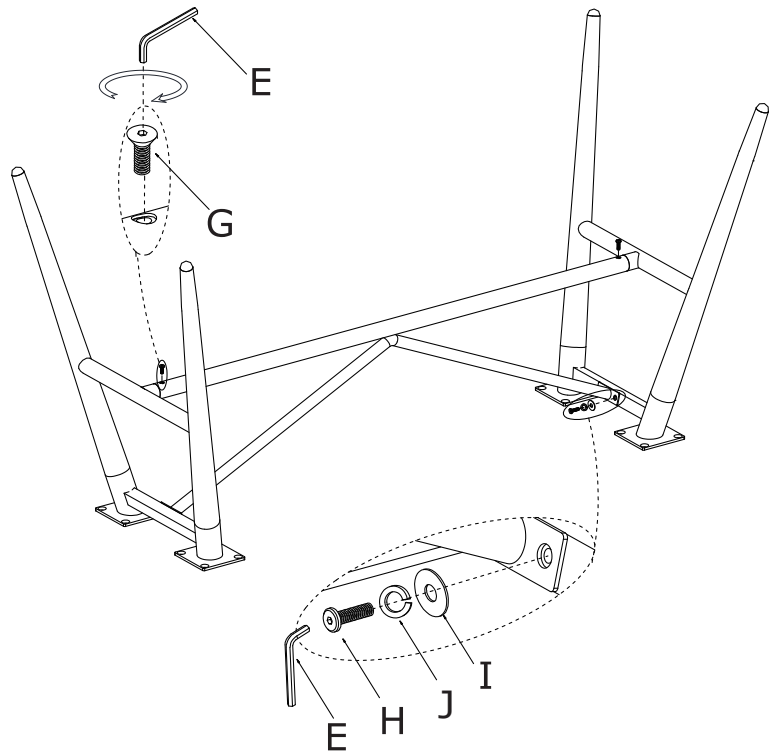


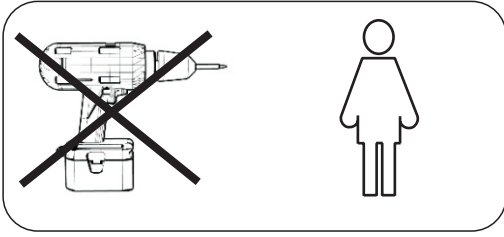
| | |
|--|---|
| Ax1  | Dx1  M5 |
| | Ex1  M4 |
| Bx2  | Fx16  M8x30MM |
| | Gx2  M6x12MM |
| Cx1  | Hx4  M6x16MM |
| | Ix4  Ø16xØ6x1.5 |
| | Jx4  Ø11xØ6x2 |
| | Kx16  Ø17xØ8x1.5 |

①

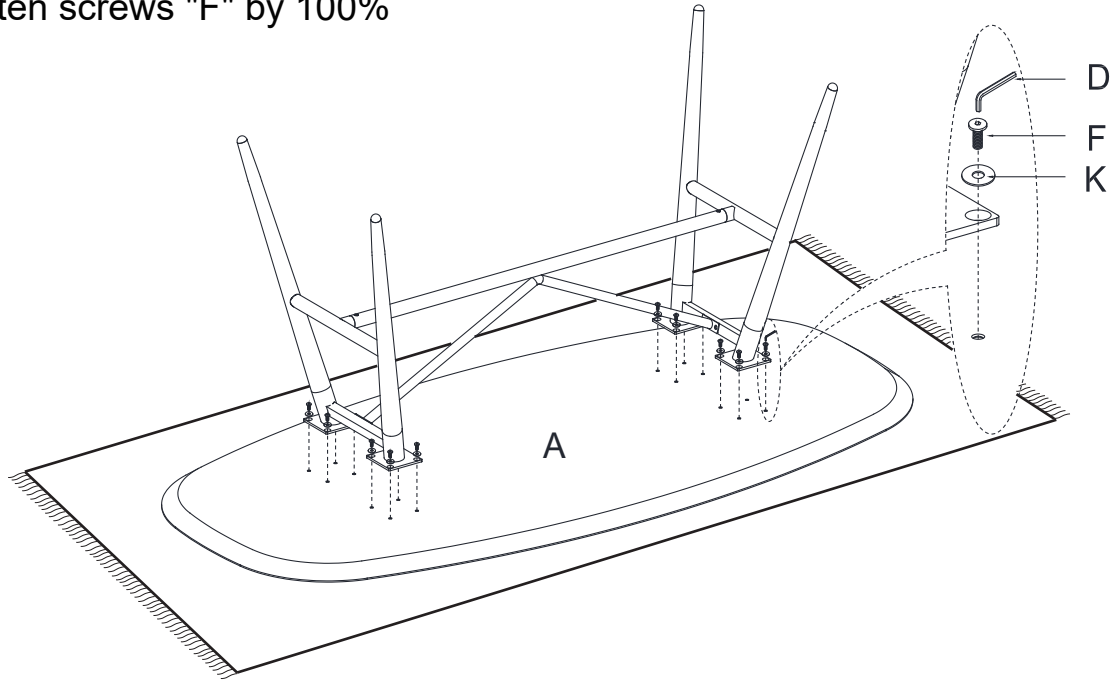


② Tighten screws "G" and "H" by 20%





③ Tighten screws "F" by 100%



④ Tighten screws "G" and "H" by 100%

