

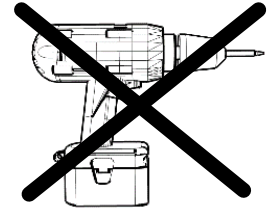
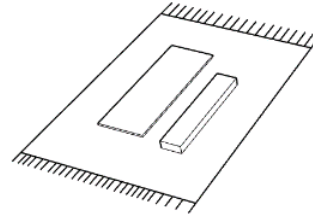
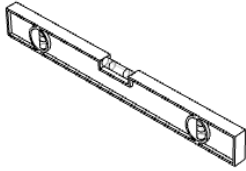
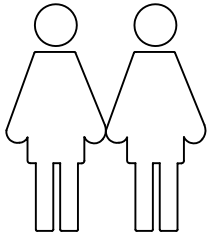
ASSEMBLY INSTRUCTION

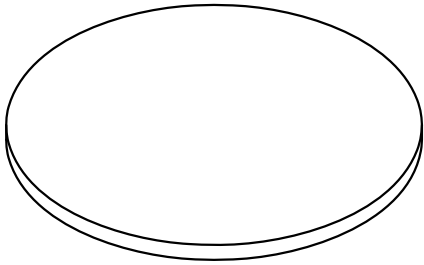
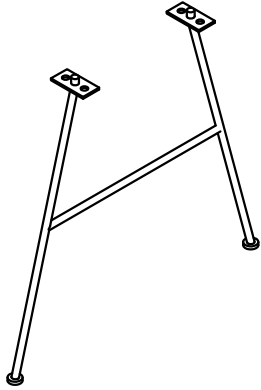
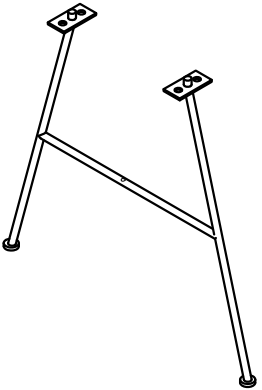
GRAFTON COFFEE TABLE Ø70

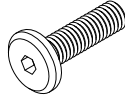
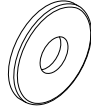

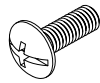



ROWICO

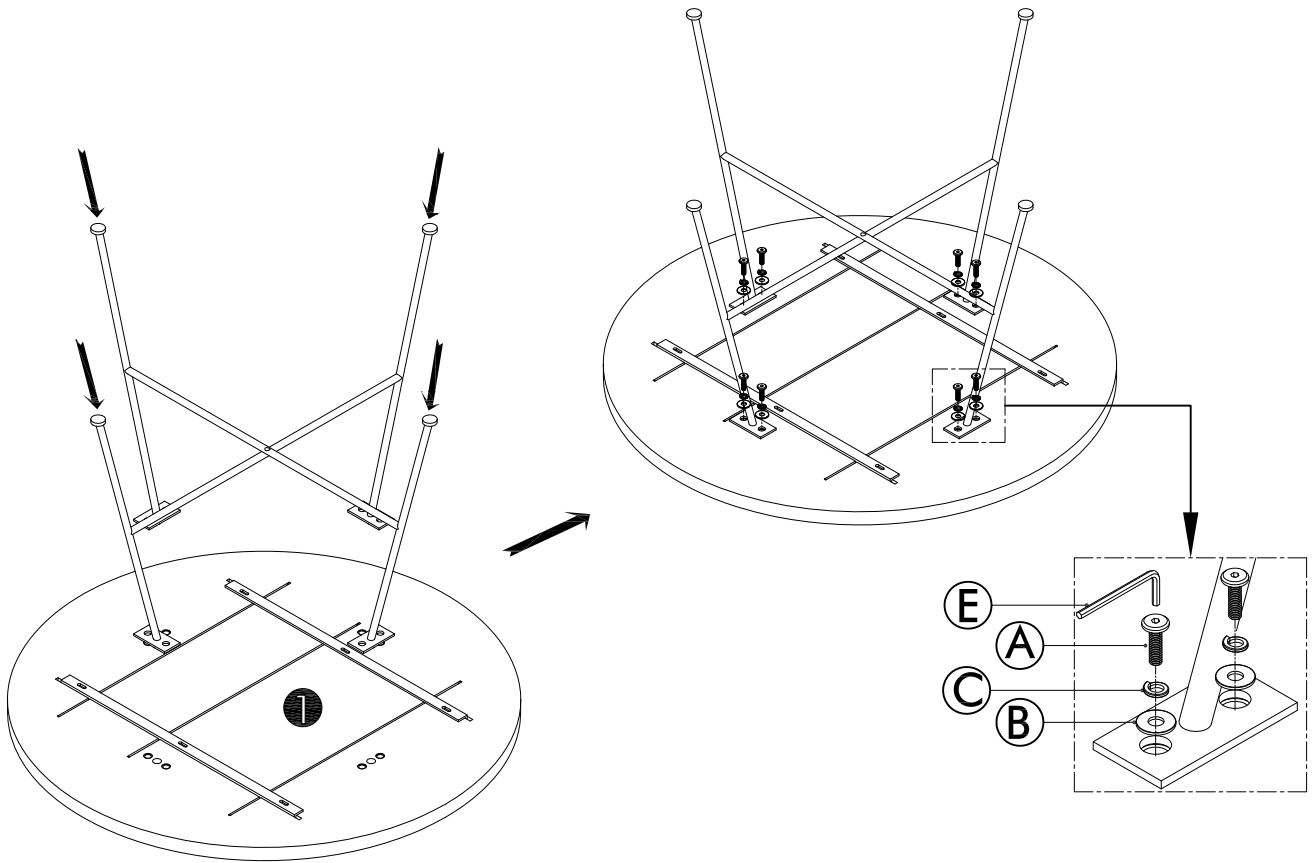
HOME



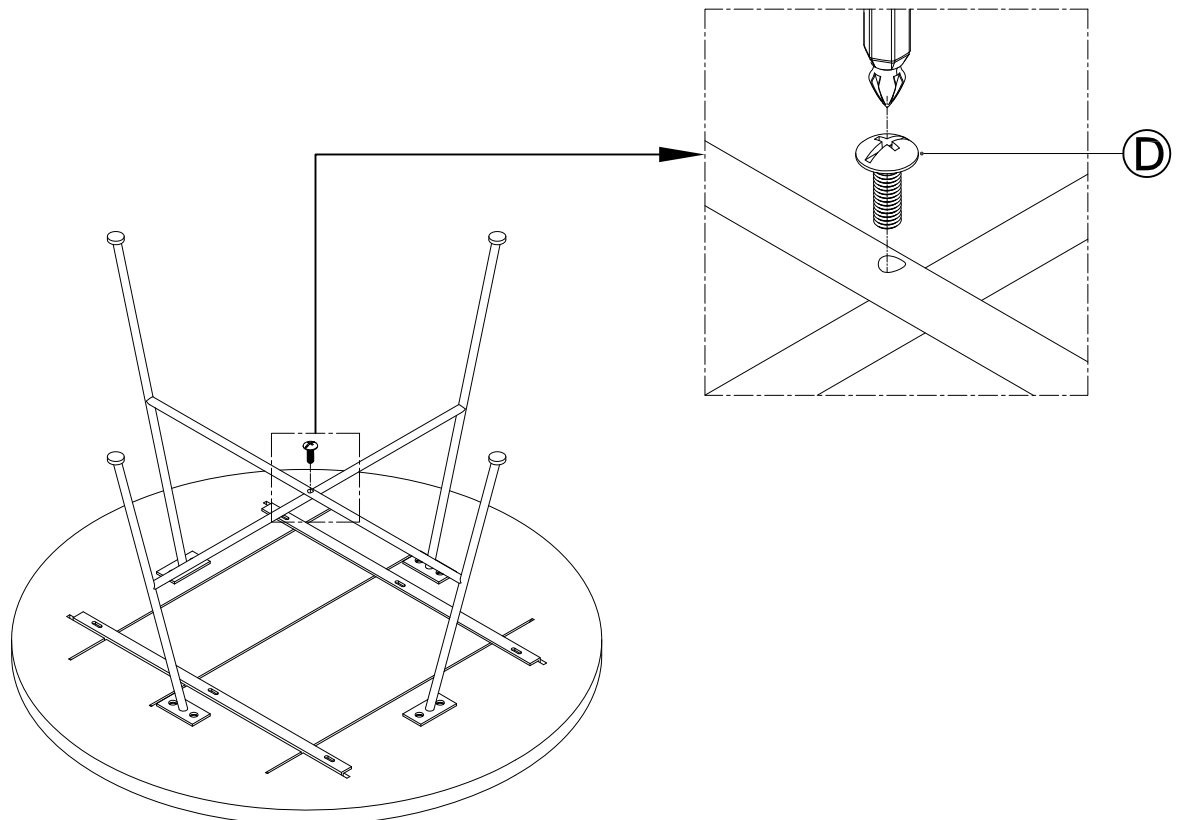
List of part		
	Description	N.o of pcs
1		1
2		1
3		1

List of hardware			
A		Bolt M6x20mm	8
B		Washer Ø6/Ø16	8
C		Spring washer Ø6 mm	8
D		Bolt M4x15mm	1
E		Allen Key Ø4	1

Step 1



Step 2



Step 3



Max weight :

