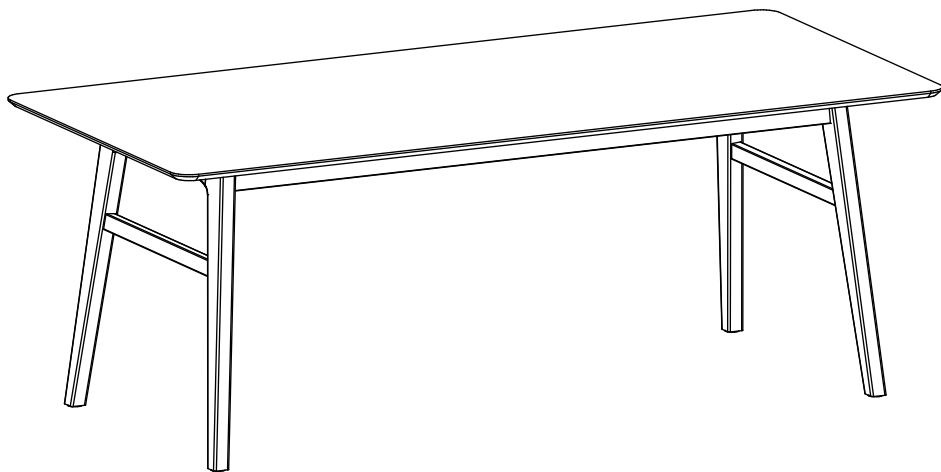


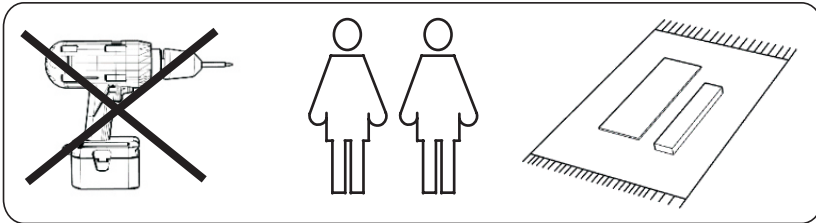
ASSEMBLY INSTRUCTION

NAGANO DINING TABLE



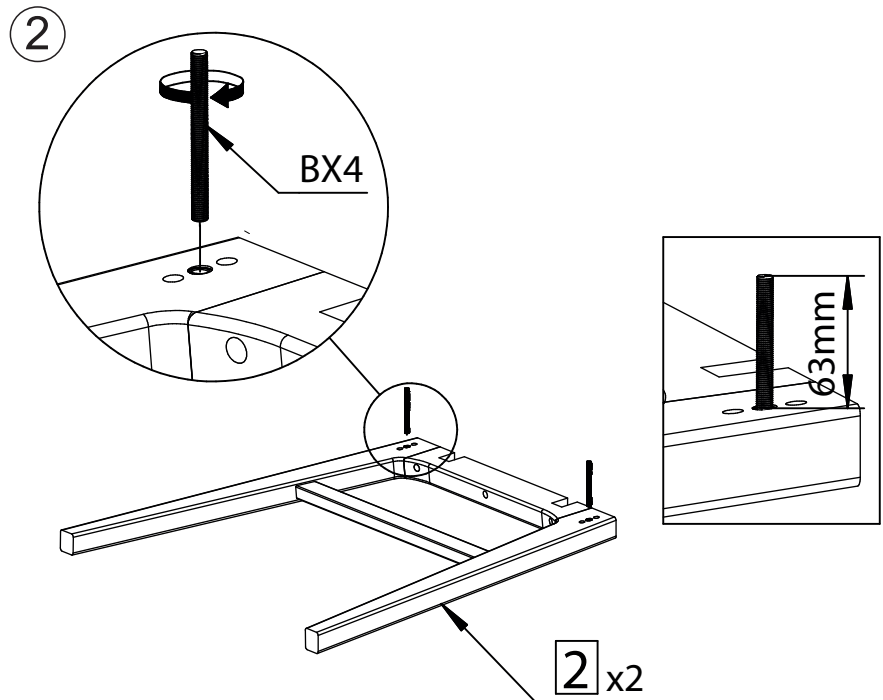
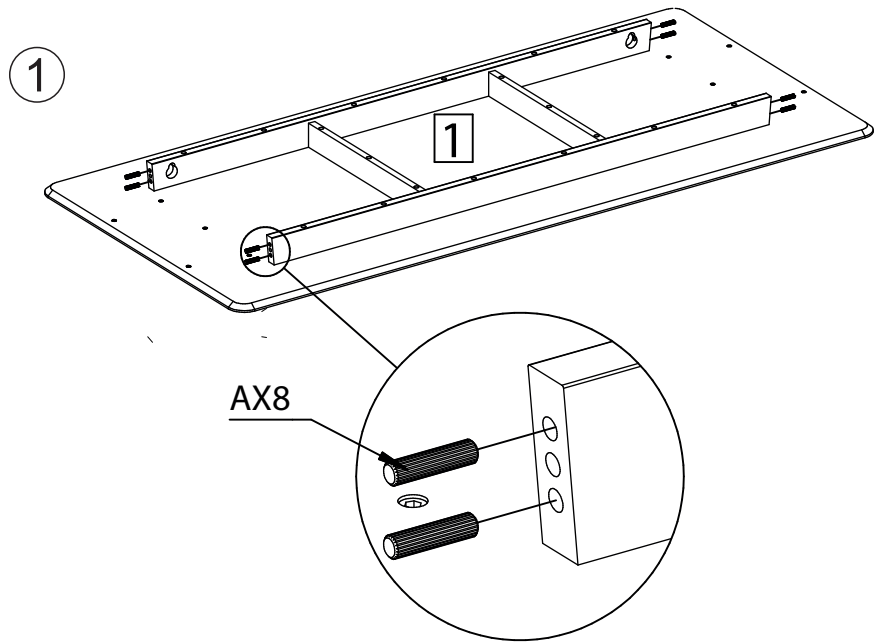
ROWICO

HOME



| | |
|---------------------|--------------------|
| 1x1 | Ex4 M8x12 |
| 2x2 | F 12x90 |
| 3x4 | Gx4 Ø35 |
| Ax8 Ø10x40 | Hx6 M6x50 |
| Bx4 M8x85 | Jx6 Ø6 |
| Cx4 Ø8x25x14 | Kx6 Ø6/ Ø12 |
| Dx4 Ø8 | L N4 |

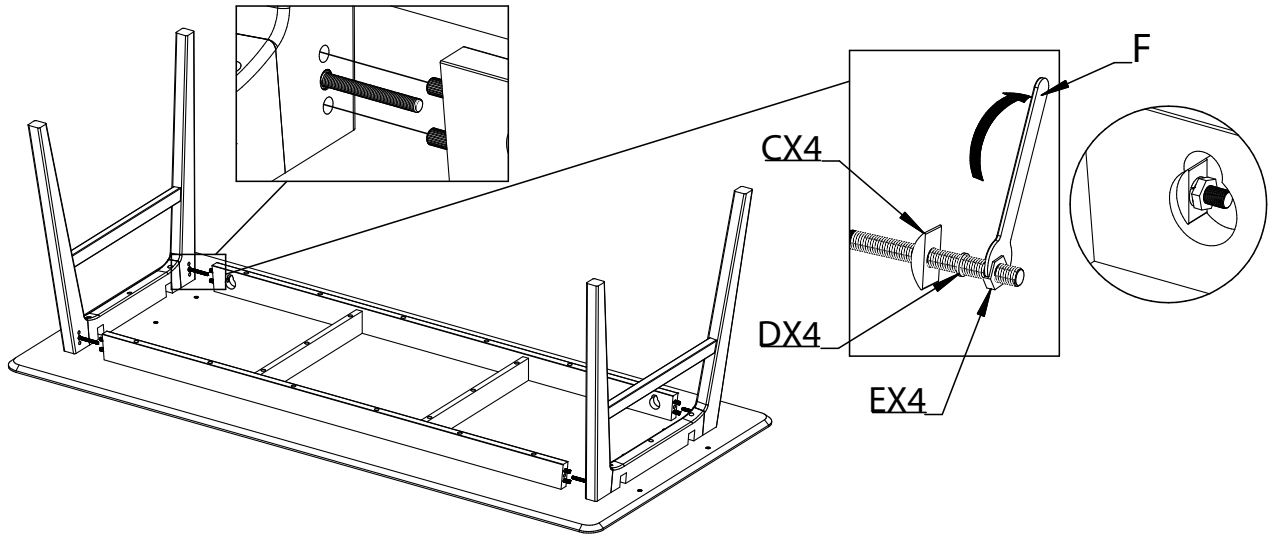
Note:
Improper use, improper assembly and mishandling may lead to defects/ cracks appearing.



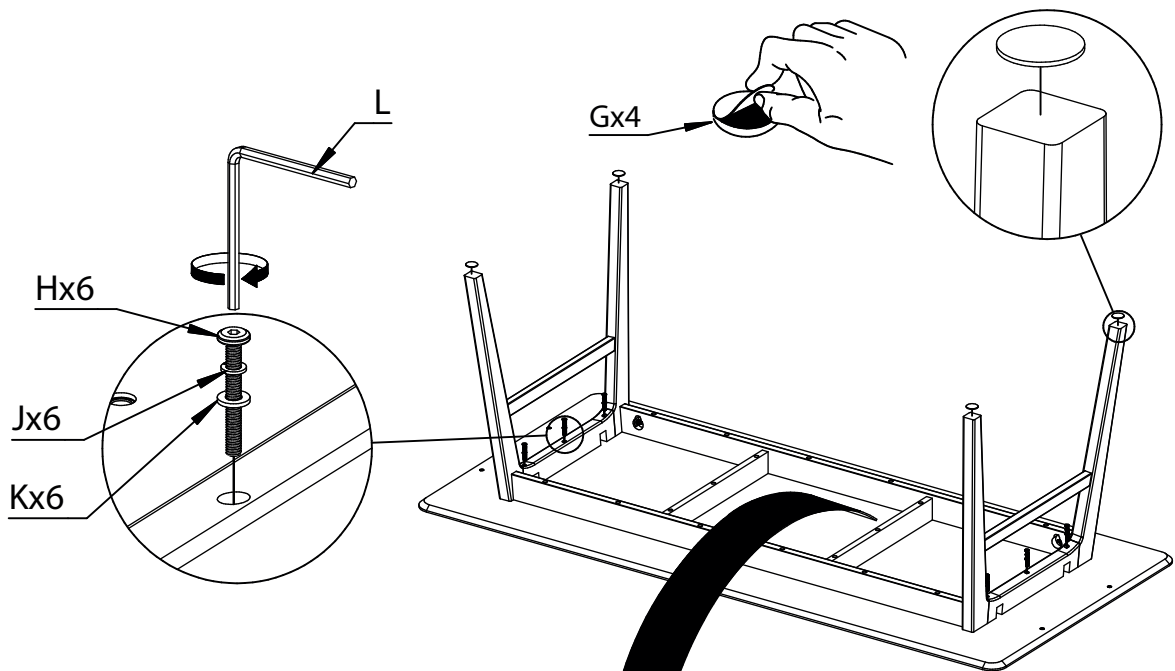
ATTENTION!

- Putta eller dra inte i möbelen vid förflyttning – lyft alltid i bärande delar.
- When moving the furniture, never pull or push, remember to always lift.
- Montera möbelen på en matta för att skydda mot smuts, märken och repor.
- Assemble the furniture on a carpet as protection against dirt, dent marks and scratches.

3



4



5

