

ASSEMBLY INSTRUCTIONS



MODEL : YUMI NEST OF TABLE

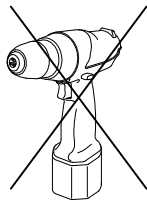
Before you begin, please follow assembly instructions carefully, then follow them step by step.

PART LIST

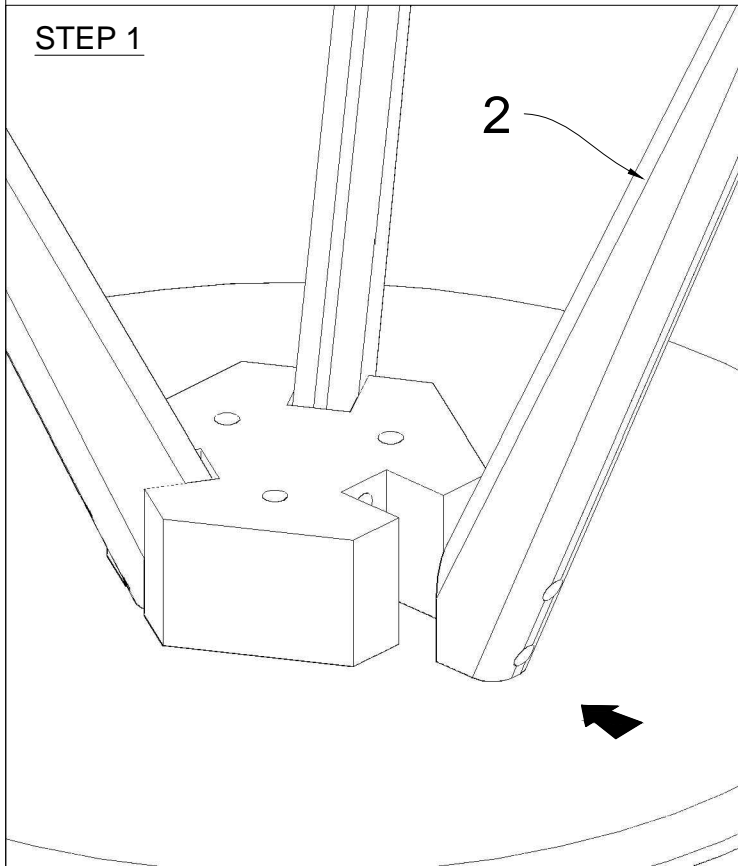
1	TOP PANEL	1PC
2	LEG	3 PCS
3	SMALL TOP PANEL	1PC
4	SMALL NEST LEG	3 PCS

HARDWARE

A	M6 x 45MM JCBC BOLT	12 PCS
B	SPRING WASHER 1/4 	12 PCS
C	Allen Wrench 	1 PC



STEP 1



STEP 2

