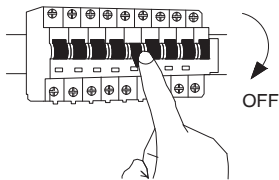
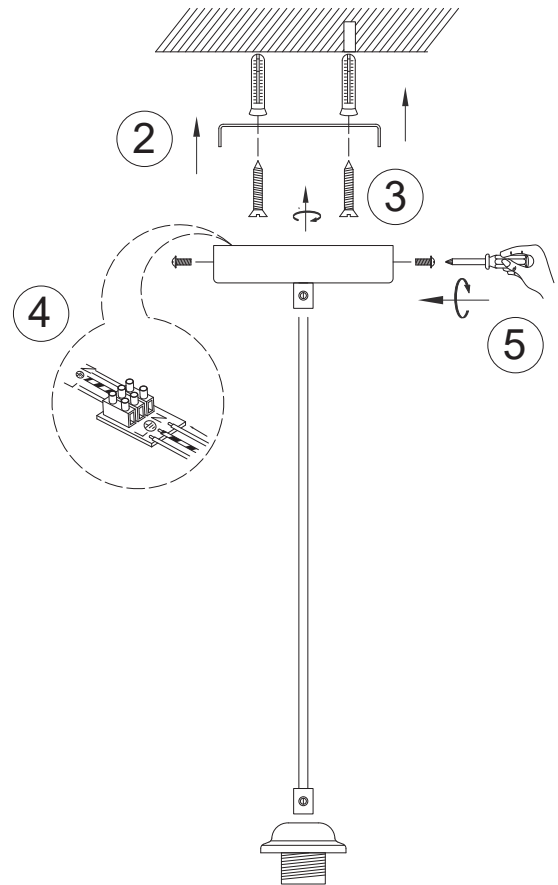


1

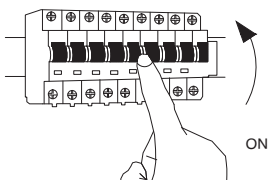


Turn off the general switch

1. Turn off the general switch
2. Drill holes & apply plastic anchors
3. Apply the screws
4. Connect the wires
5. Apply the side screws
6. 7. Fix the glass into place by tying up the cap
8. Insert the bulb by rotating
9. Turn on the general switch



9



Turn on the general switch

