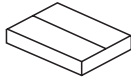
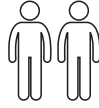




5 min



x 1



x 1



A x 1



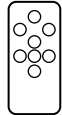
B x 3



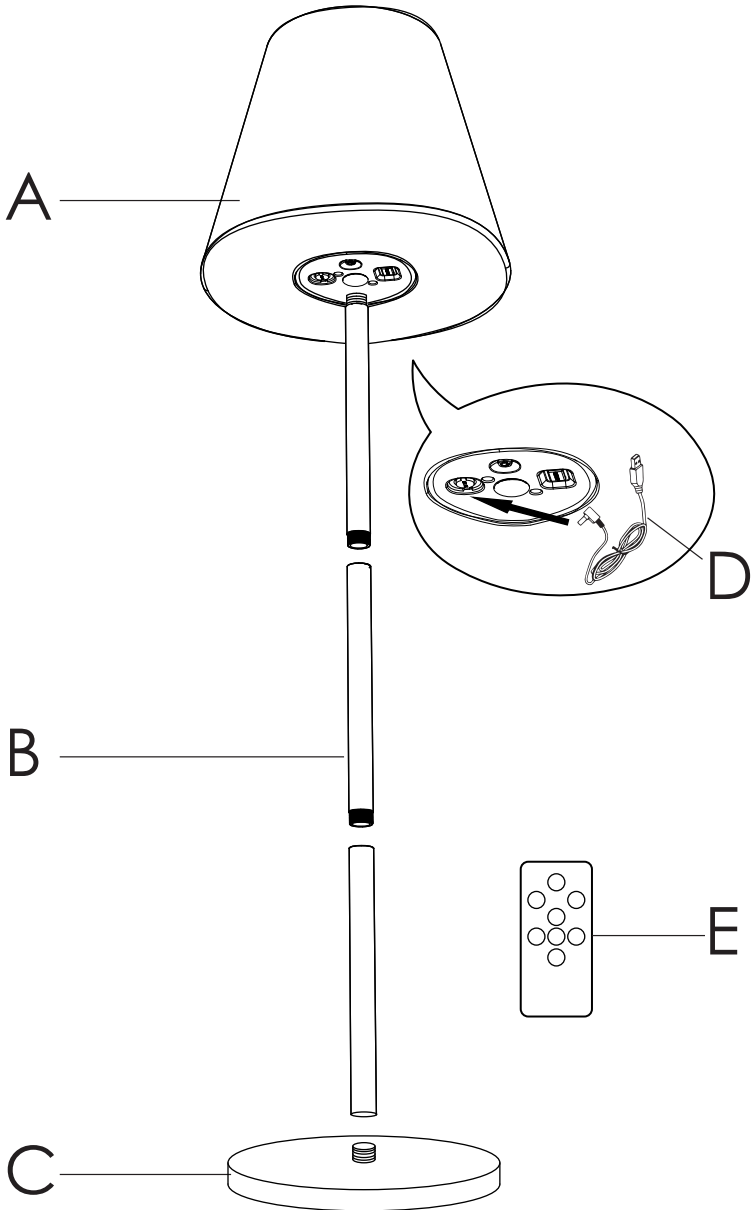
C x 1



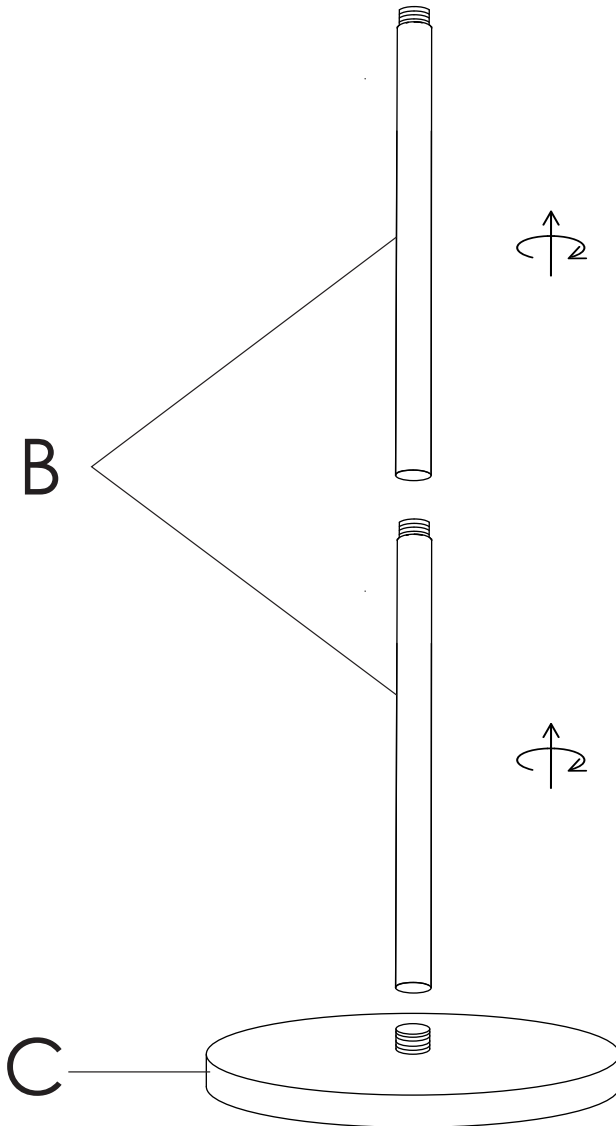
D x 1



E x 1

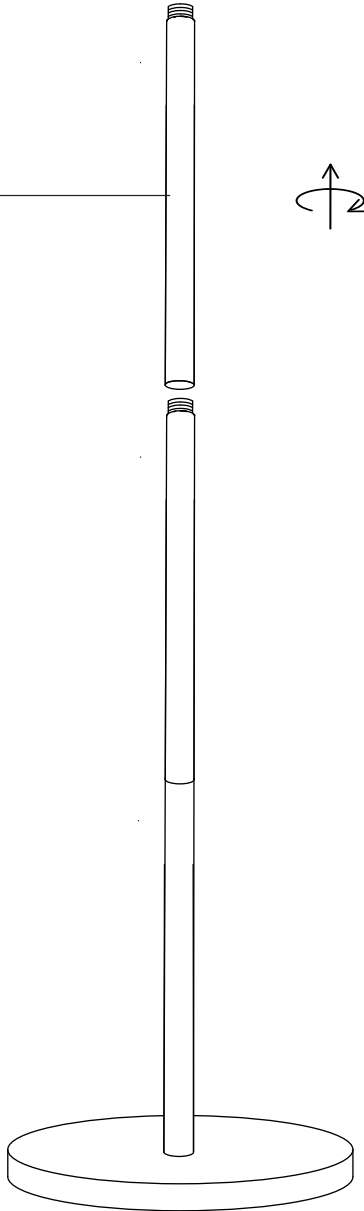


1

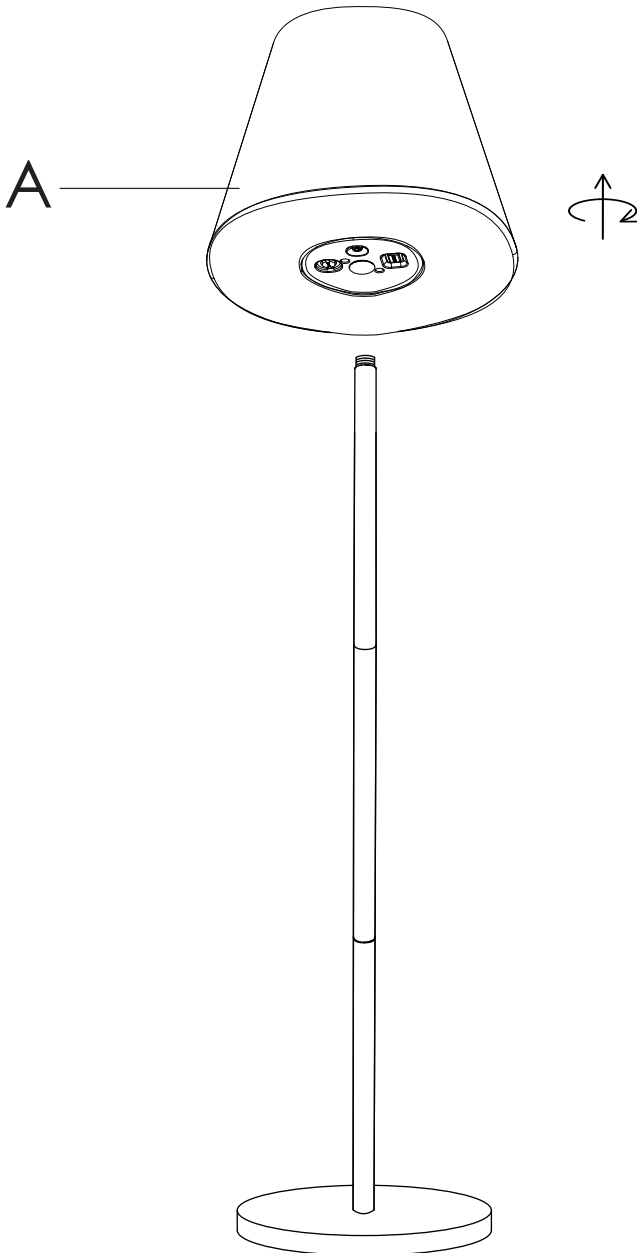


2

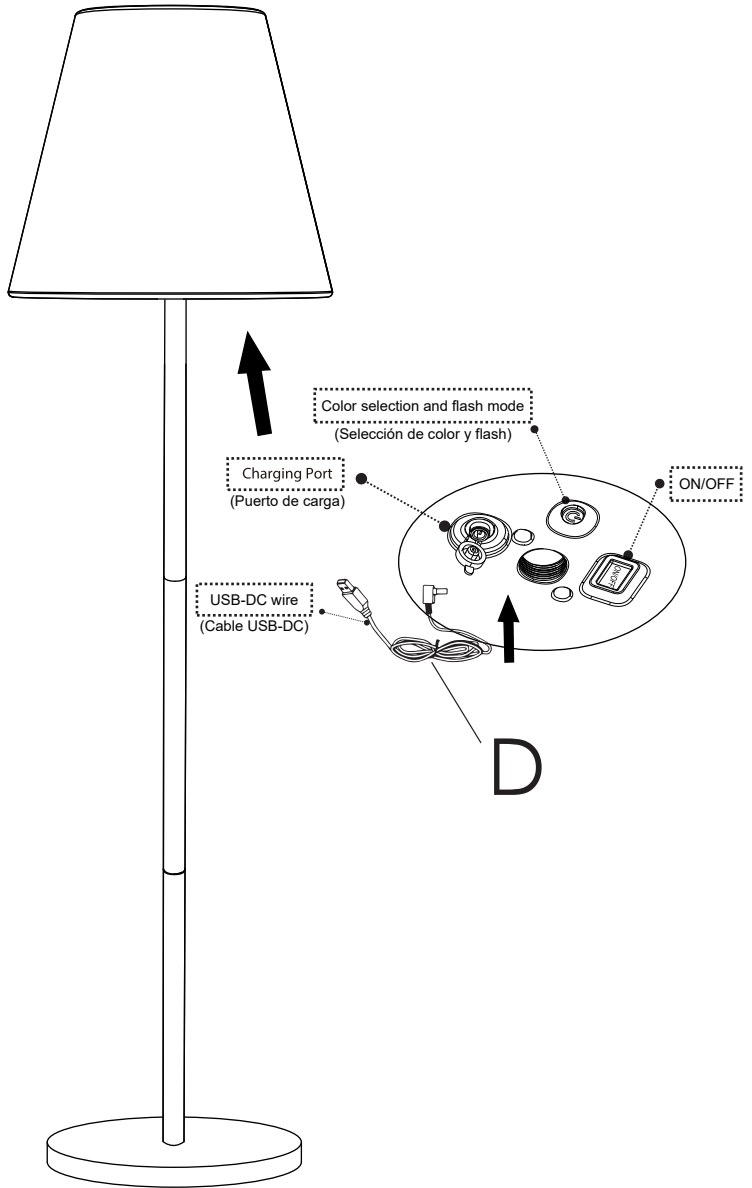
B



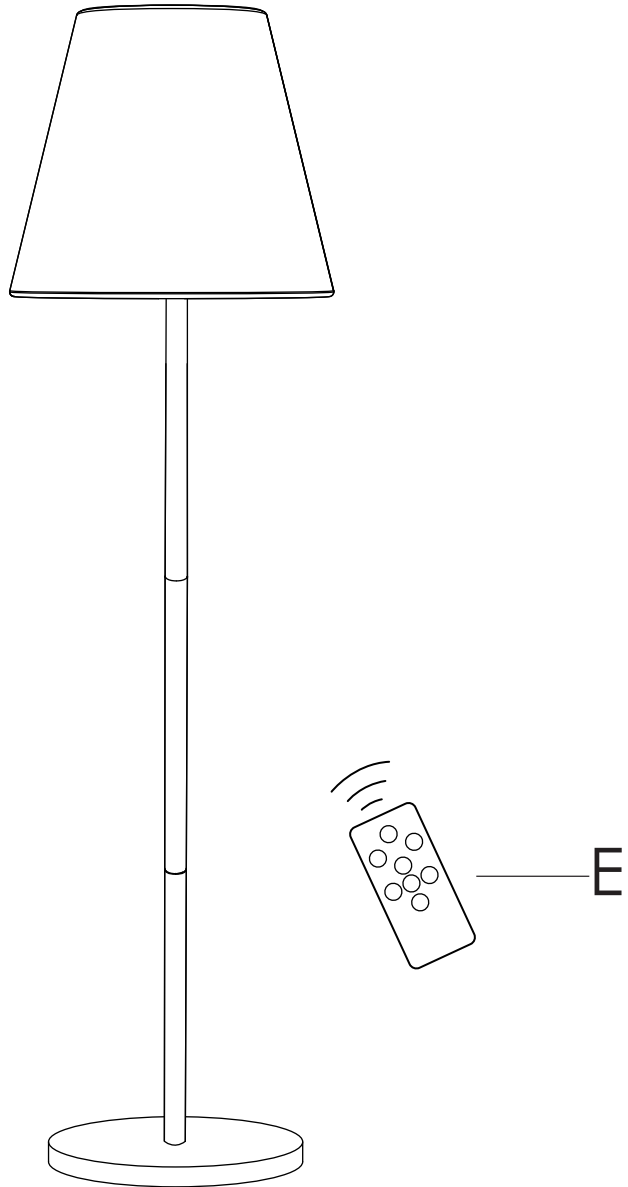
3

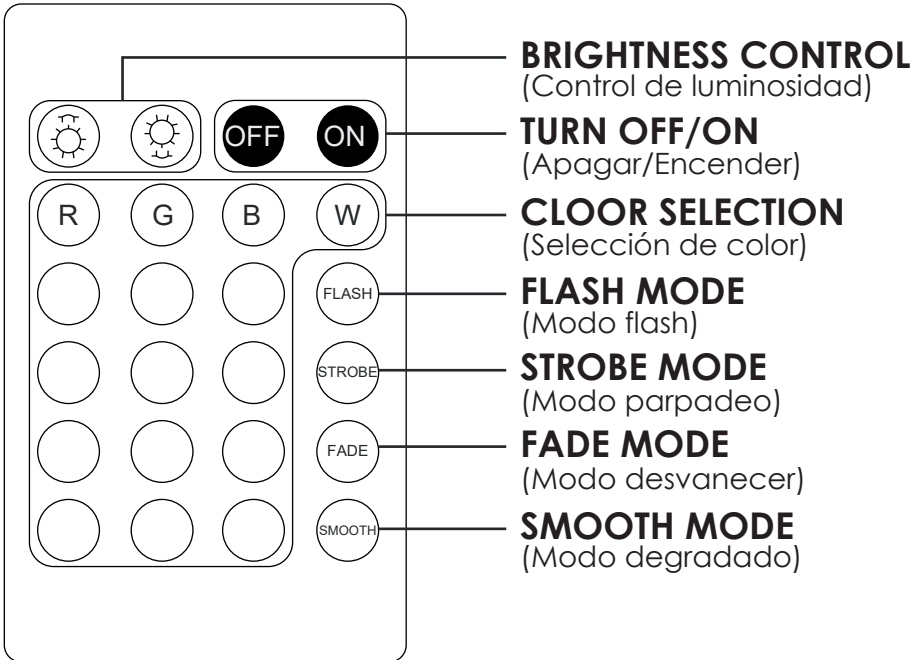


4

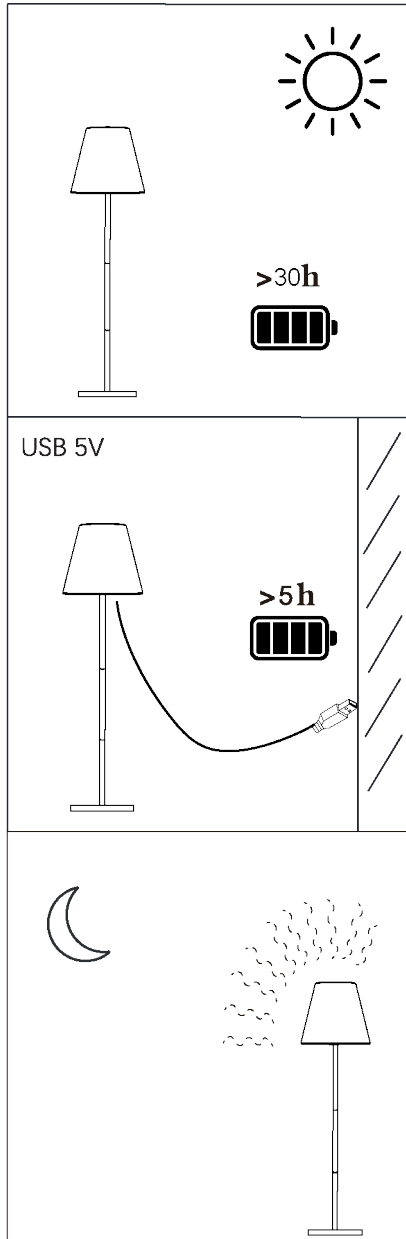


5





7





THAT'S ALL FOLKS!

Share your style!

#KaveHome

