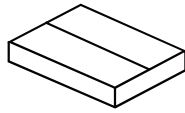
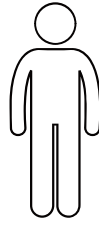




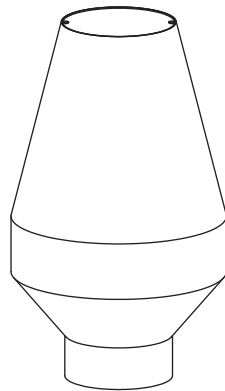
5 min



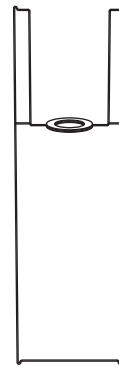
x1



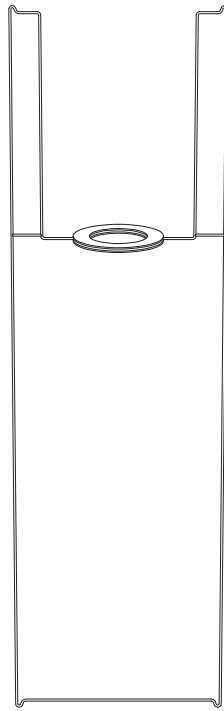
x1



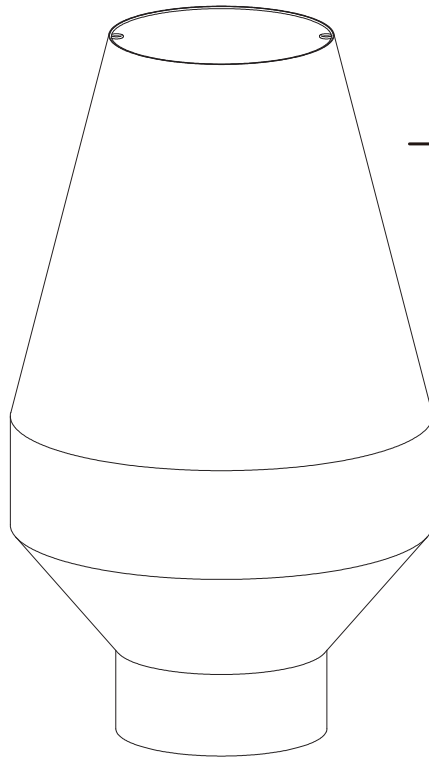
A x 1



B x 1

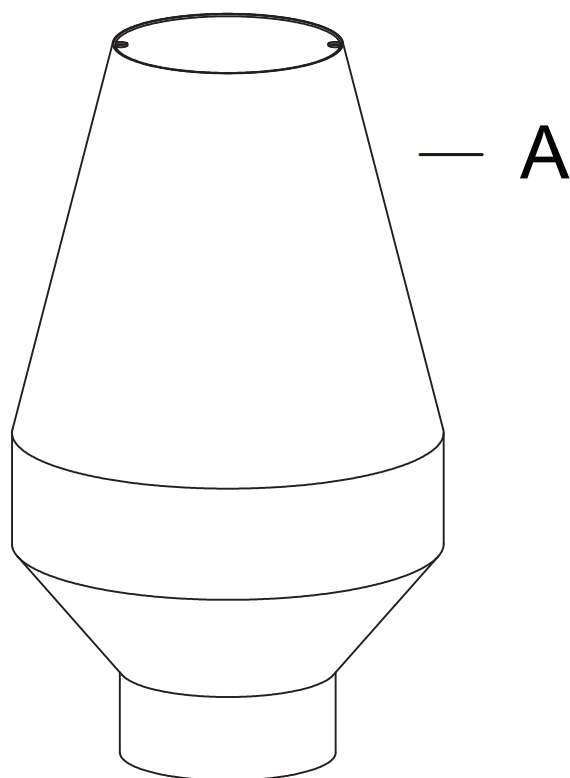
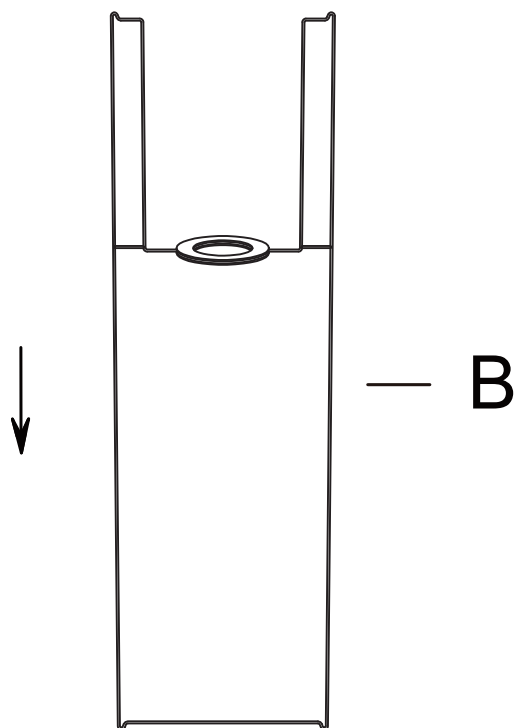


— B

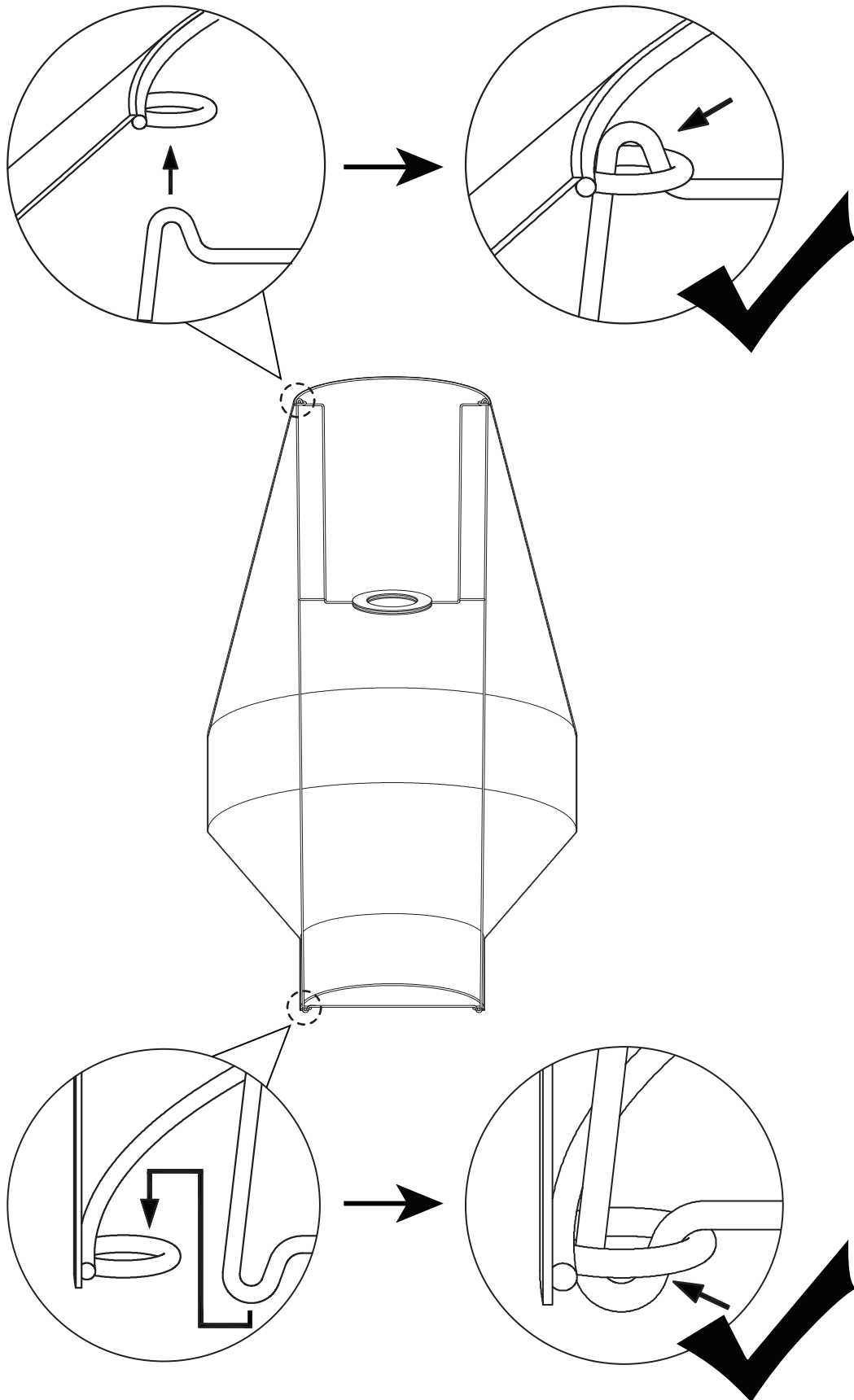


— A

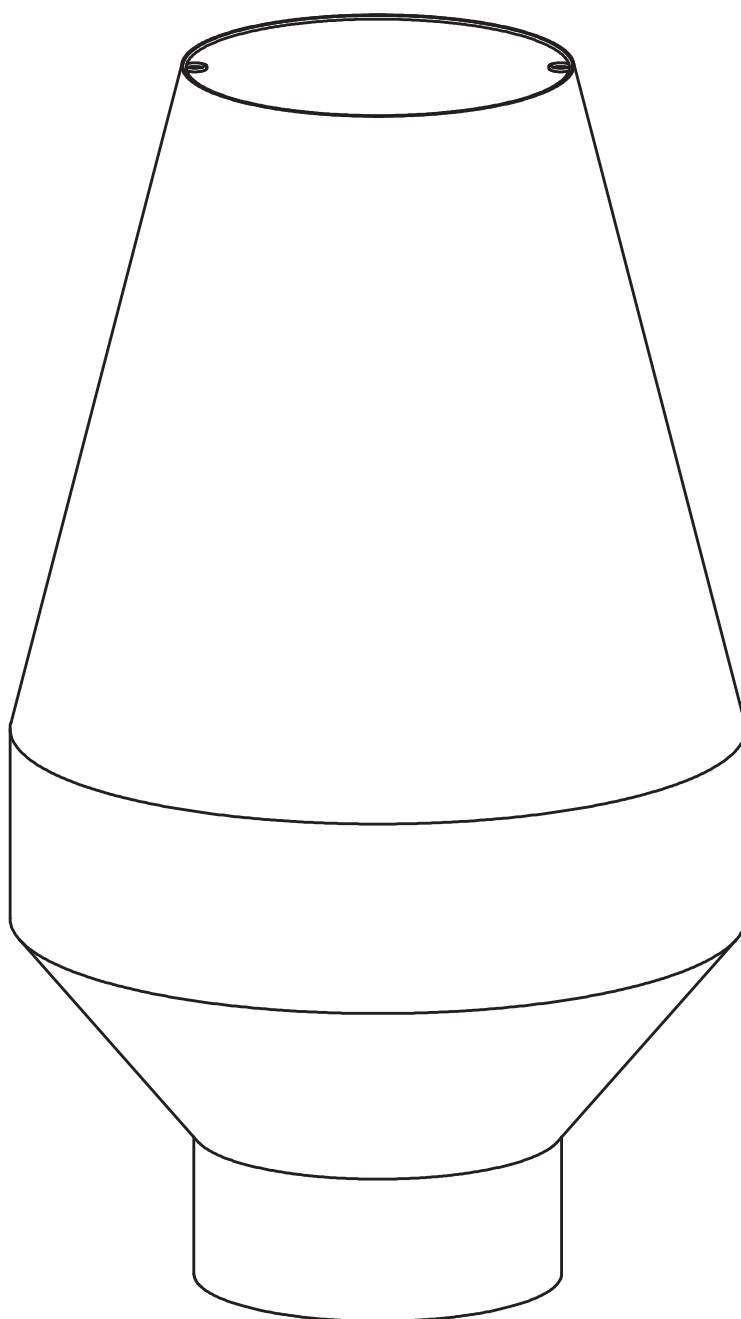
1



2



3



THAT'S ALL FOLKS!

Share your style!

#KaveHome

