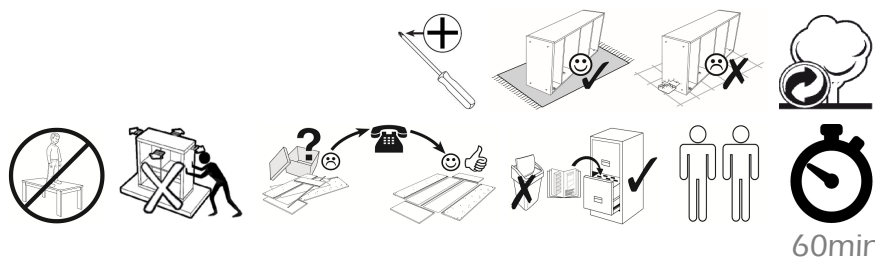
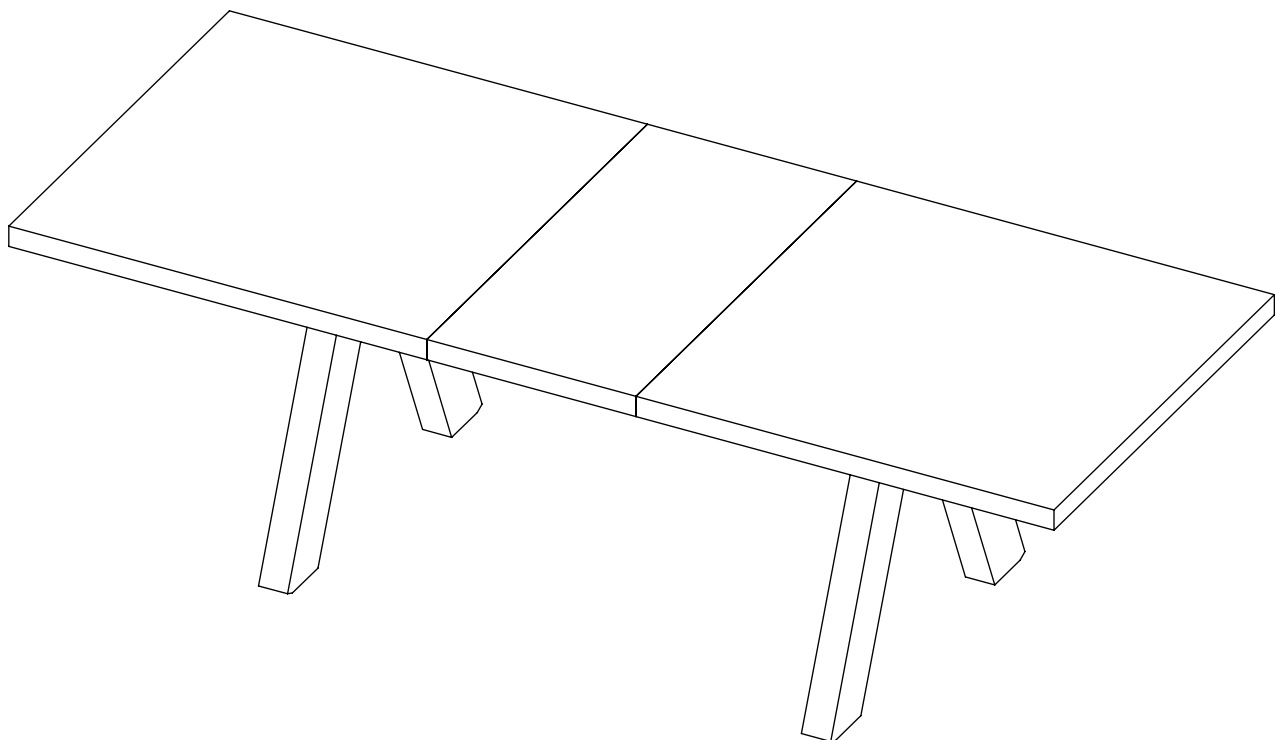
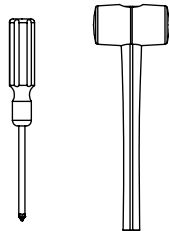


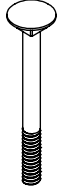
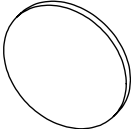




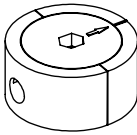
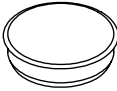
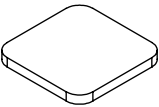


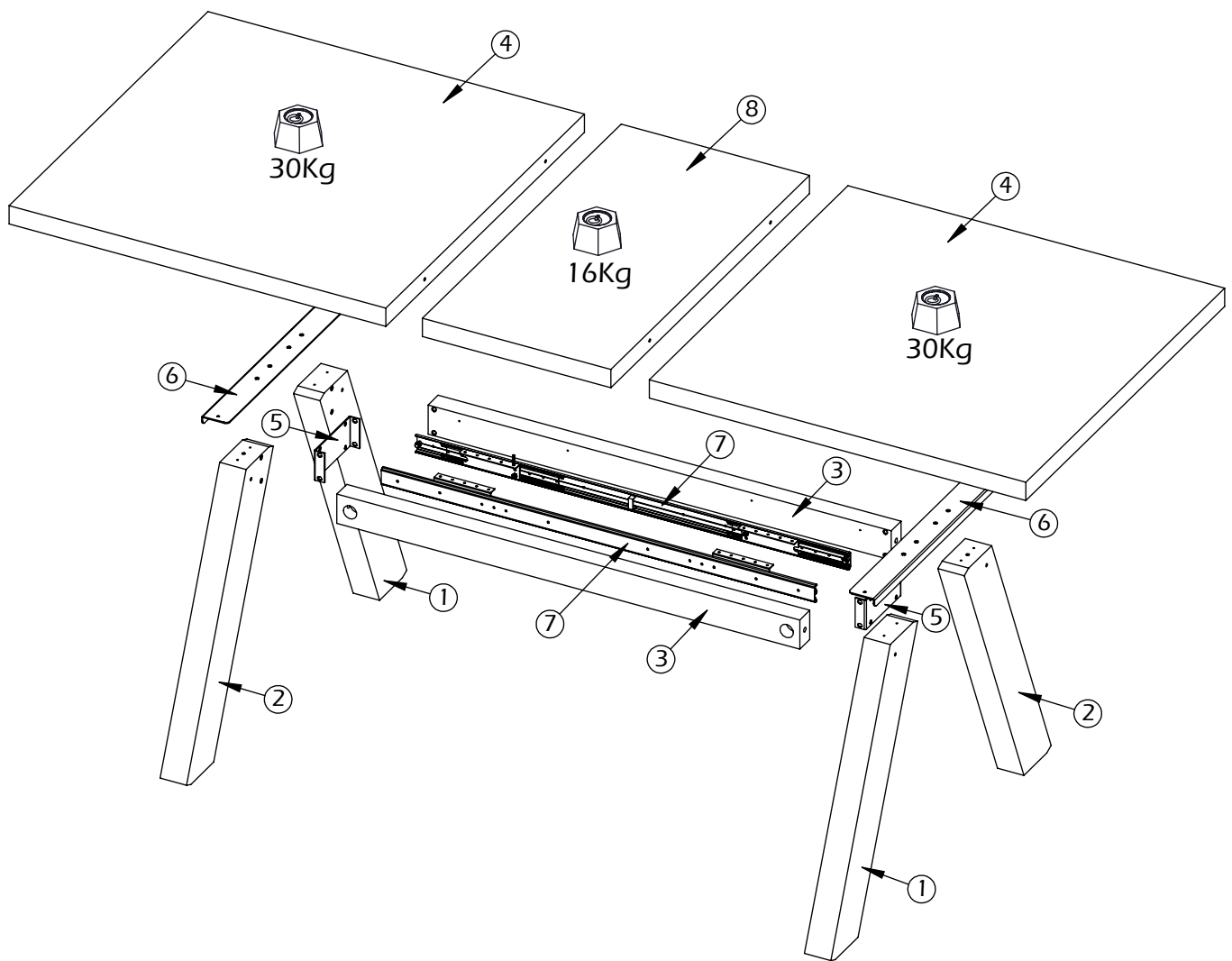
# APEX



  
**TEMAHOME**  
 7200.507/582/727

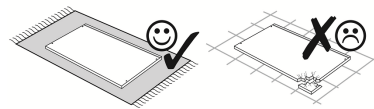
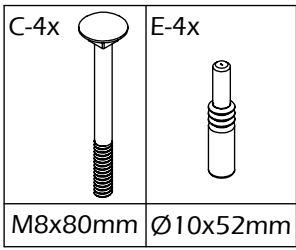
		<b>A - 32x</b>  $\text{Ø}4 \times 16\text{mm}$ 0512.001	<b>B - 8x</b>  $\text{Ø}5 \times 40\text{mm}$ 0512.148	<b>C - 4x</b>  $\text{M}8 \times 80\text{mm}$ 0512.152			
<b>D - 4x</b>  $\text{Ø}55 \times 3,5\text{mm}$ 0992.012	<b>E - 4x</b>  $\text{Ø}10 \times 50\text{mm}$ 0512.036	<b>F - 1x</b>  $92 \times 28 \times 6\text{mm}$ 0512.084	<b>G - 1x</b>  $67 \times 27 \times 4\text{mm}$ 0900.184	<b>H - 16x</b>  $\text{M}6 \times 16\text{mm}$ 0512.129	<b>I - 4x</b>  $\text{Ø}35 \times 17\text{mm}$ 0512.035	<b>J - 4x</b>  $\text{Ø}35 \times 10\text{mm}$ 0520.039/060	<b>K - 4x</b>  $32 \times 32 \times 2\text{mm}$ 0992.002

IM-0623.792/11

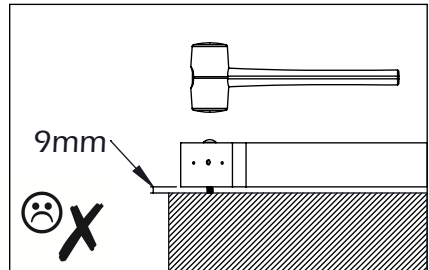
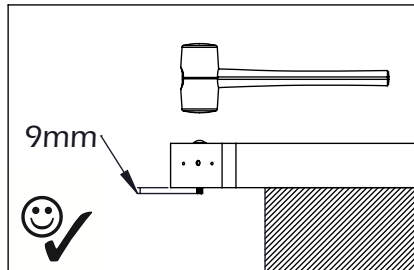
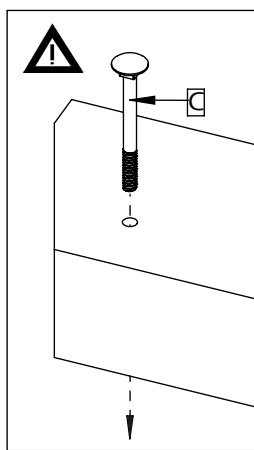
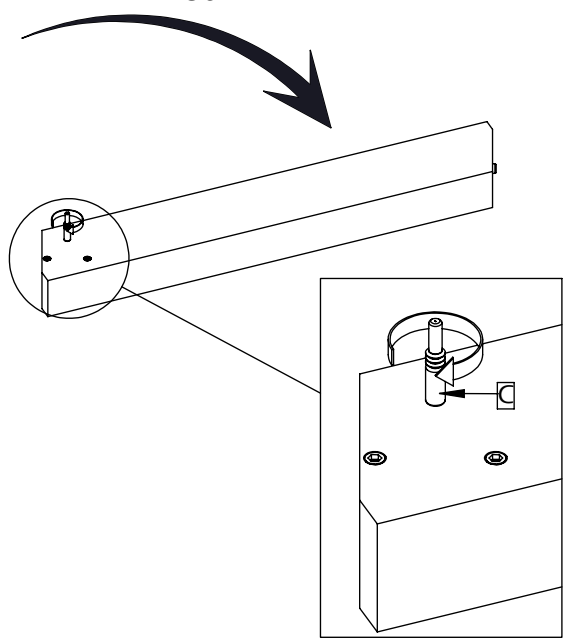
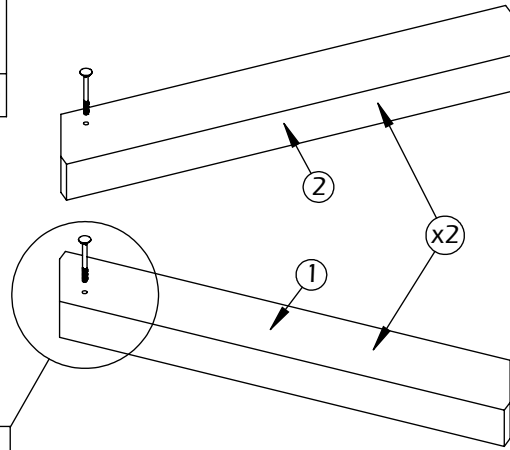


n°	x	mm
1	2	812 x 130 x 70
2	2	812 x 130 x 70
3	2	1229 x 80 x 50
4	2	1000 x 1000 x 50
5	2	180 x 80 x 28
6	2	675 x 68 x 20
7	2	1150 x 46 x 39
8	1	1000 x 500 x 50

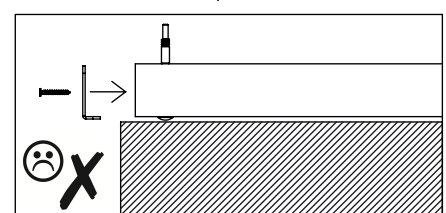
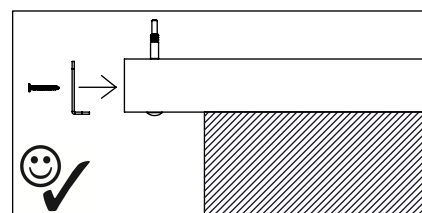
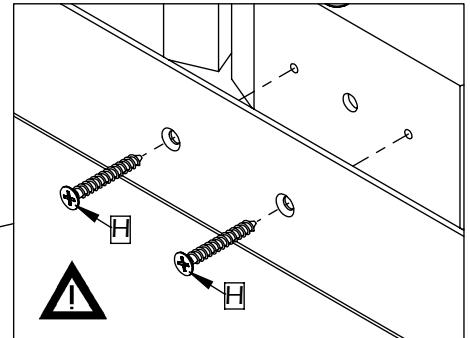
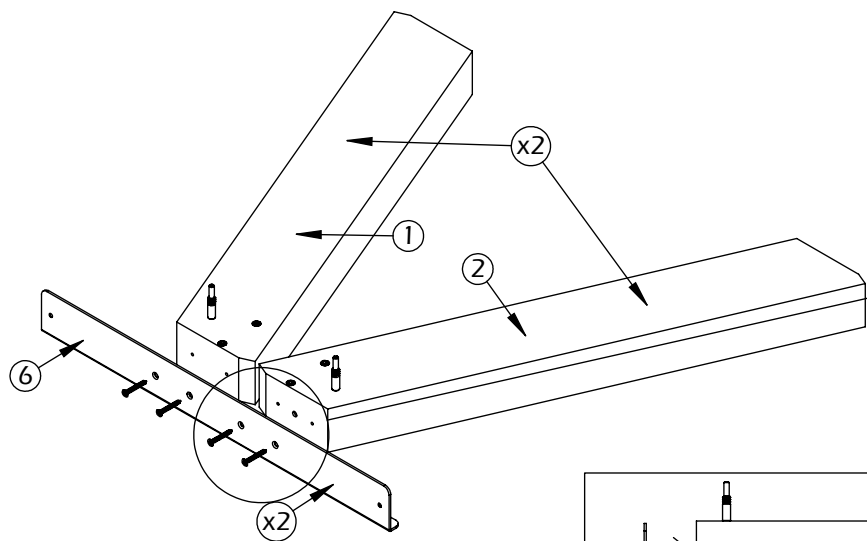
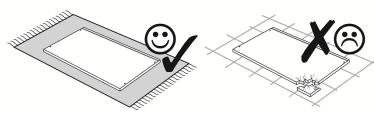
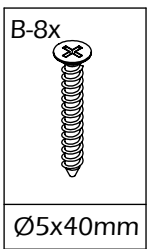
1






180°

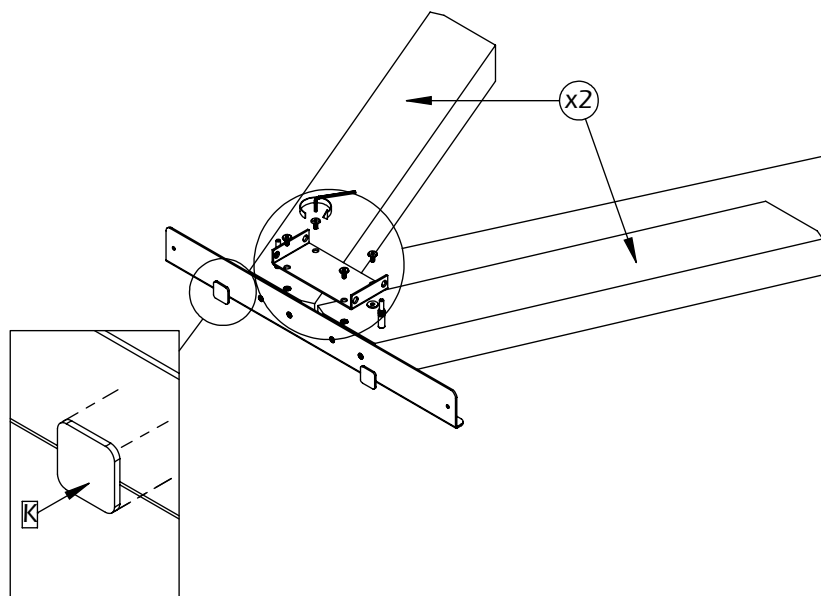
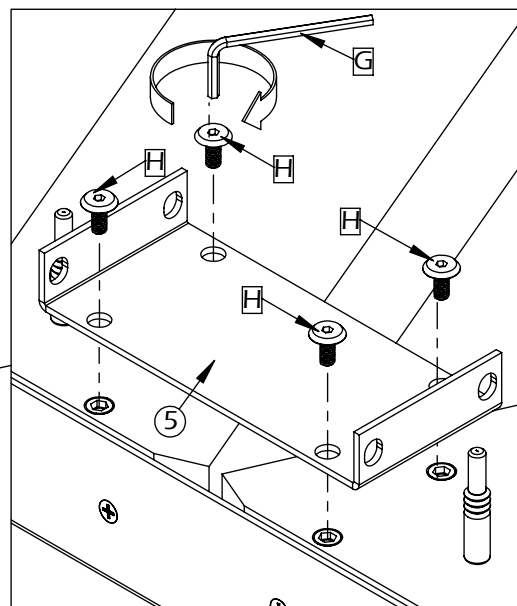
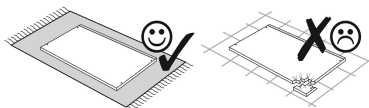


2


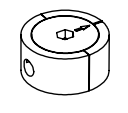


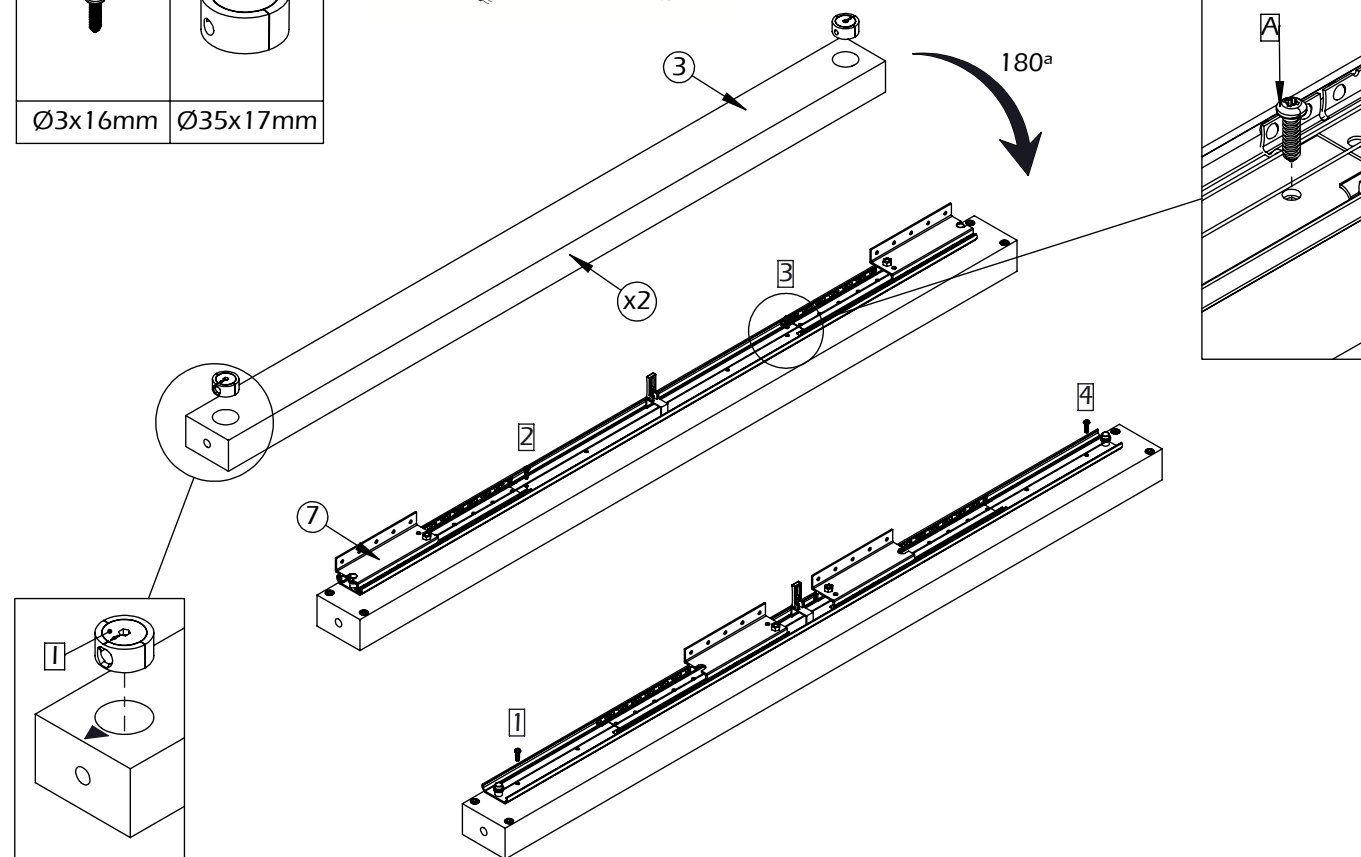
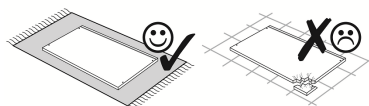
3

G-1x 	H-8x 	K-4x 
67x27x4mm	M6x16mm	32x32x3mm



4

A-8x 	I-4x 
Ø3x16mm	Ø35x17mm

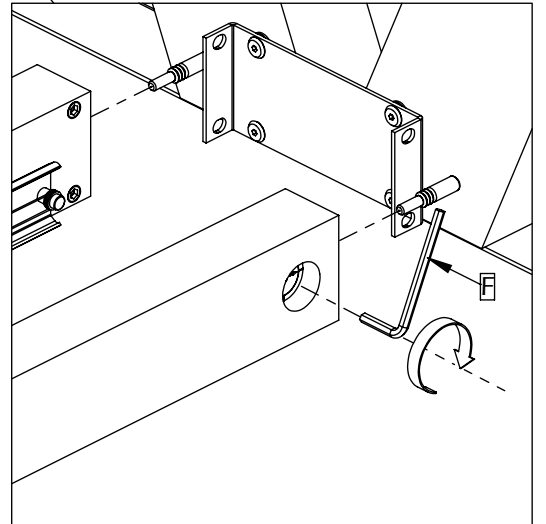
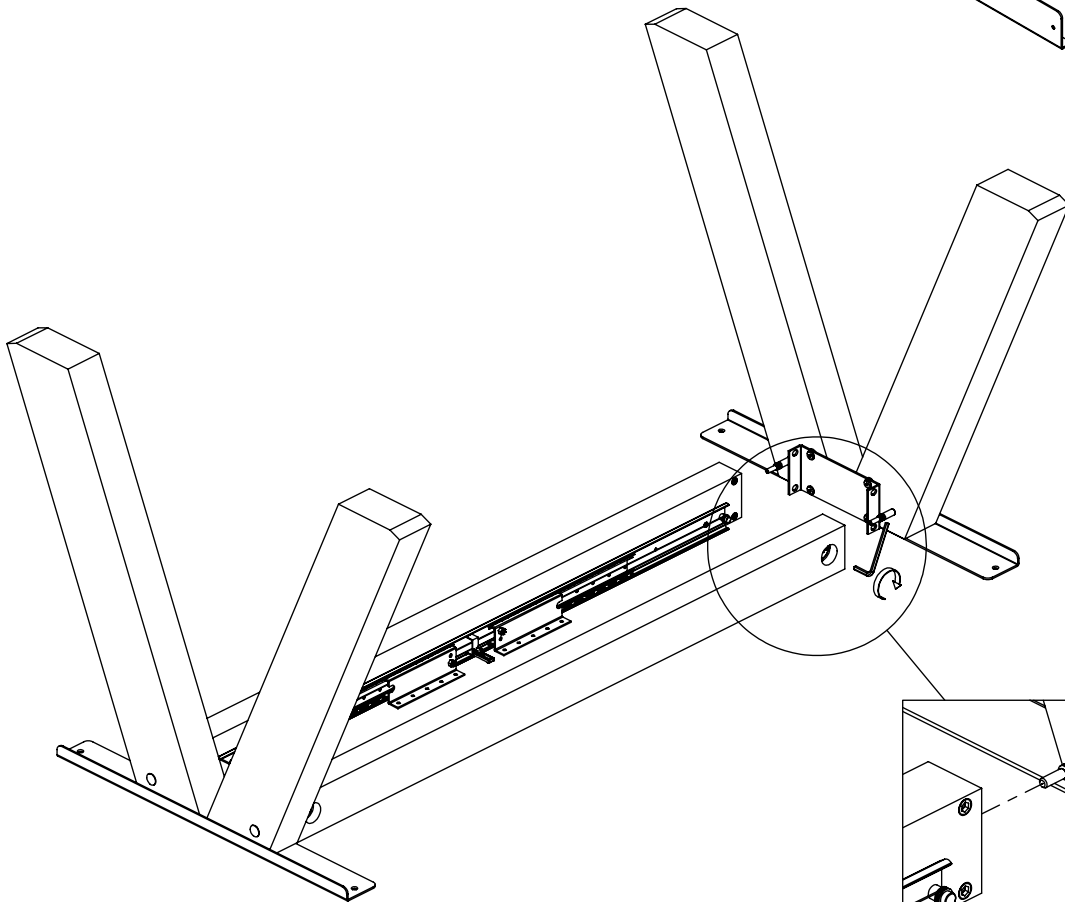
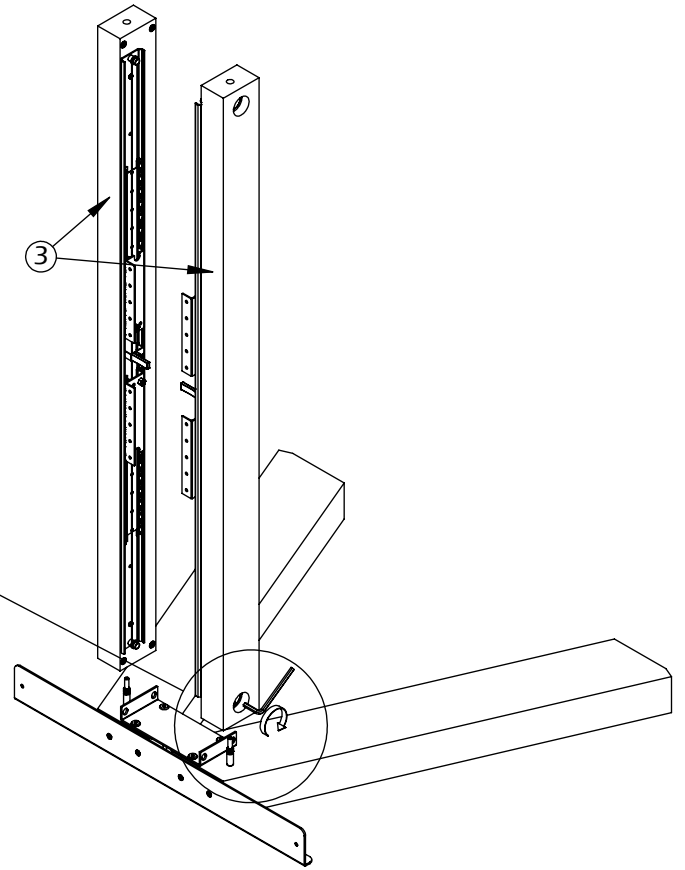
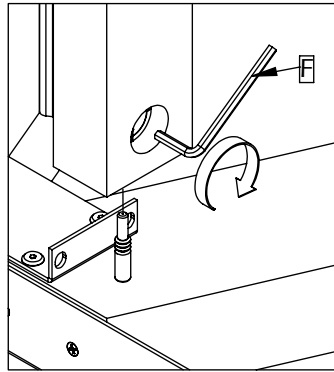
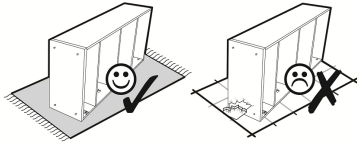


5




F-1x

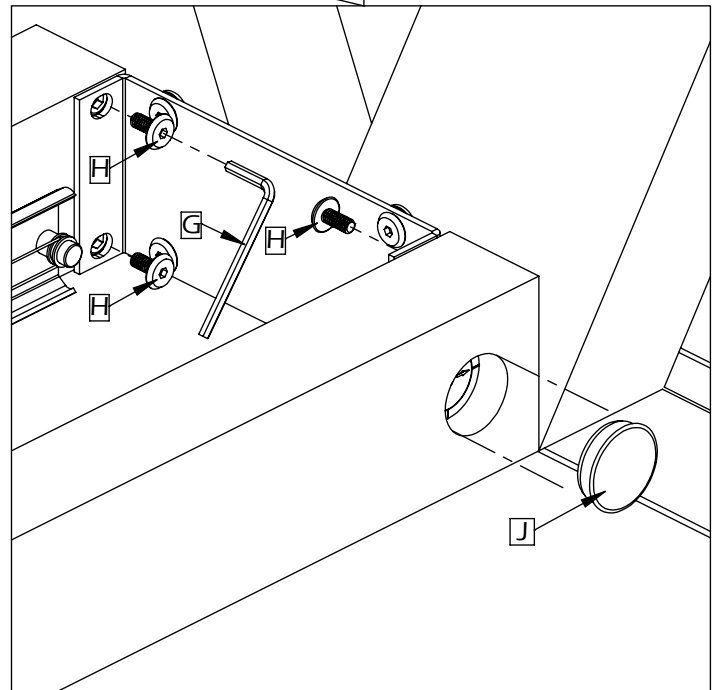
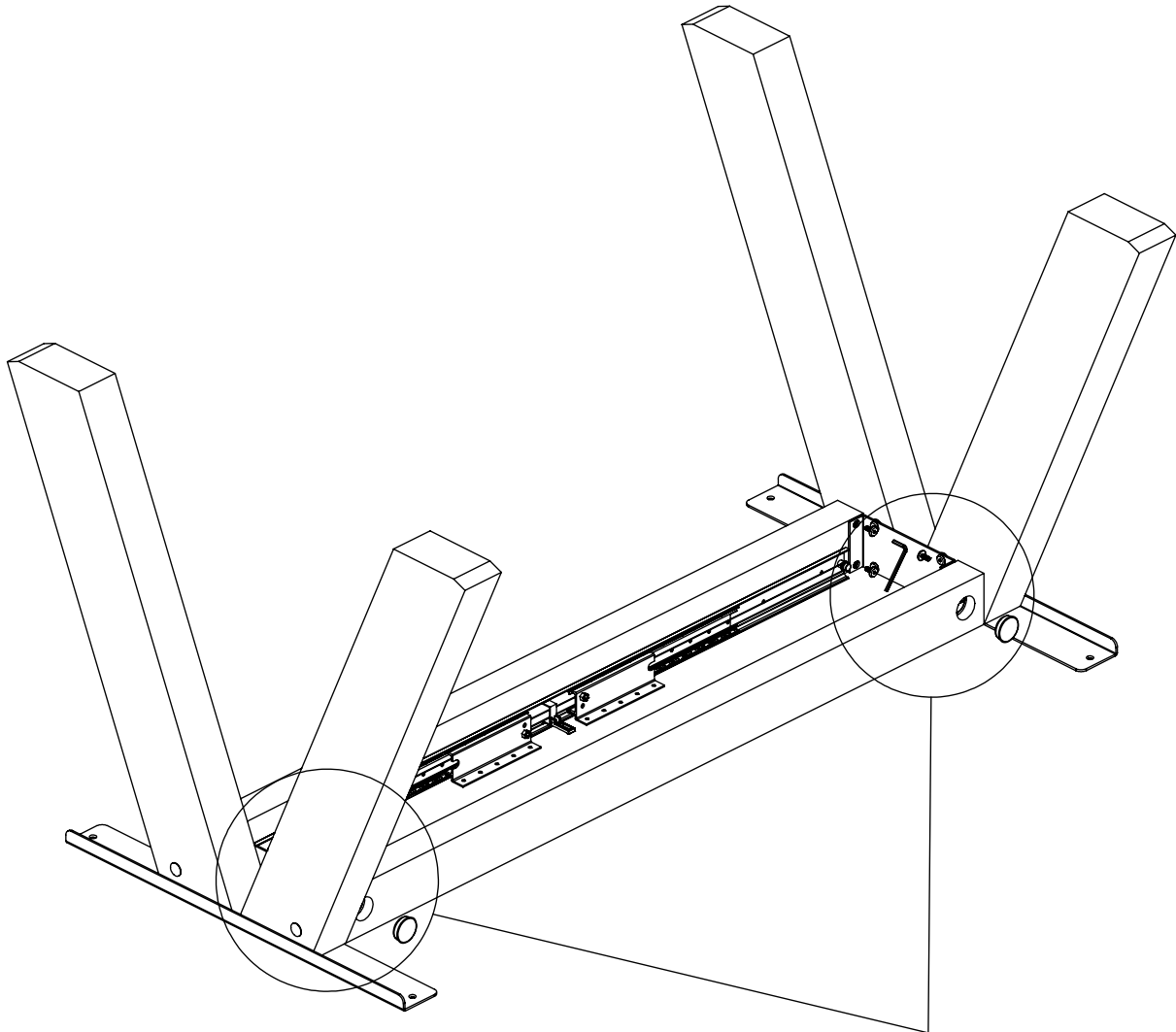
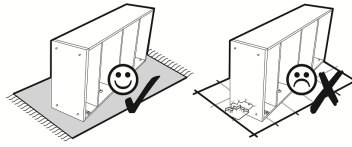


92x28x6mm


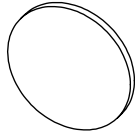


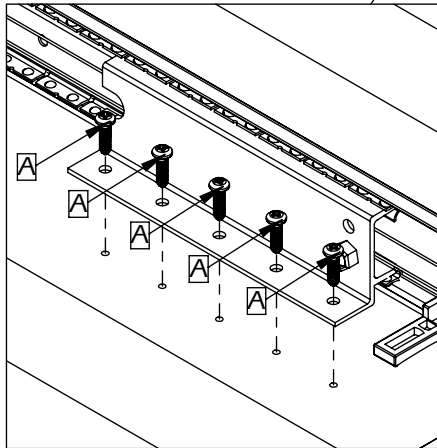
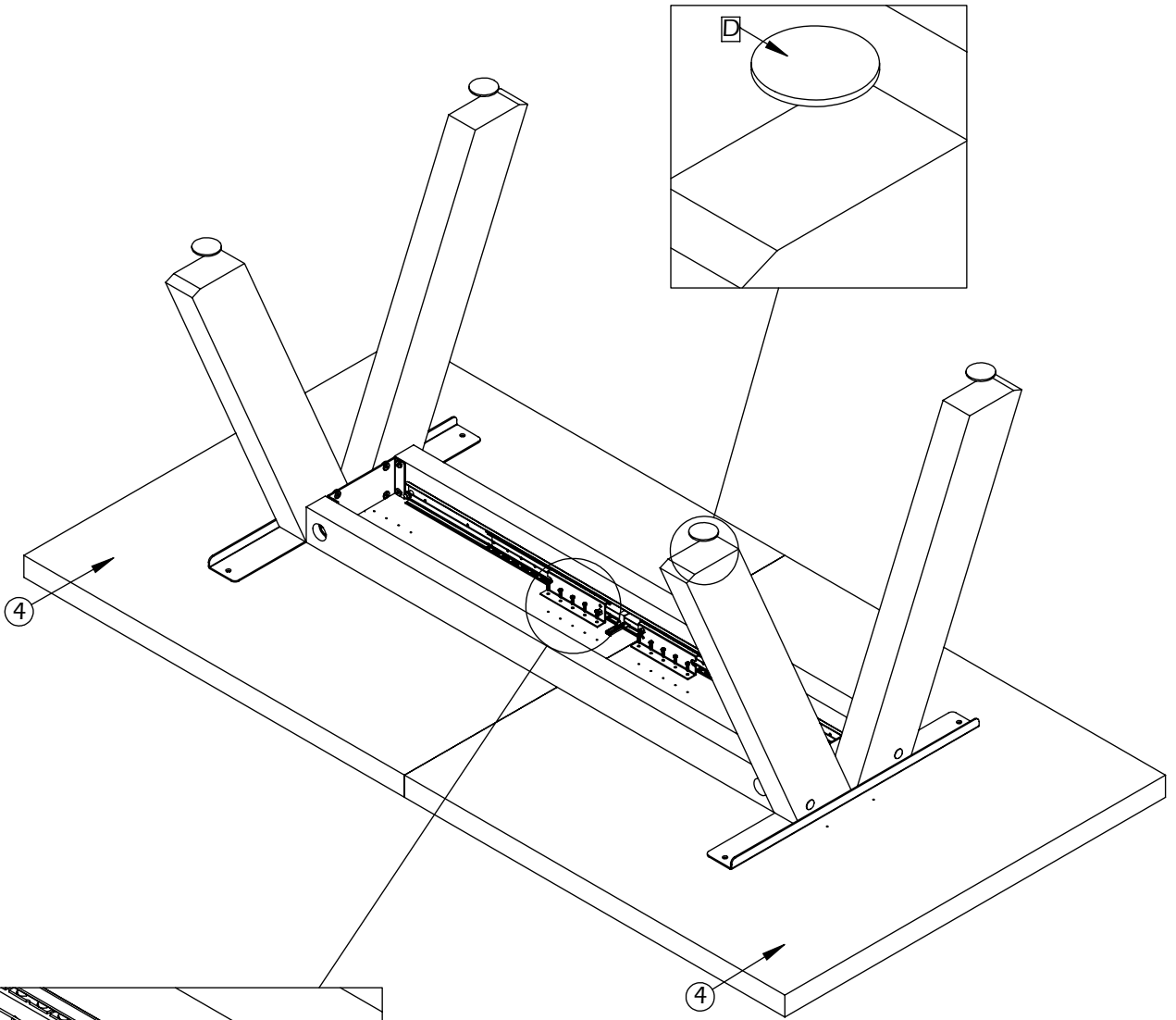
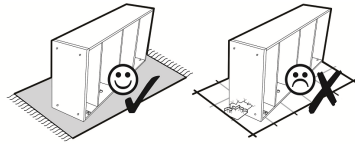
6

G-1x 	H-8x 	J-4x 
67X27x4mm	M6x16mm	Ø35x10mm



7

A-20x	D-4x
	
Ø3x16mm	Ø55x3,5mm



8

