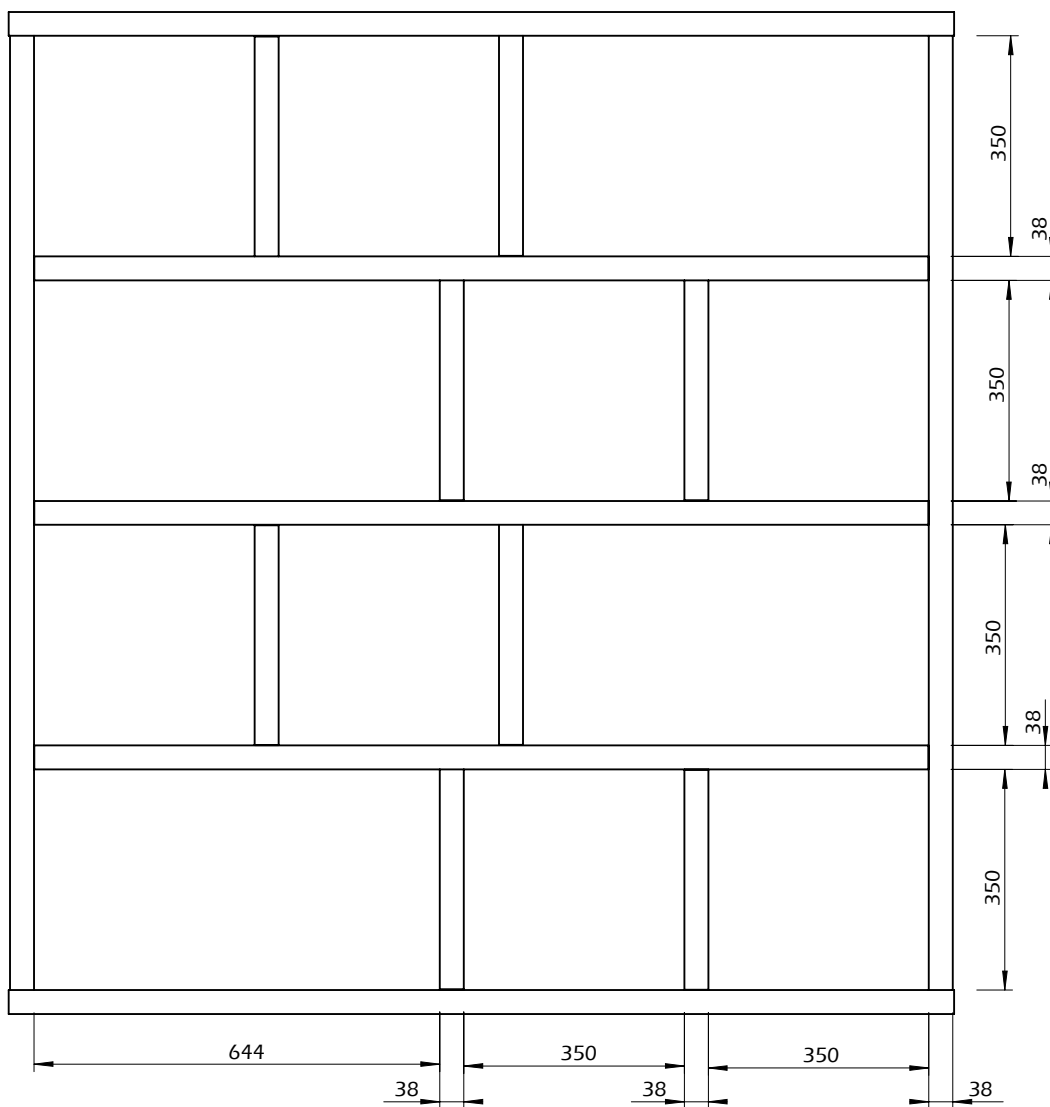
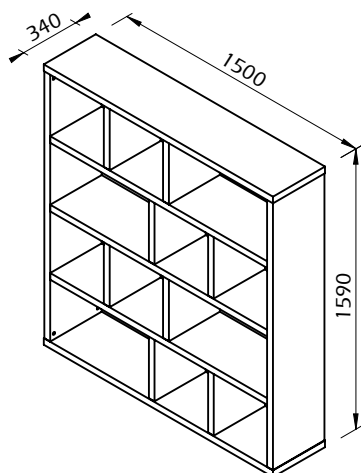
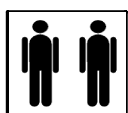


# Technical Information

BERLIN



50min



180kg