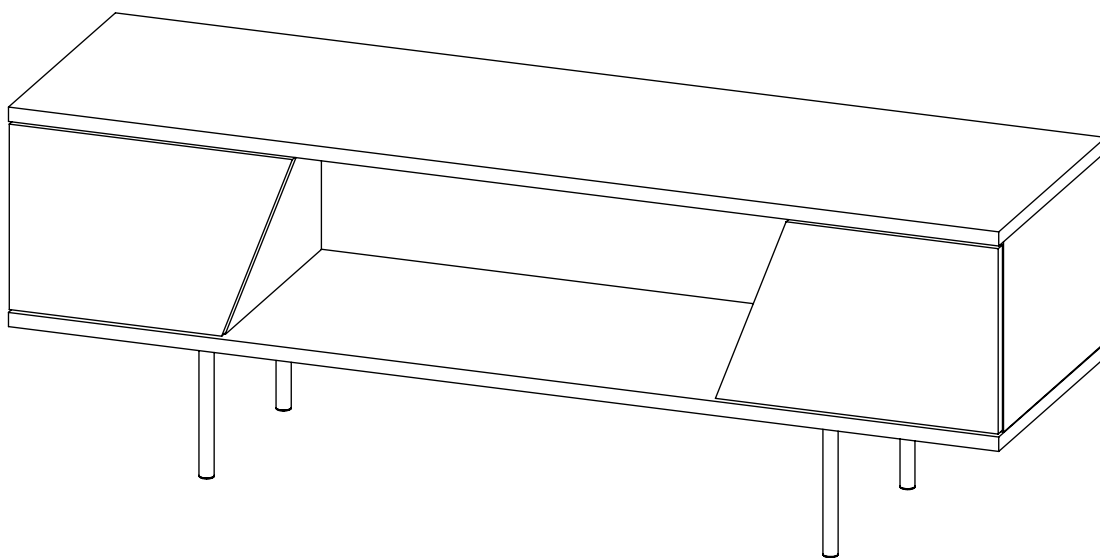






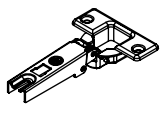

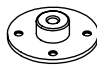



DIXIE

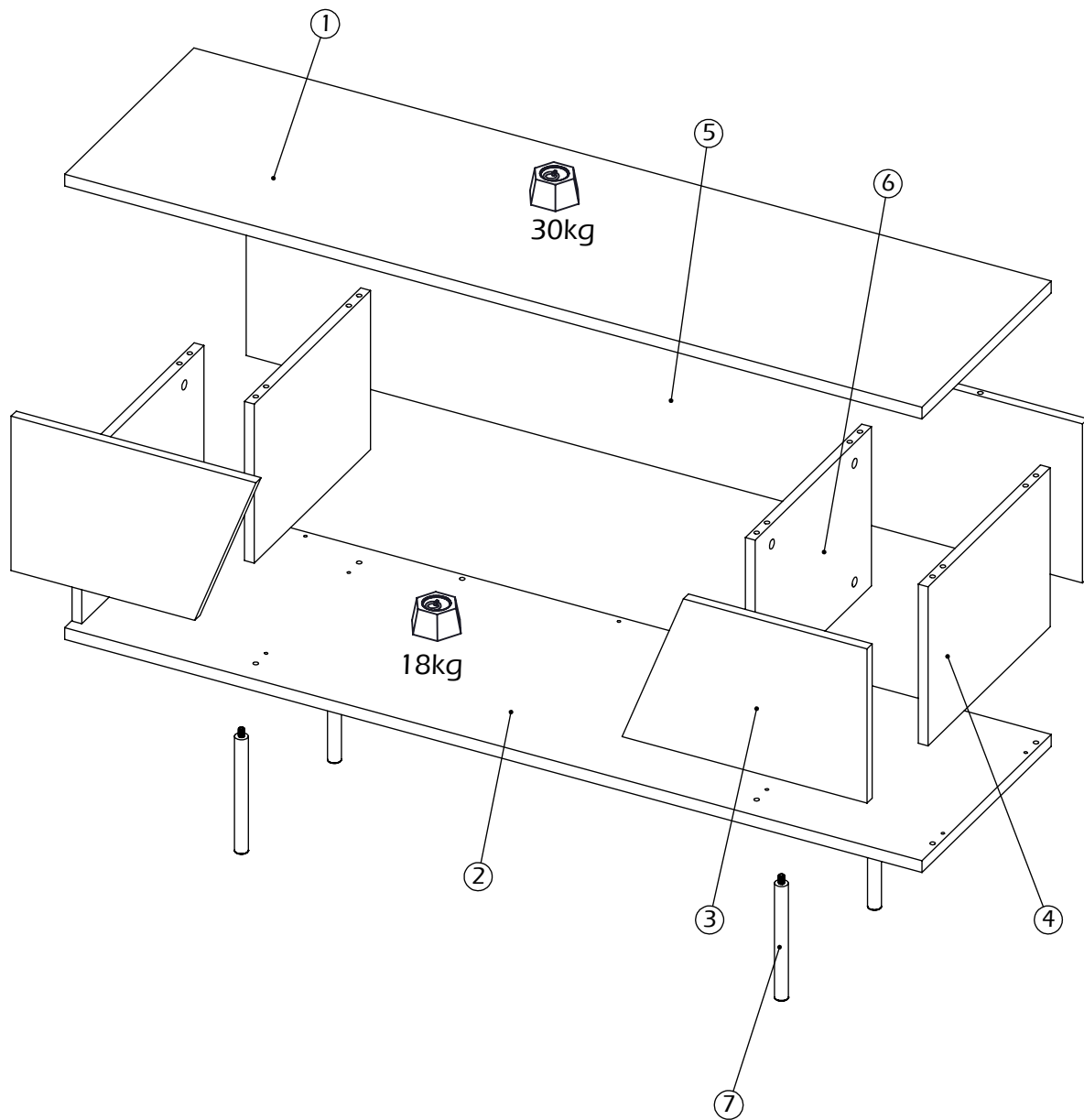


40mins




TEMAHOME
 7200.692/525/826/524

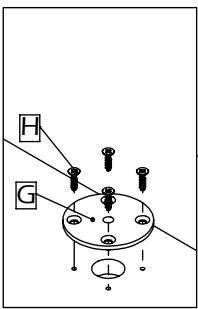
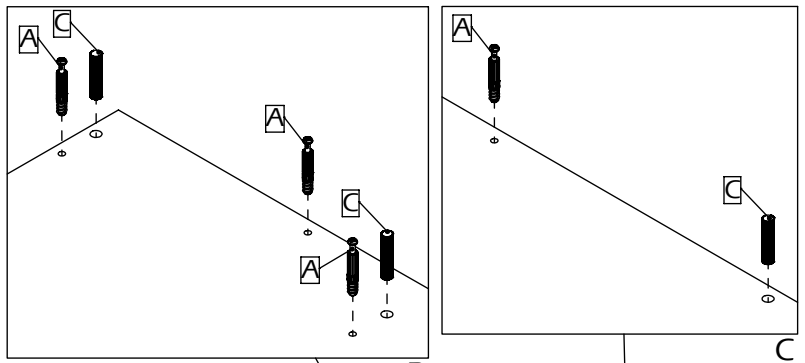
<p>A - 22x</p>  <p>Ø7x41mm 0512.041</p>	<p>B - 22x</p>  <p>Ø15x13mm 0512.042</p>						
<p>C - 20x</p>  <p>Ø8x35mm 0540.003</p>	<p>D - 4x</p>  <p>52x40x19mm 0511.004</p>	<p>E - 4x</p>  <p>103x62x20mm 0511.001</p>	<p>F - 4x</p>  <p>Ø7x1,5mm 0520.102</p>	<p>G - 4x</p>  <p>Ø60x14mm 0513.035</p>	<p>H - 32x</p>  <p>Ø4x16mm 0512.024</p>	<p>I - 1x</p>  <p>Ø67x24mm 0520.163/164</p>	<p>J - 22x</p>  <p>Ø20x1mm 0520.171/165</p>



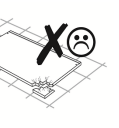
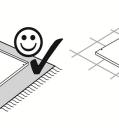
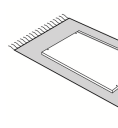
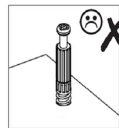
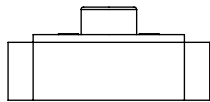
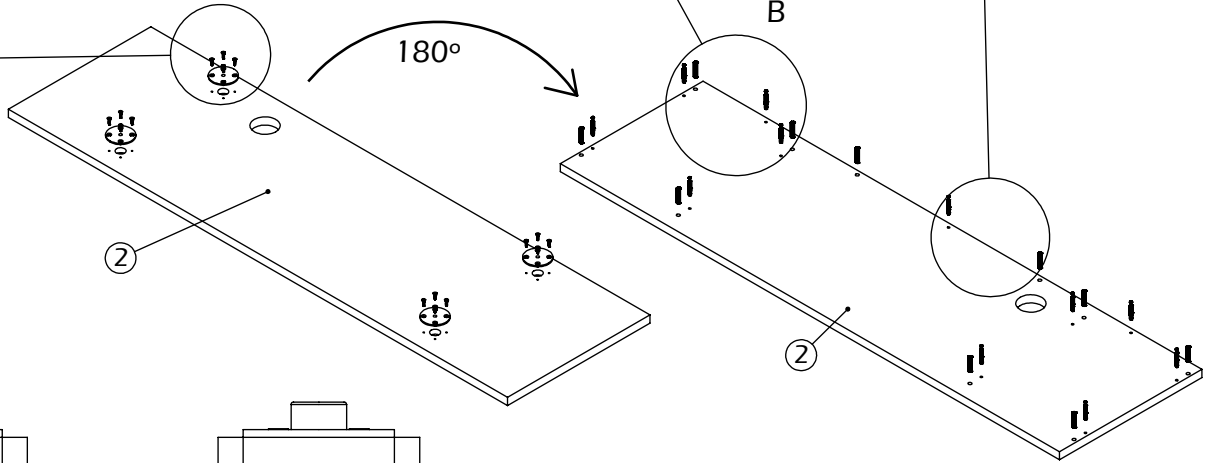
n°	x	mm
1	1	1400x400x20
2	1	1400x400x19
3	2	400x260x16
4	2	378x268x16
5	1	1366x268x16
6	2	360x268x16
7	4	206xØ20

1

A-x11	C-x10	G-x4	H-x16
Ø7x41mm	Ø8x35mm	Ø60x14mm	Ø4x16mm

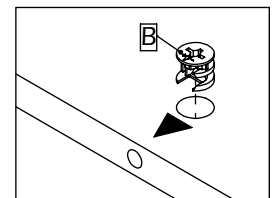
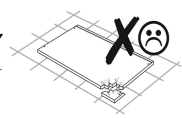
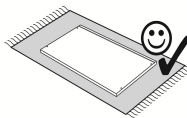


A

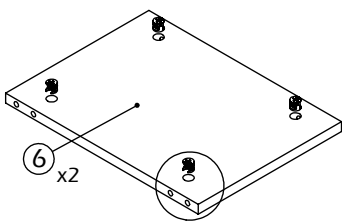


2

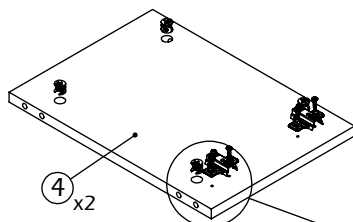
B-x22	D-x4	H-x8
Ø15x13mm	52x40x19mm	Ø4x16mm



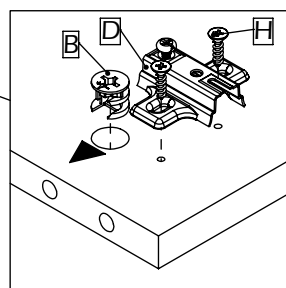
D



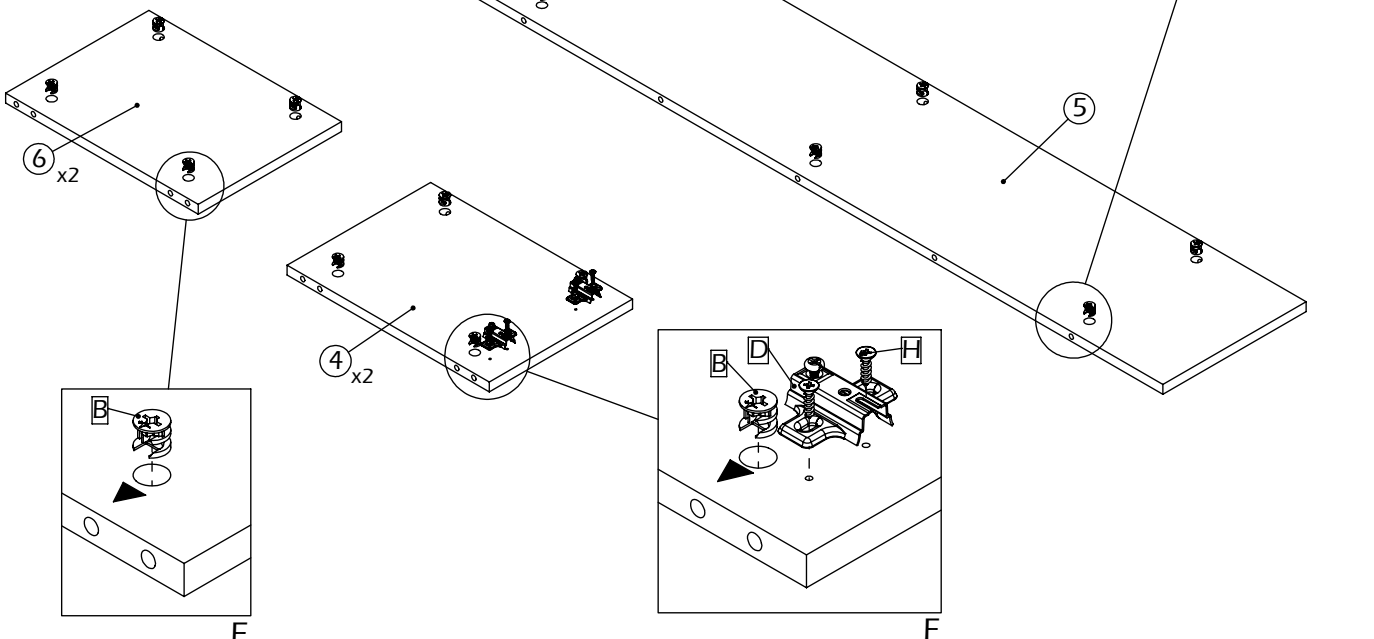
6 x2

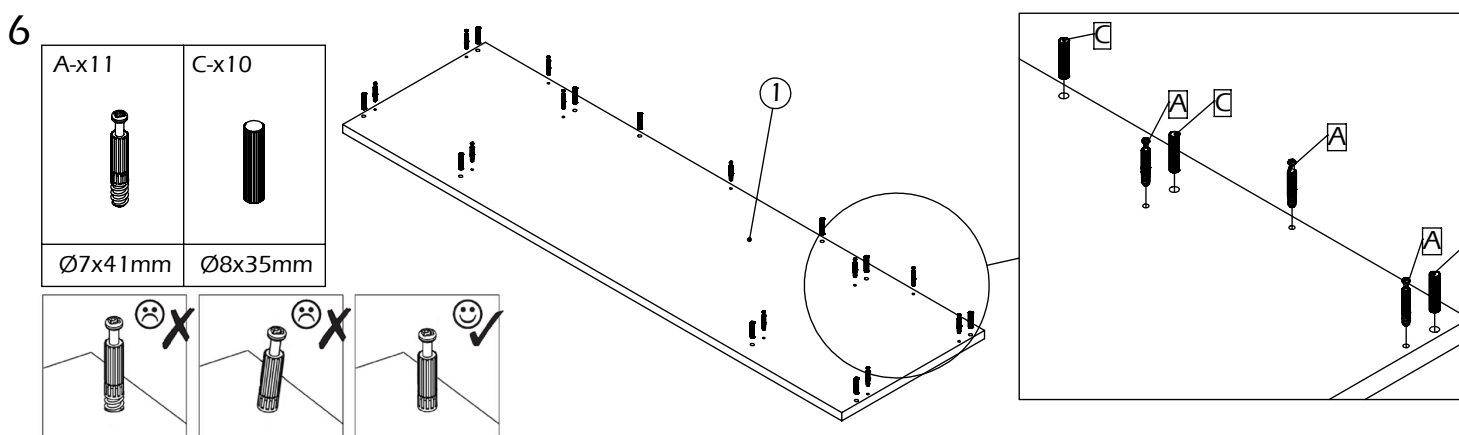
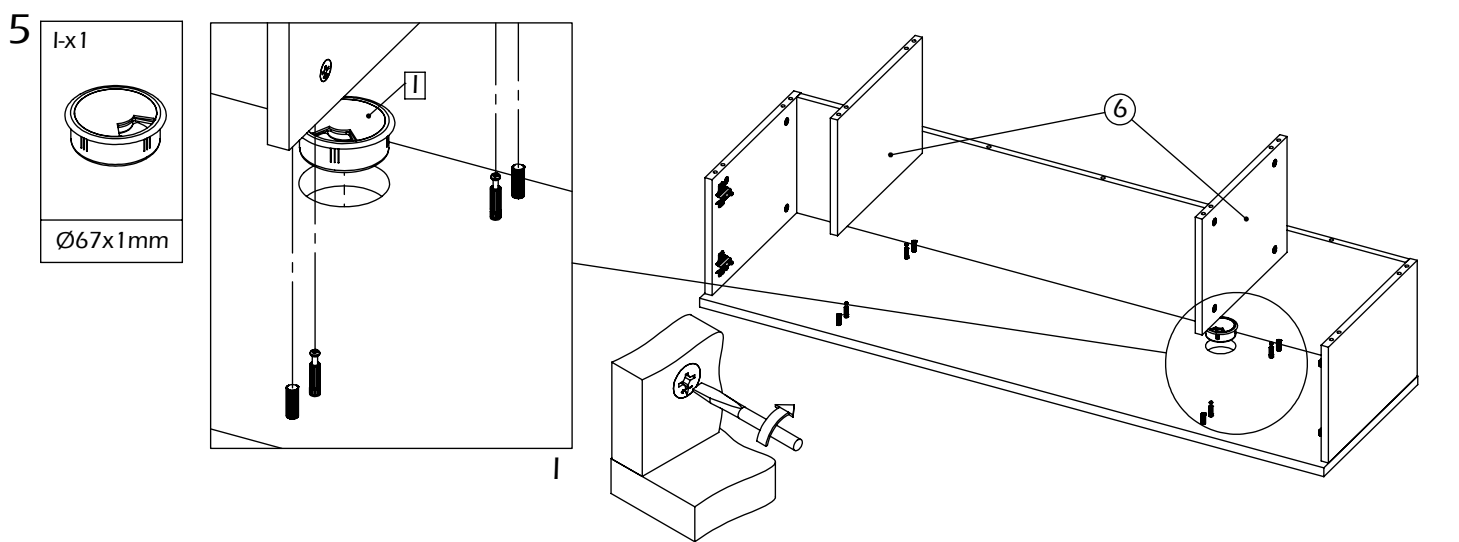
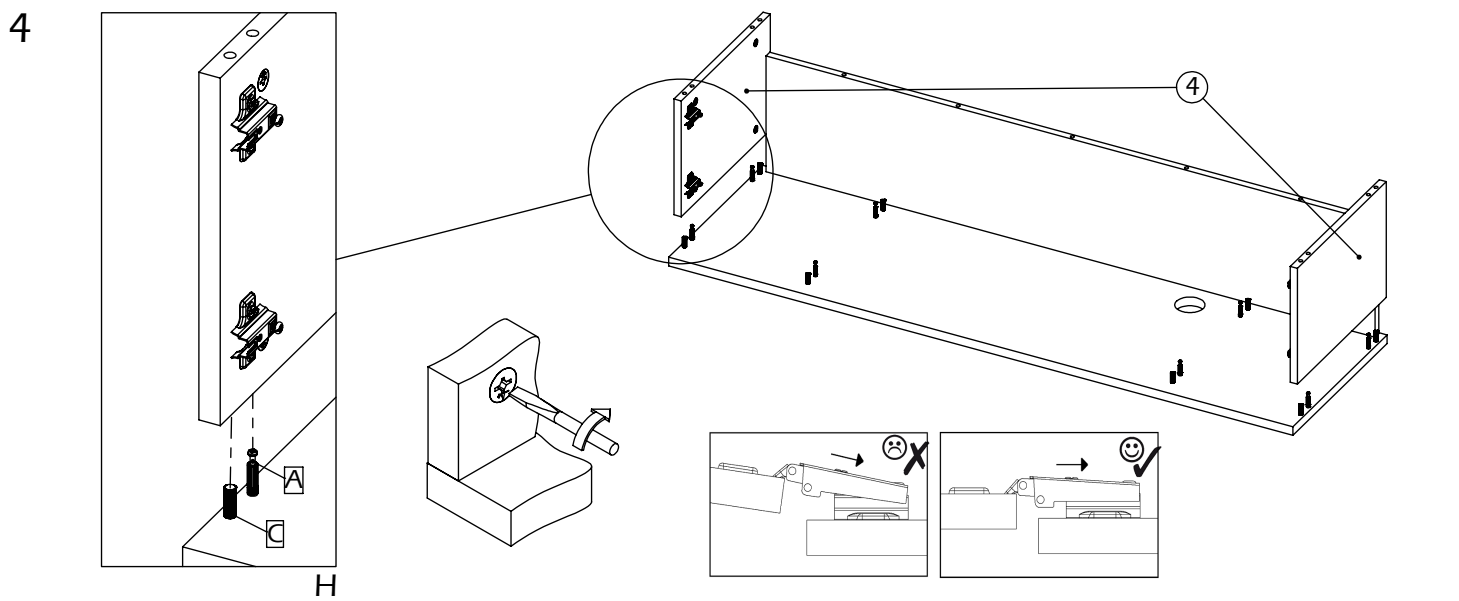
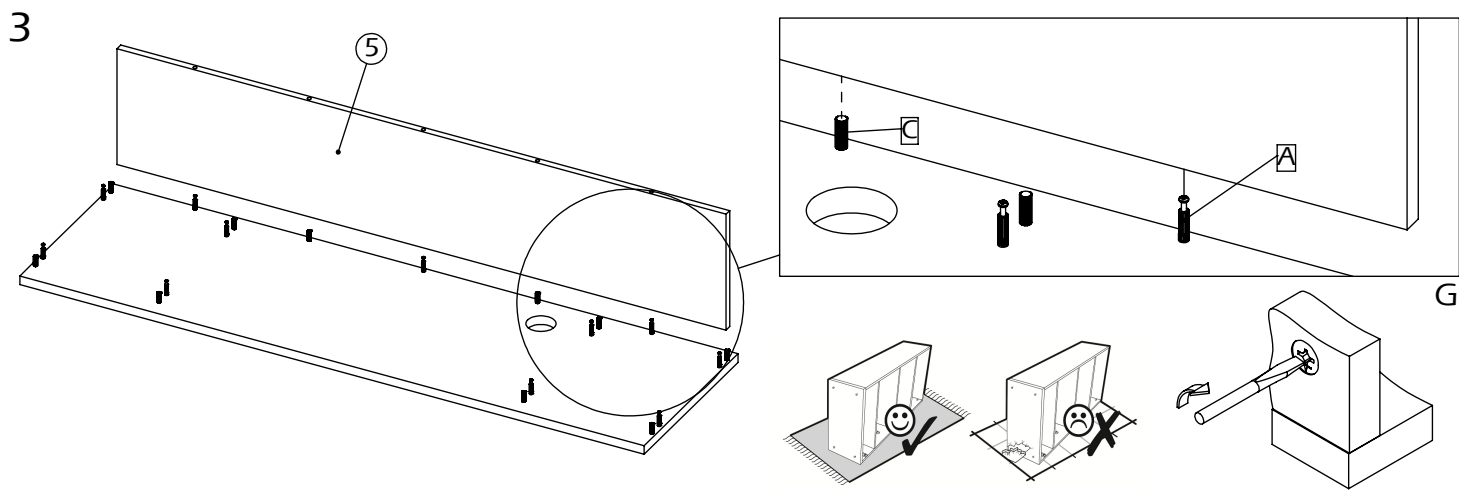


4 x2

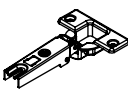



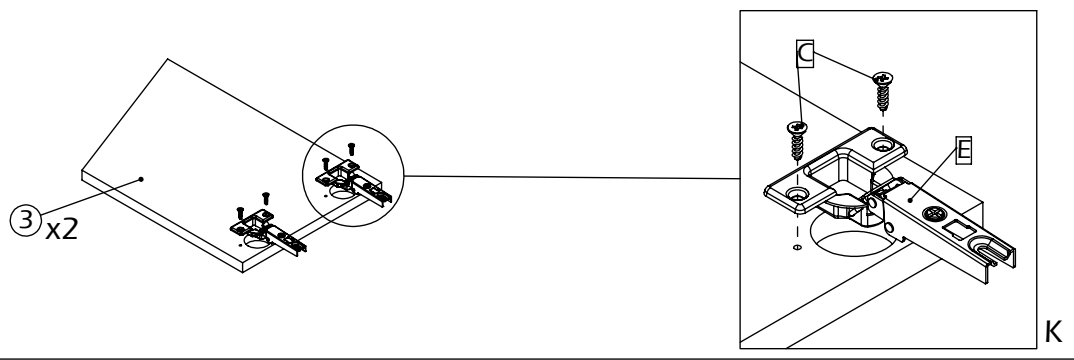
F







7

E-x4	H-x8
	
103x62x20mm	Ø4x16mm



8

F-x4	J-x22
	
Ø7x1,5mm	Ø20x1mm

