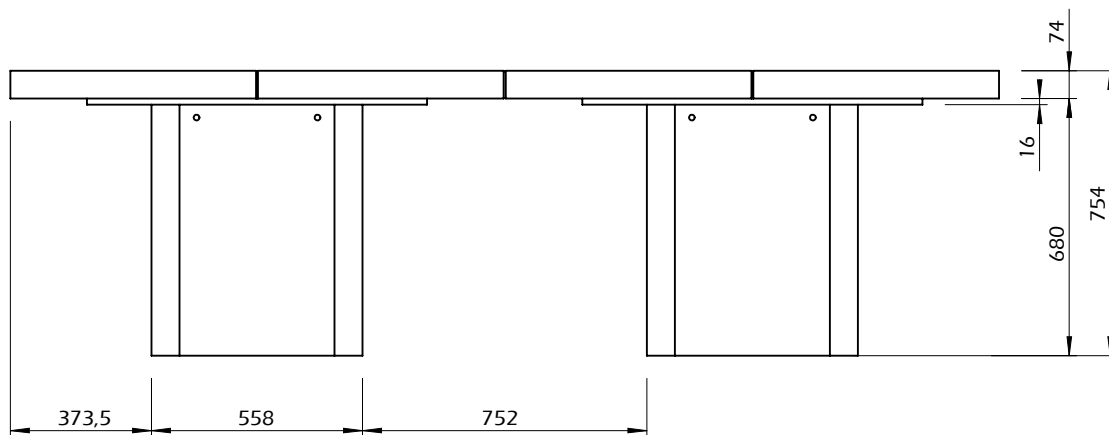
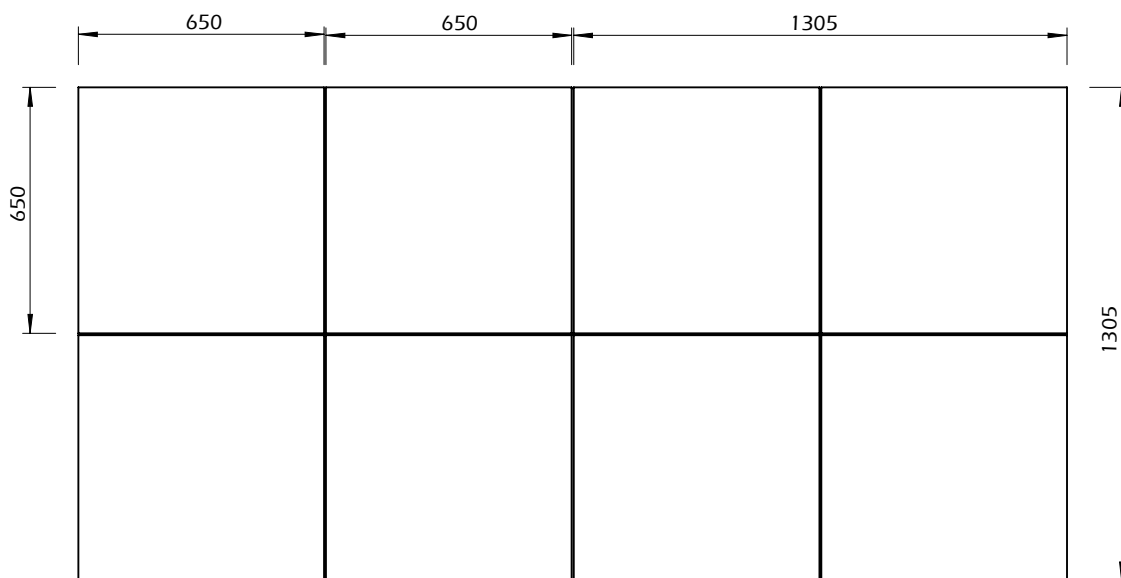
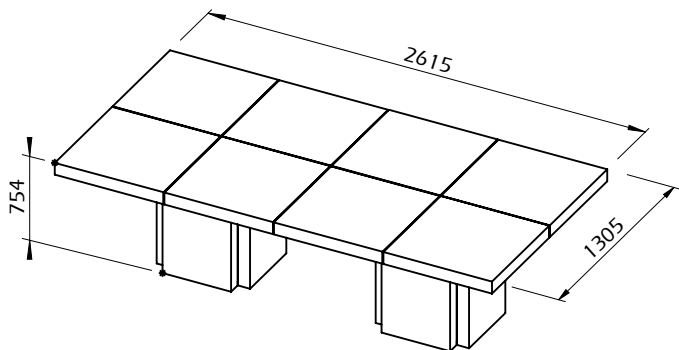


# Technical Information

DUSK 02



60min  
x2

50kg  
x2

10x

IT-1363-STD/02