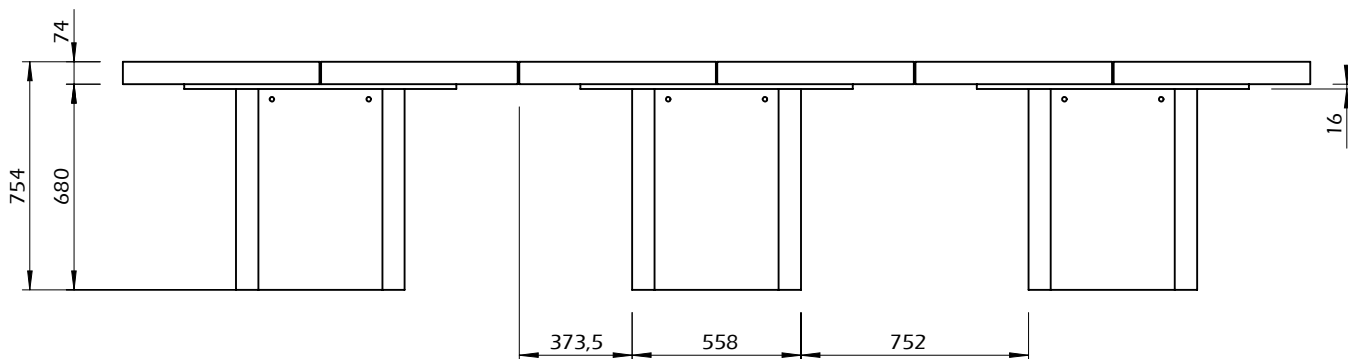
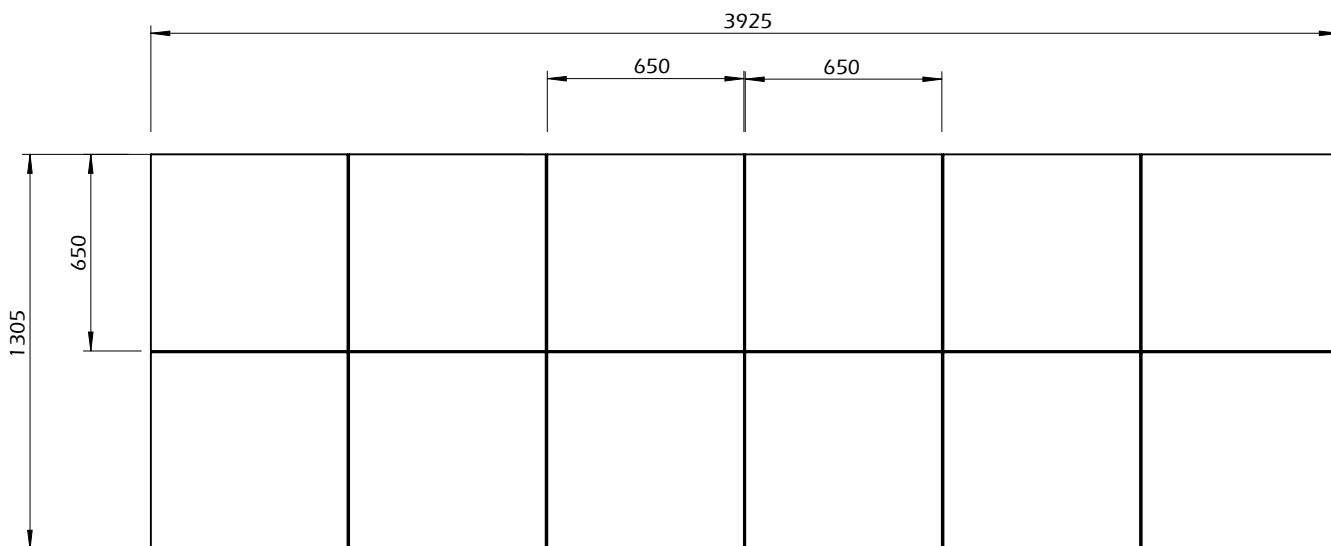
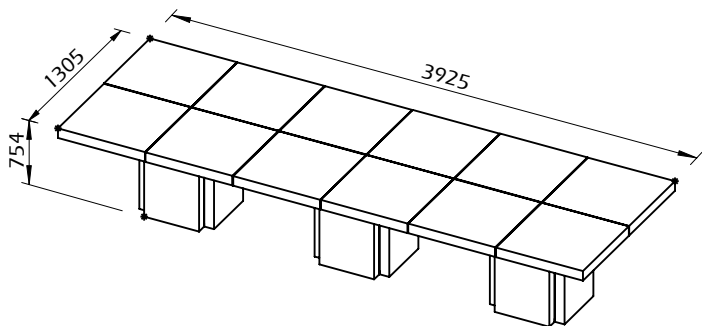


Technical Information

DUSK 03



60min
x3

50kg
x3

14x

IT-1363-STD/02