

EVA.II chair family



QUALITY STANDARD

- EN 1335-1:2020
- EN 1335-2:2018

TECHNICAL INFORMATION

Types

- Executive, task chairs.

Seat

- Foam made of polyurethane.

Back

- Frame made of black or white plastic;
- Upholstered with mesh.

Lumbar support

- Height adjustable;
- Made of white or black plastic.

Armrests

- Two types of fixed black plastic armrests;
- Height adjustable black or white plastic armrests;
- 2D (two directions) adjustable black plastic armrests with soft PU (polyurethane) pads.

Mechanism

- Epron: mechanism with synchronized movement of seat and back, 5 locking positions of the backrest, tension adjustment with handwheel;
- Epron Plus: synchronized mechanism, 5 locking positions of the backrest, tension adjustment with quick side tension regulation by lever.

Gas lift

- Chromed or black colour;
- 120 mm run range.

Bases

- Five-star polished aluminium, black plastic with fiberglass;
- External Ø680 mm.

Headrest

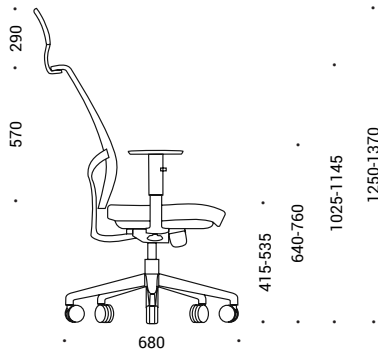
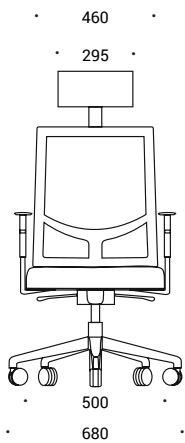
- Fixed;
- Made of soft polyurethane.

Castors

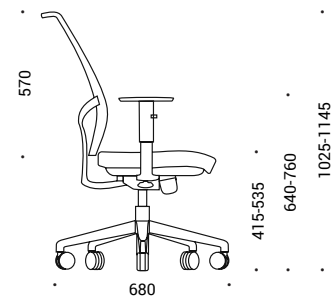
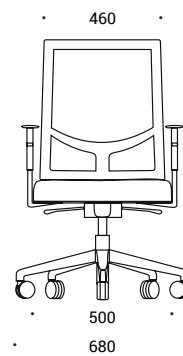
- Rubber free wheel castors for hard floor, Ø65 mm;
- PA (polyamide) free wheel castors for soft floor, Ø65 mm.

RANGE

Executive



Task



Optional



Fixed armrests



Fixed armrests



Height adjustable
white plastic armrests



Height adjustable
black plastic armrests



2D adjustable armrests
with soft PU pads