

MyTrash
RECLIPS

OUTDOOR
DINING & LOUNGE

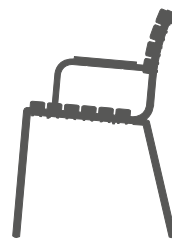
ReCLIPS is a collection of chairs with wide lamellas clipped onto a powder coated aluminum frame.

The lamellas are made from Danish household plastic waste and produced in Denmark. The plastic for the ReCLIPS collection contains 97% household plastic waste and 3% color pigment.

The expertise behind recycling plastic from households for furniture production is developed in Denmark. With ReCLIPS, you are essentially witnessing the result of mixing Danish design and Danish innovation, converting this new thinking and material into a chair.

ReCLIPS Dining, Rocking, and Lounge chairs come with the choice of aluminum or bamboo armrests. The aluminum frame, combined with the UV protected plastic lamellas, ensure that maintenance is kept to a minimum.

Designed by Henrik Pedersen



5 year warranty



uv protected



weather resistant



EN581



recycled plastic

HOUE



MyTrash
RECLIPS

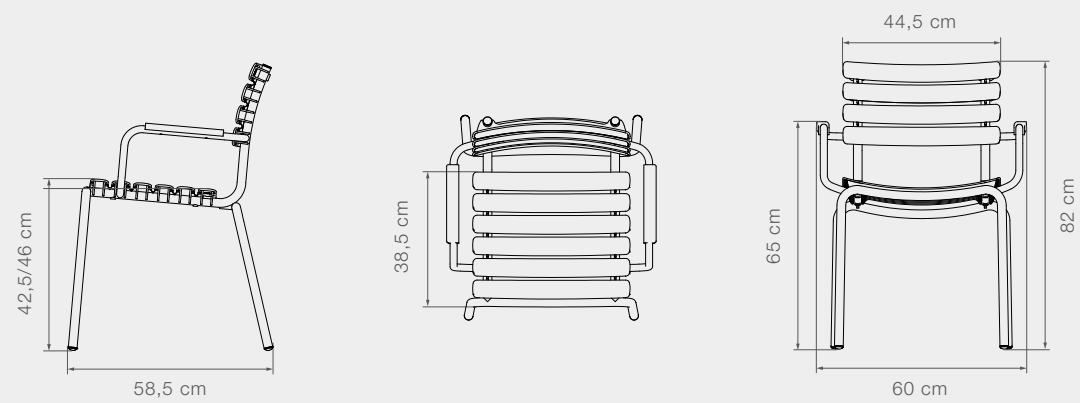
DINING & LOUNGE
SPECIFICATIONS

Lamellas made from Danish household plastic waste
Powder coated aluminum frame

Bamboo or powder coated aluminum armrest

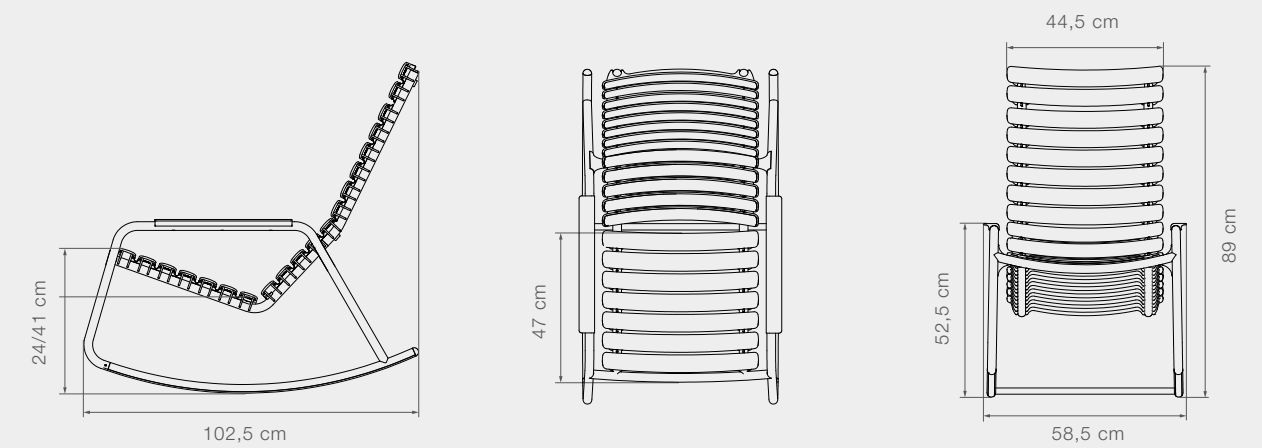
Maintenance: Oil / Repair lacquer

22302 RECLIPS Dining chair



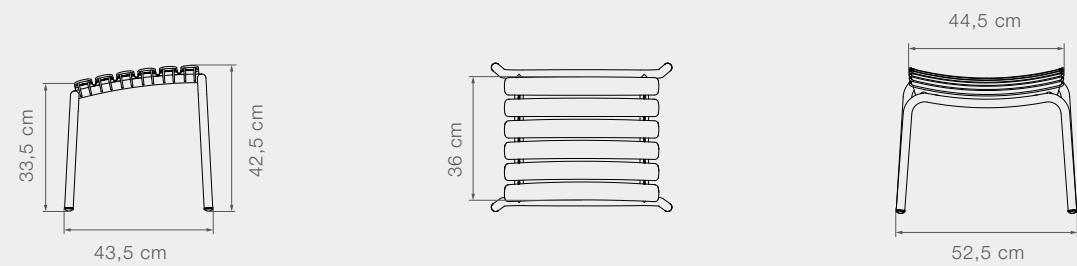
Product weight	3,9 kg // 8,6 lbs	Width	60 cm // 23,6 in	Seat width	44,5 cm // 17,5 in	Armrest height	65 cm // 25,6 in
Lamella size	25 mm // 1 in	Depth	58,5 cm // 23 in	Seat depth	38,5 cm // 15,2 in	Diameter	76,5 cm // 30,1 in
Lamella used	10 pcs	Height	82 cm // 32,3 in	Seat height	42,5/46 cm // 16,7/18,1 in	Stackable max	10 chairs

22303 RECLIPS Rocking chair



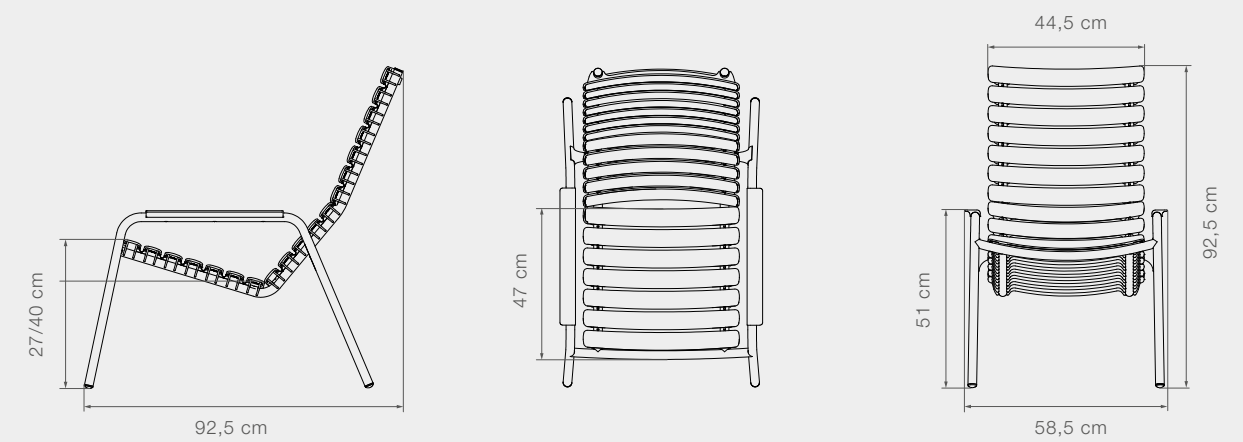
Product weight	8 kg // 17,6 lbs	Width	58,5 cm // 23 in	Seat width	44,5 cm // 17,5 in	Armrest height	52,5 cm // 20,7 in
Lamella size	Ø25 mm // 1 in	Depth	102,5 cm // 40,4 in	Seat depth	47 cm // 18,5 in	Diameter	110,7 cm // 43,6 in
Lamella used	20 pcs	Height	89 cm // 35 in	Seat height	24/41 cm // 9,5/16,1 in	Stackable max	10 chairs

22308 RECLIPS Footrest



Product weight	2,1 kg // 4,6 lbs	Width	52,5 cm // 20,7 in	Seat width	44,5 cm // 17,5 in	Diameter	67 cm // 26,4 in
Lamella size	Ø25 mm // 1 in	Depth	43,5 cm // 17,1 in	Seat depth	36 cm // 14,2 in		
Lamella used	6 pcs	Height	33,5/42,5 cm // 13,2/16,7 in	Seat height	N/A		

22306 RECLIPS Lounge chair



Product weight	6,5 kg // 14,3 lbs	Width	58,5 cm // 23 in	Seat width	44,5 cm // 17,5 in	Armrest height	51 cm // 20,1 in
Lamella size	Ø25 mm // 1 in	Depth	92,5 cm // 36,4 in	Seat depth	47 cm // 18,5 in	Diameter	103,1 cm // 40,6 in
Lamella used	19 pcs	Height	92,5 cm // 36,4 in	Seat height	27/40 cm // 10,6/15,7 in	Stackable max	10 chairs

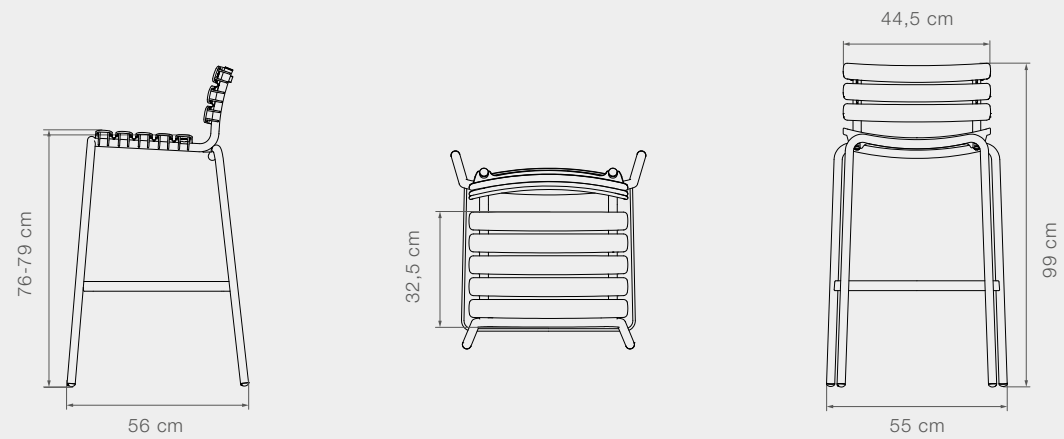
MyTrash
RECLIPS

DINING & LOUNGE
SPECIFICATIONS

Lamellas made from Danish household plastic waste
Powder coated aluminum frame

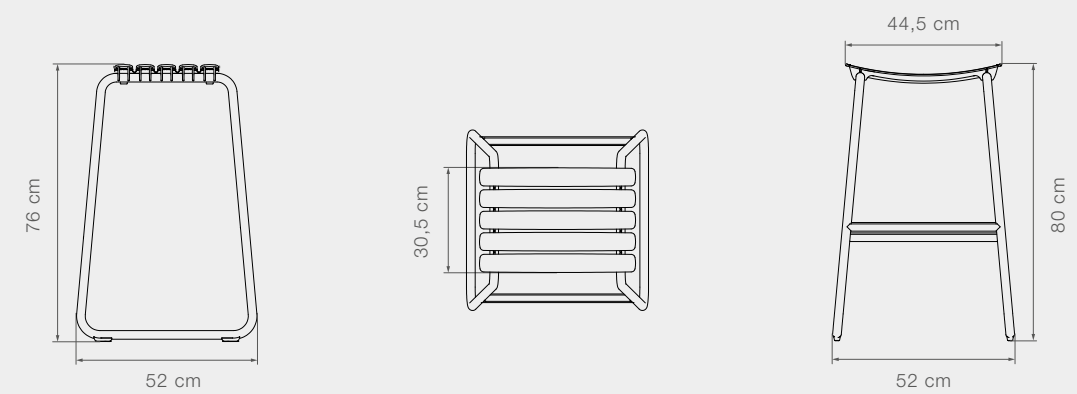
Maintenance: Repair lacquer

22305 RECLIPS Bar chair



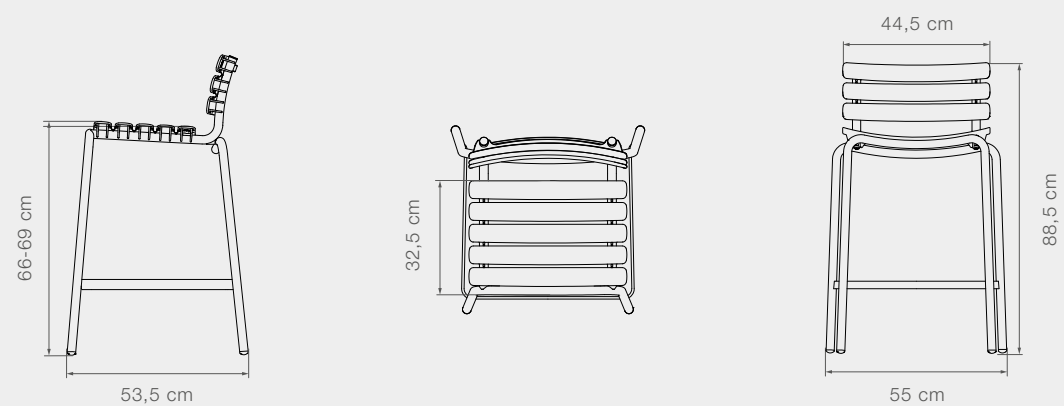
Product weight	3,7 kg // 8,2 lbs	Width	55 cm // 21,7 in	Seat width	44,5 cm // 17,5 in	Diameter	75,5 cm // 29,7 in
Lamella size	Ø25 mm // 1 in	Depth	56 cm // 22 in	Seat depth	32,5 cm // 12,8 in	Stackable max	10 chairs
Lamella used	8 pcs	Height	99 cm // 39 in	Seat height	76-79 cm // 29,9-31,1 in		

22307 RECLIPS Bar stool



Product weight	3,2 kg // 7,1 lbs	Width	52 cm // 20,5 in	Seat width	44,5 cm // 17,5 in	Diameter	72,5 cm // 28,5 in
Lamella size	Ø25 mm // 1 in	Depth	52 cm // 20,5 in	Seat depth	30,5 cm // 12 in	Stackable max	5 chairs
Lamella used	5 pcs	Height	80 cm // 31,5 in	Seat height	76 cm // 29,9 in		

22309 RECLIPS Counter chair



Product weight	3,5 kg // 7,7 lbs	Width	54,5 cm // 21,5 in	Seat width	44,5 cm // 17,5 in	Armrest height	N/A
Lamella size	Ø25 mm // 1 in	Depth	53,5 cm // 21,1 in	Seat depth	32,5 cm // 12,8 in	Diameter	N/A
Lamella used	8 pcs	Height	88,5 cm // 34,8 in	Seat height	66-69 cm // 26-27,2 in	Stackable max	10 chairs