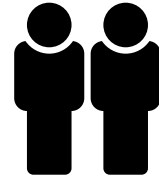
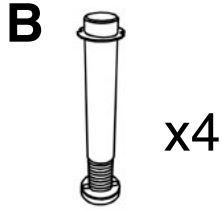
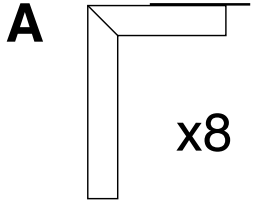


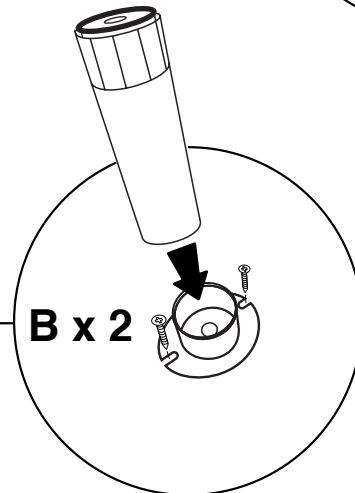
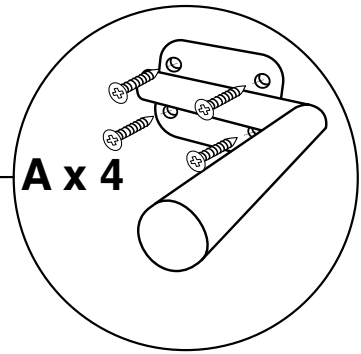
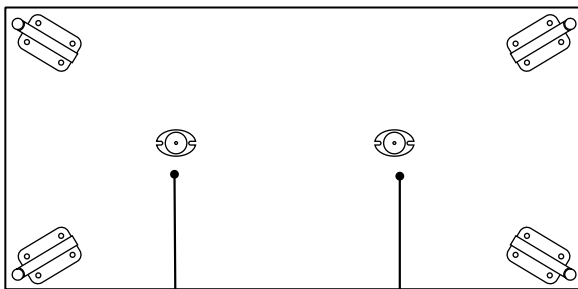
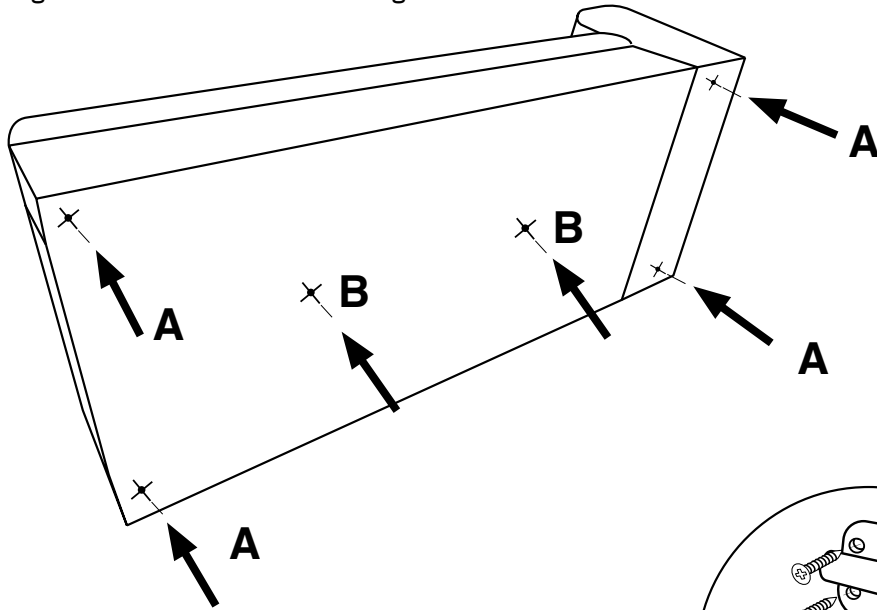
Malvin

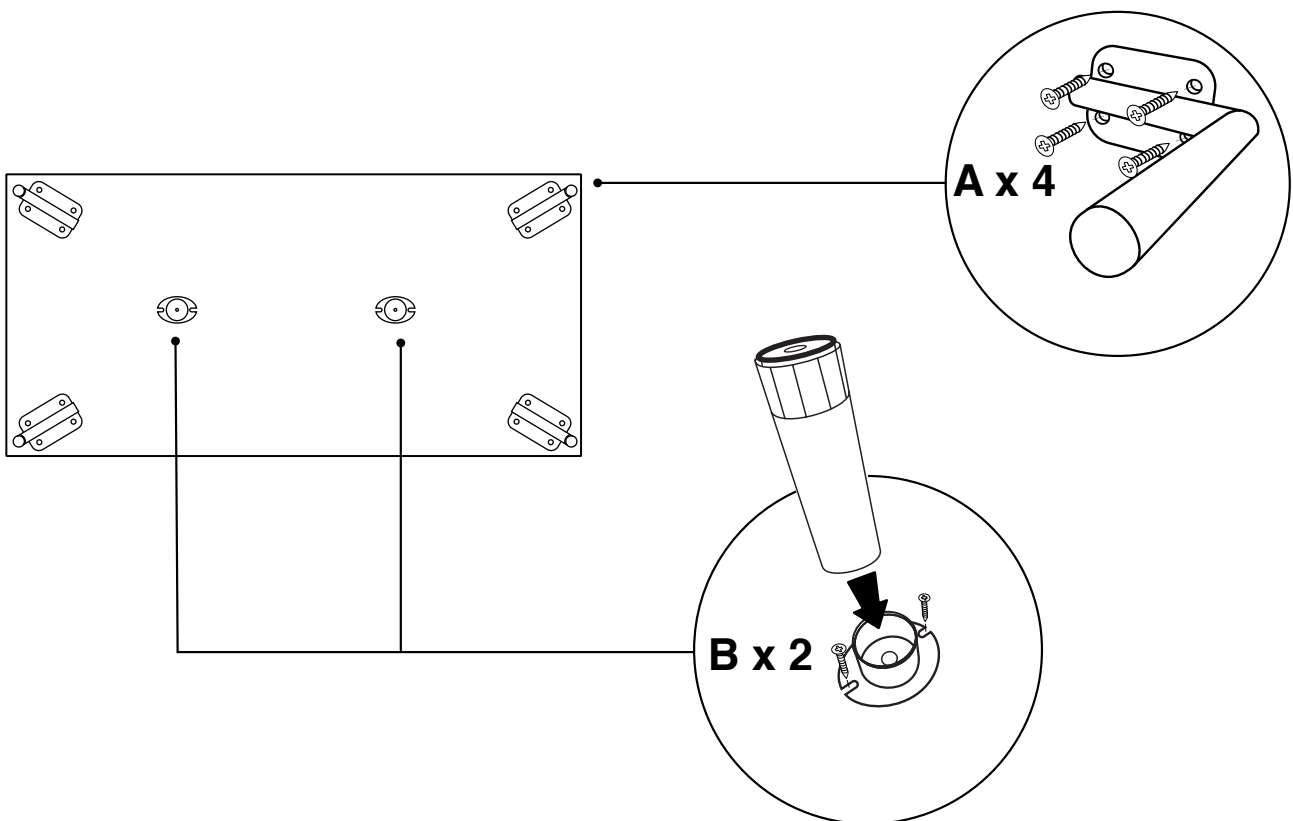
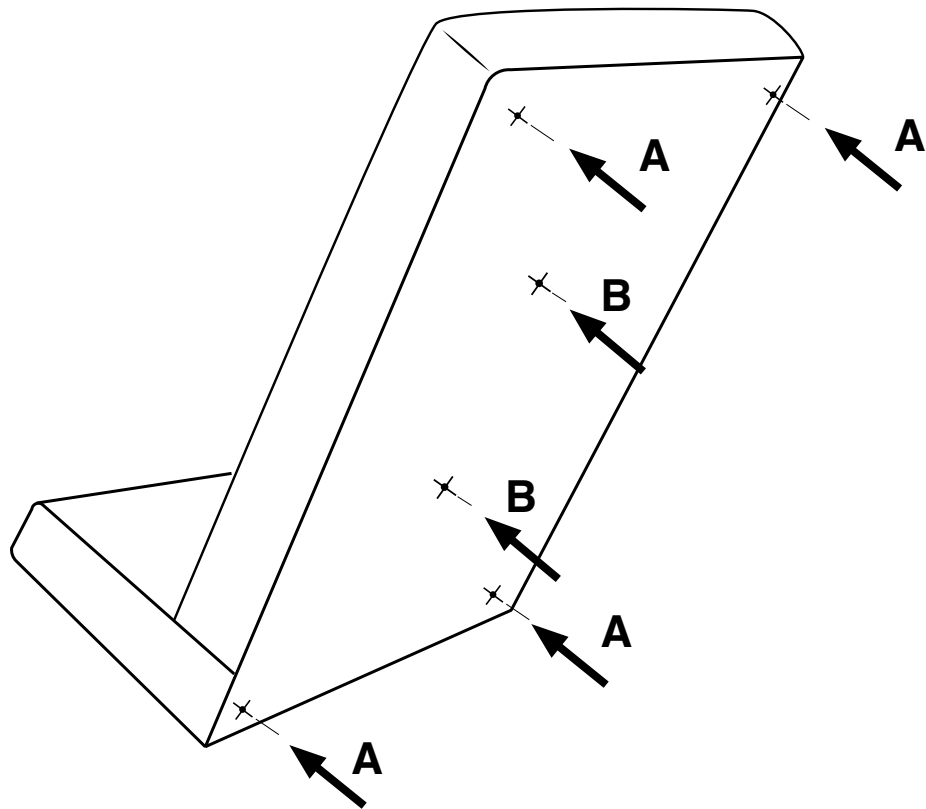
corner sofa



* the installation method for a right and left-sided sofa is analogues.

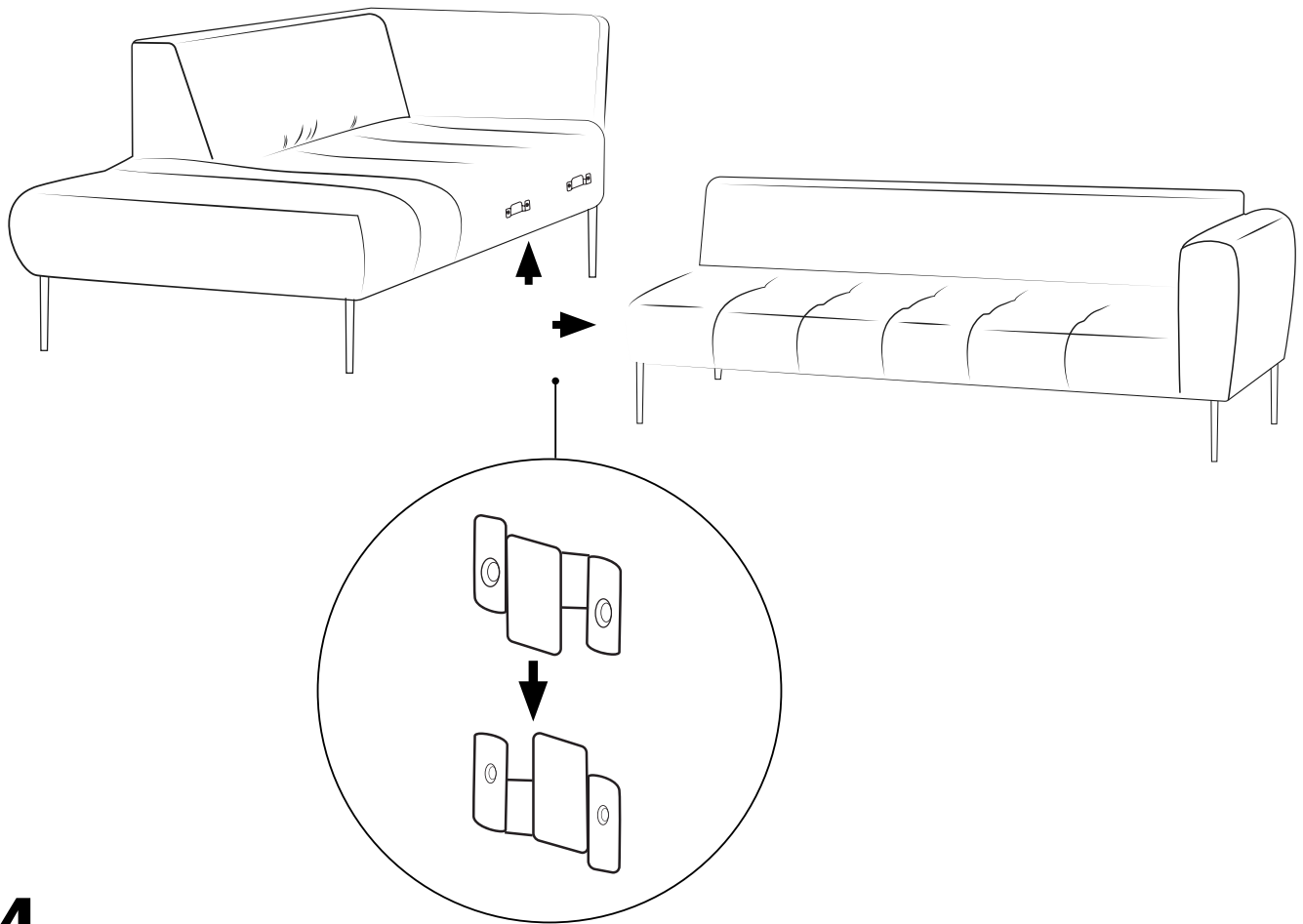
1



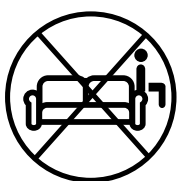
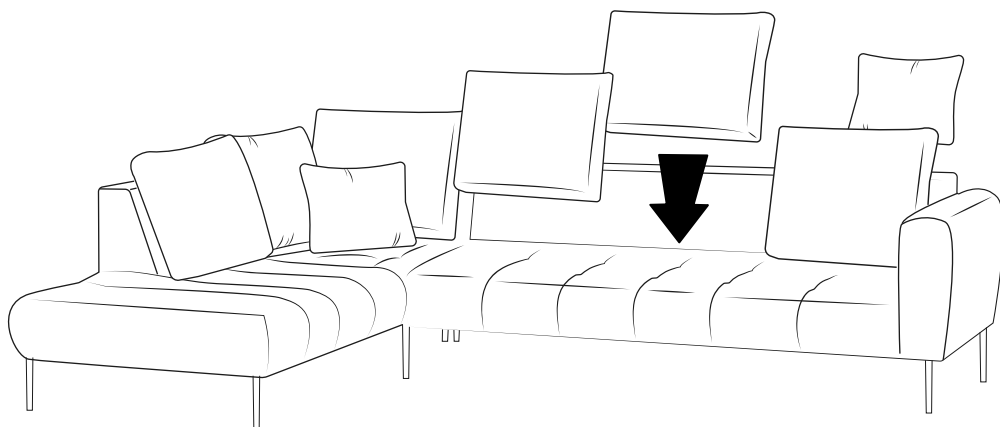


3

Malvin
corner sofa



4



3 of 3

SHAPE UP ALL PILLOWS AND CUSHIONS!

