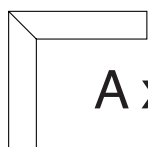


Mamaia

corner sofa

A



A x8

B

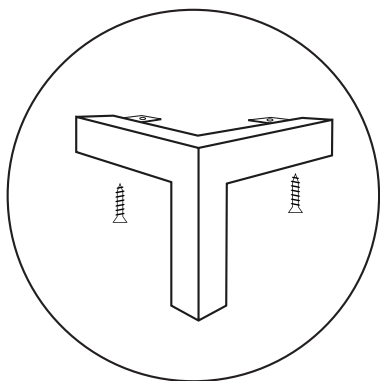
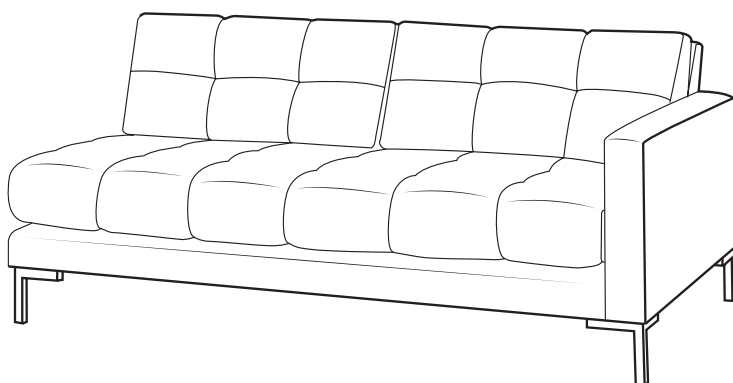


B x2

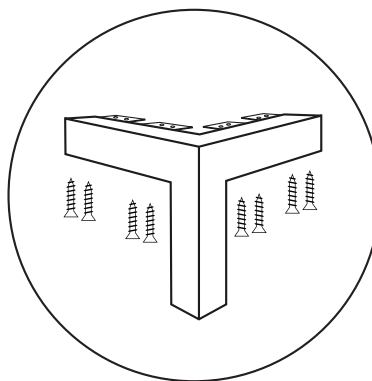


* the installation method for a right and left-sided sofa is analogous.

part A

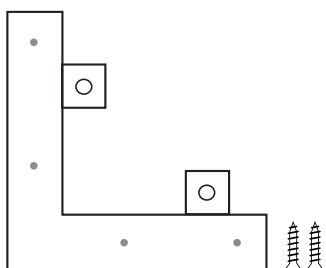


option 1

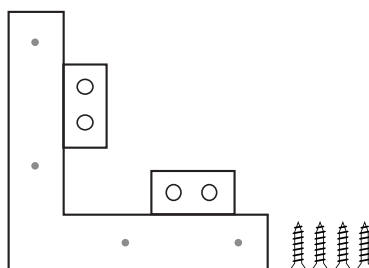


option 2

option 1



option 2

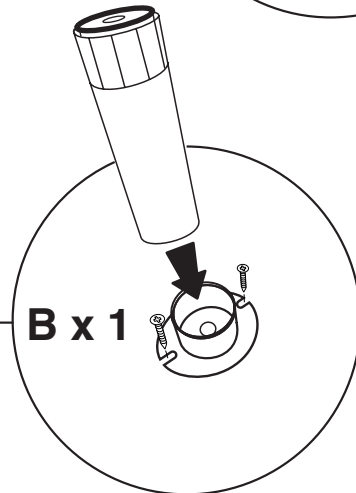
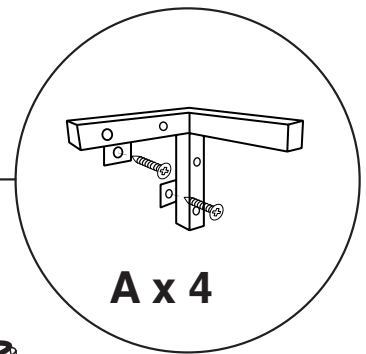
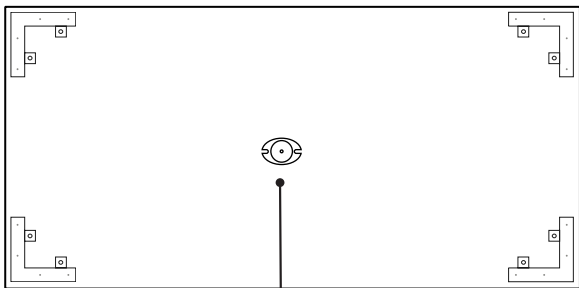
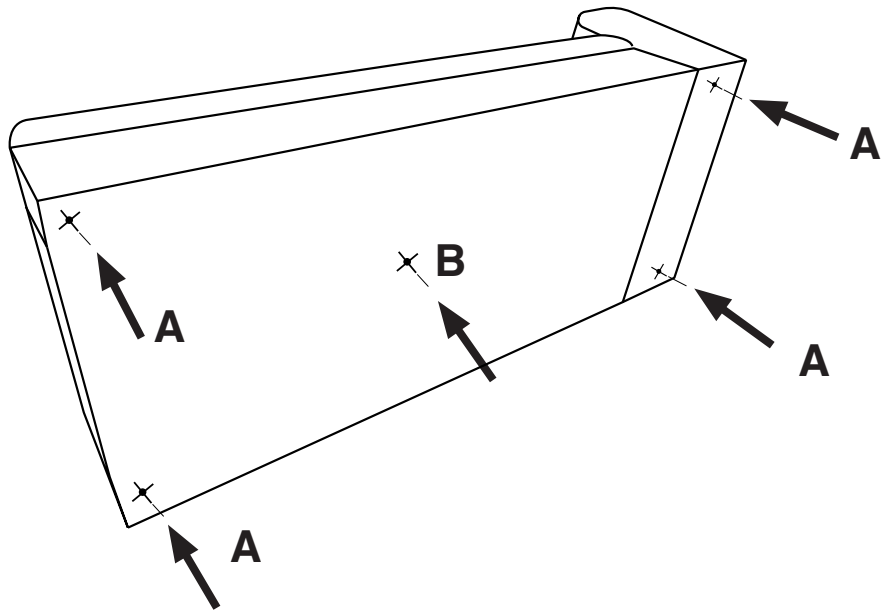


ATTENTION!

Legs should be mounted depending on the batch. Check the legs in your kit and mount them as instructed.

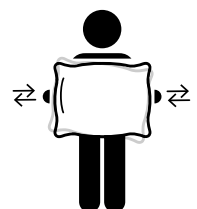
1

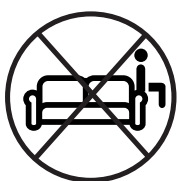
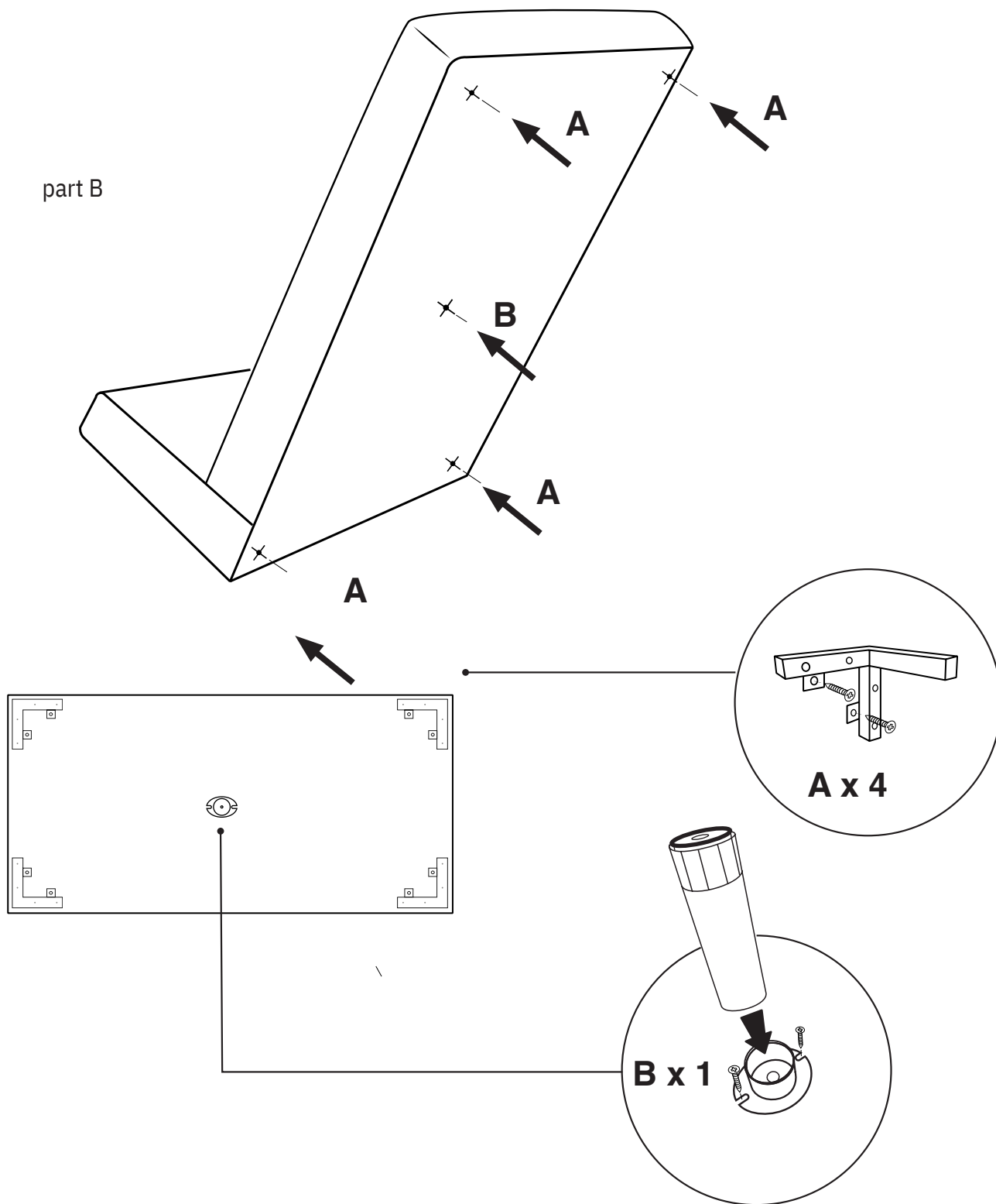
part A



2 of 4

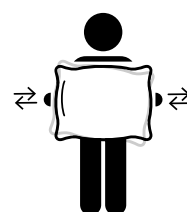
SHAPE UP ALL PILLOWS AND CUSHIONS!



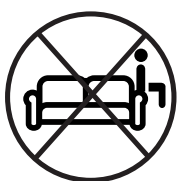
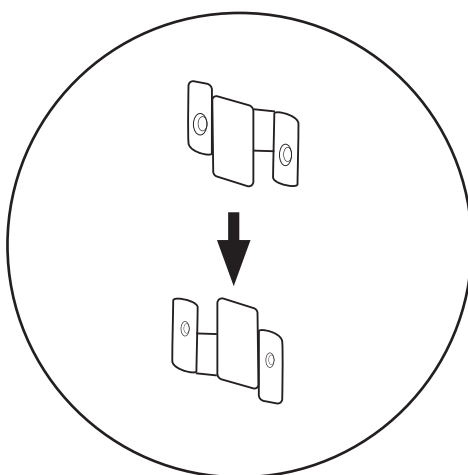
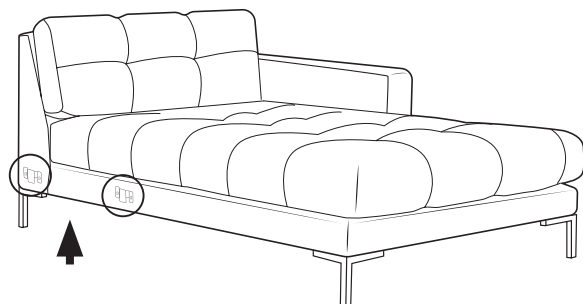
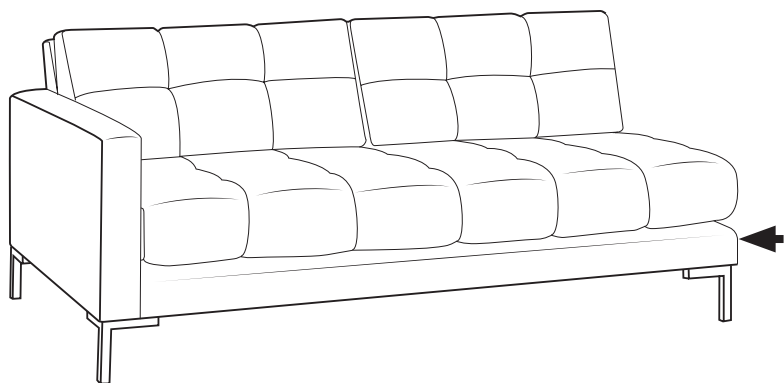


3 of 4

SHAPE UP ALL PILLOWS AND CUSHIONS!



part A + B



4 of 4

SHAPE UP ALL PILLOWS AND CUSHIONS!

