

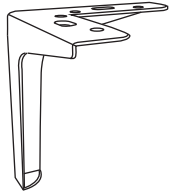
Marram

corner sofa

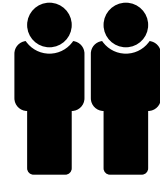
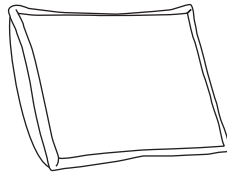
x32



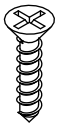
x8



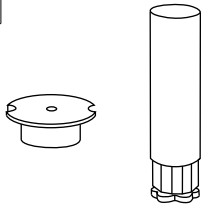
x8



x8

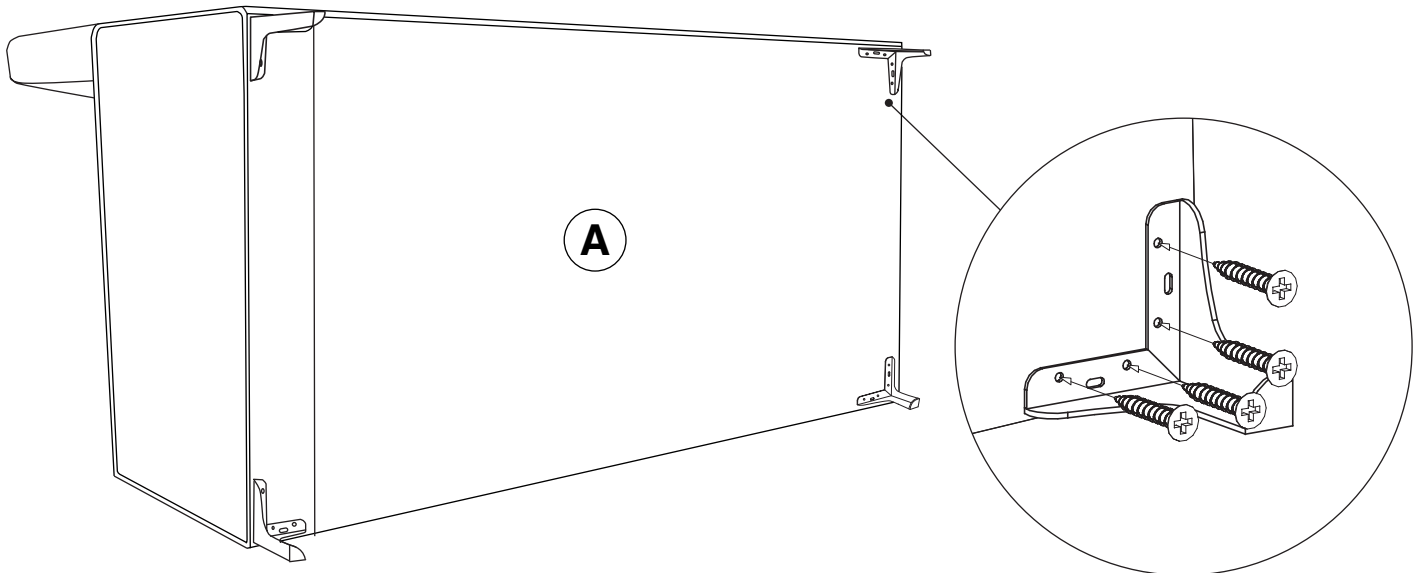


x4

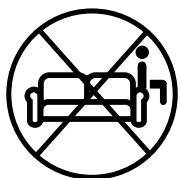


* the installation method for a right and left-sided sofa is analogous.

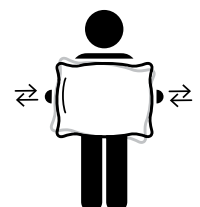
1



SHAPE UP ALL PILLOWS AND CUSHIONS!

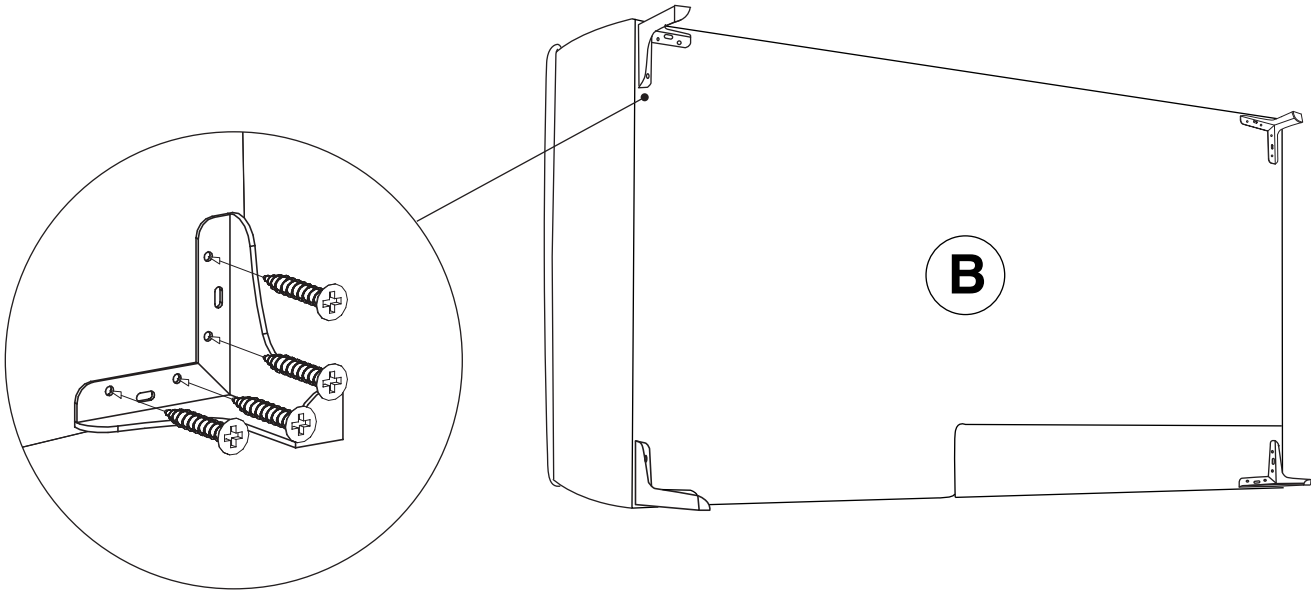


1 of 4

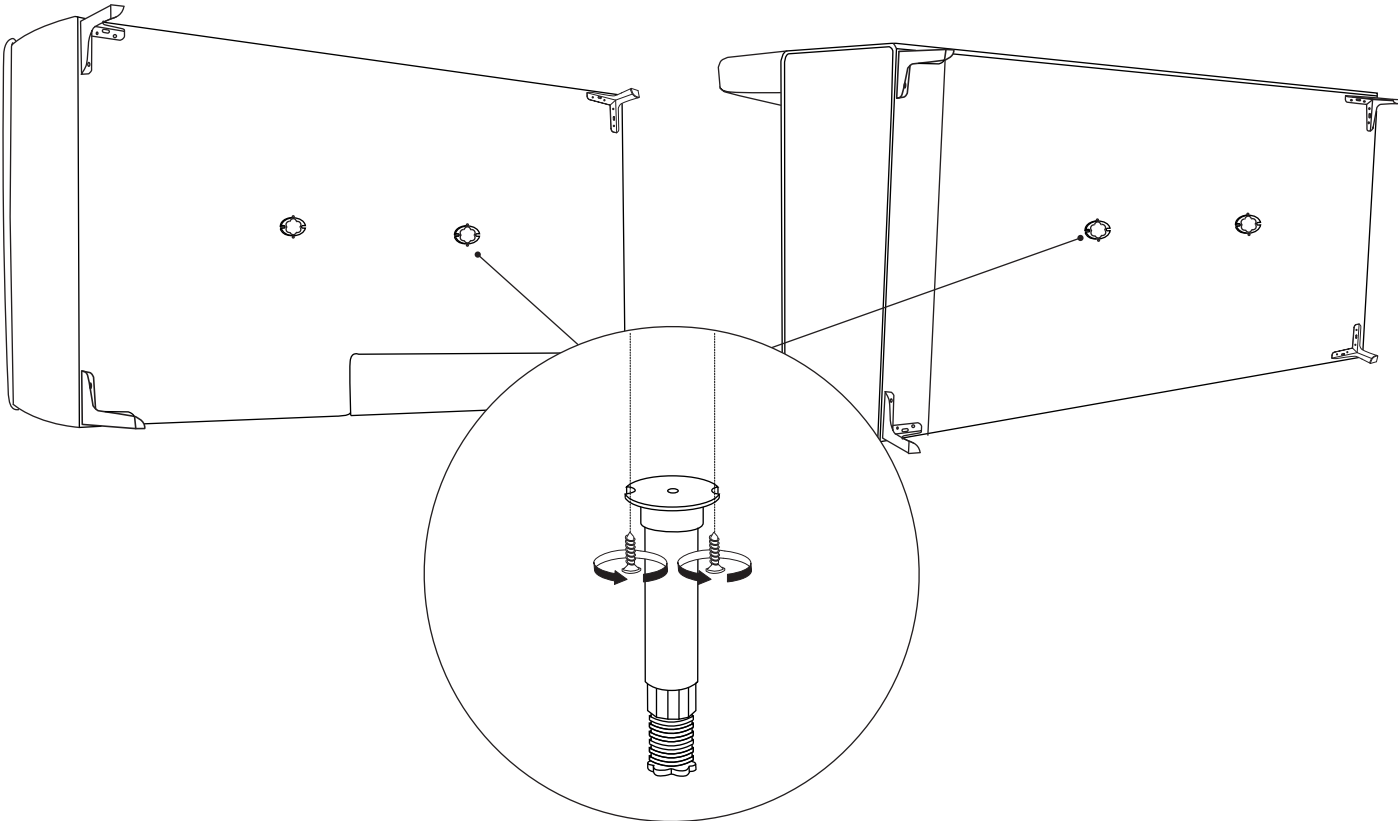
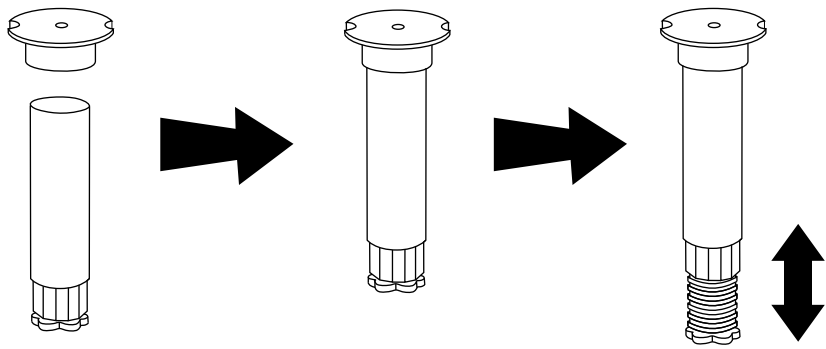


2

Marram
corner sofa

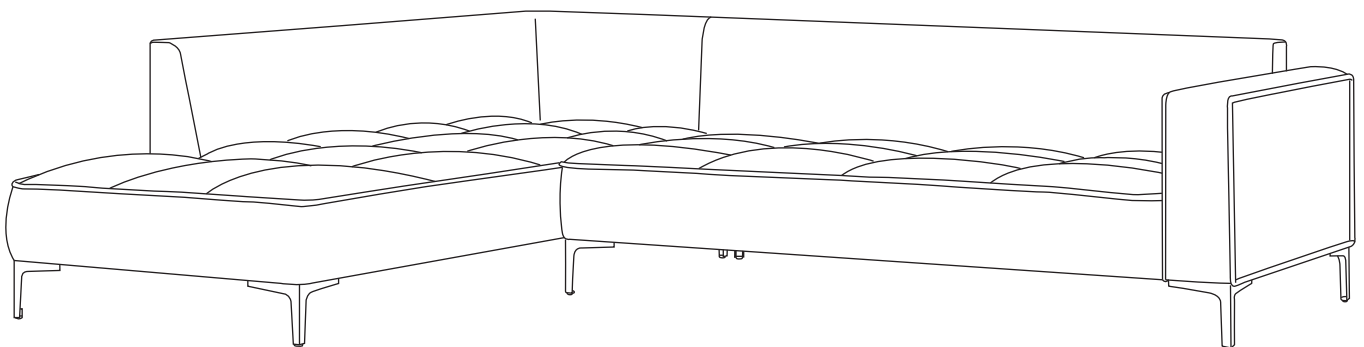
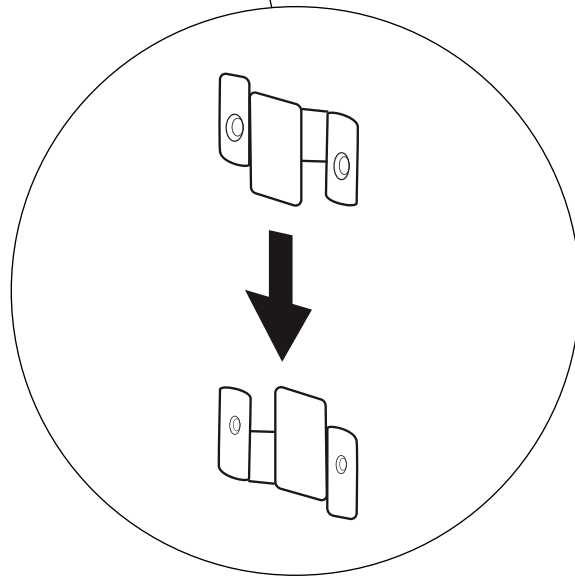
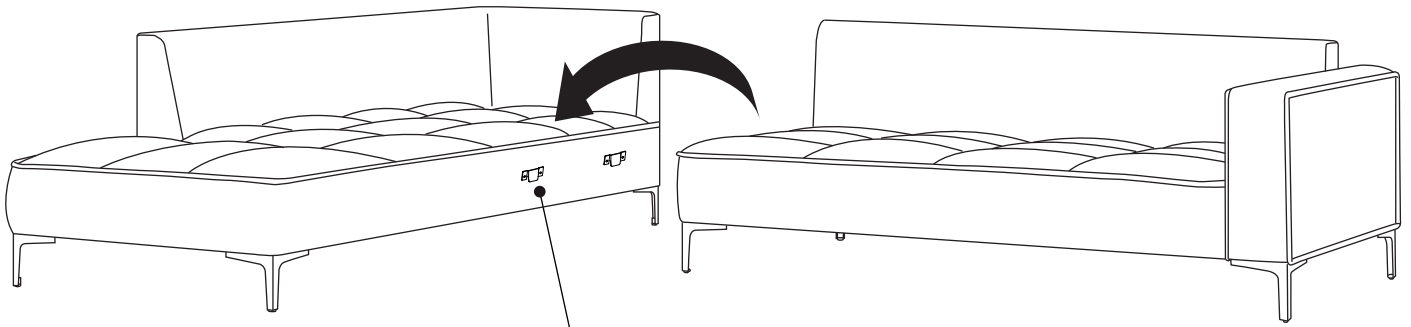


3

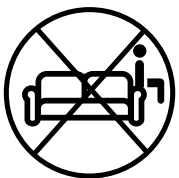
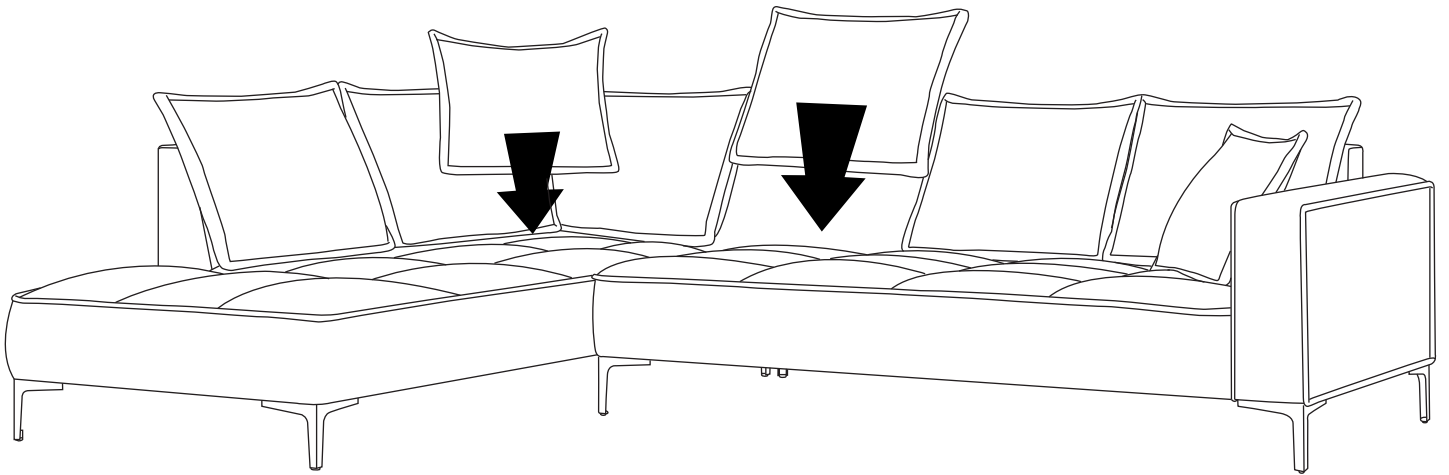
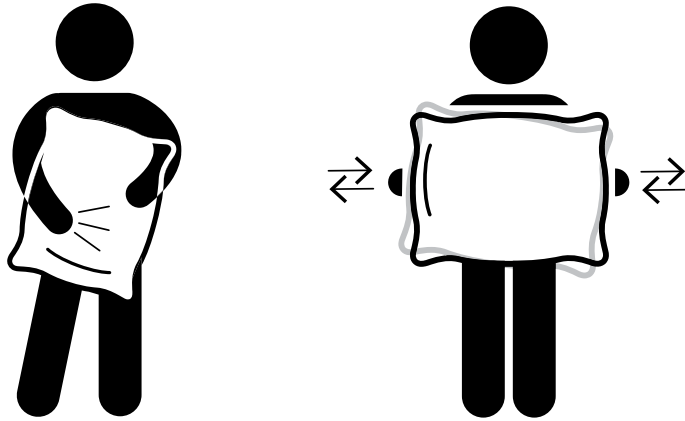


4

Marram
corner sofa



SHAPE UP ALL PILLOWS AND CUSHIONS!



4 of 4

SHAPE UP ALL PILLOWS AND CUSHIONS!

