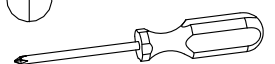
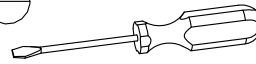
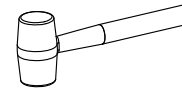
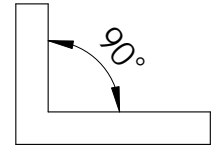
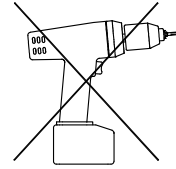
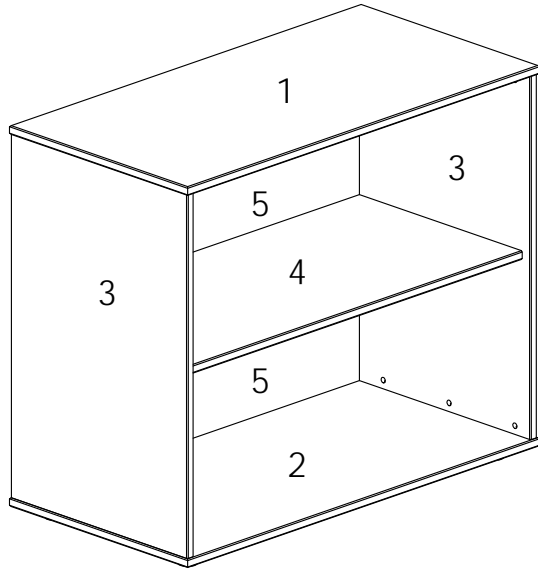


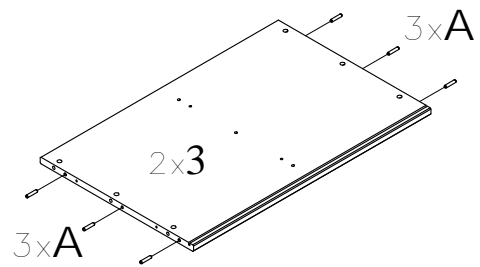
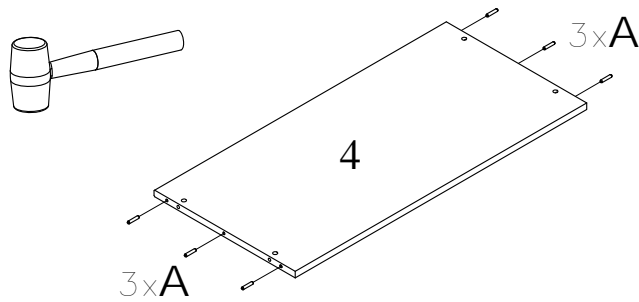
30 min



A		6x30	x18
B		6,5x27	x10
C		10x11	x10
D		4,2x45	x4
E		D39x20	x4

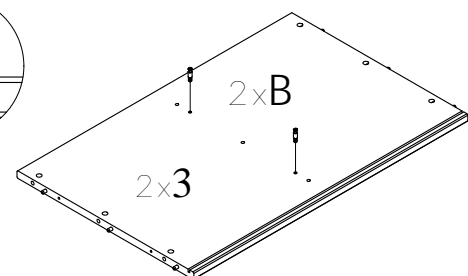
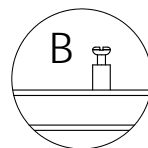
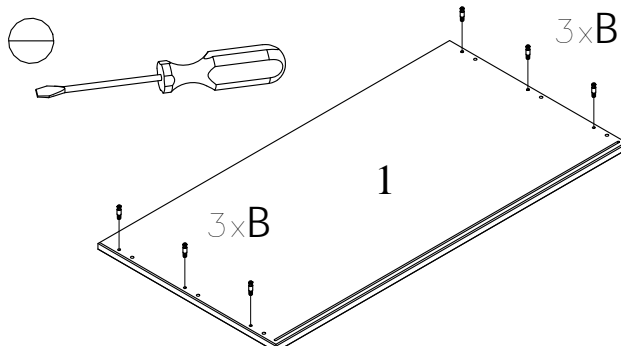
F		4x30	x4
G		D10x15	x6
H		3x16	x3
J		3,5x20	x8

①



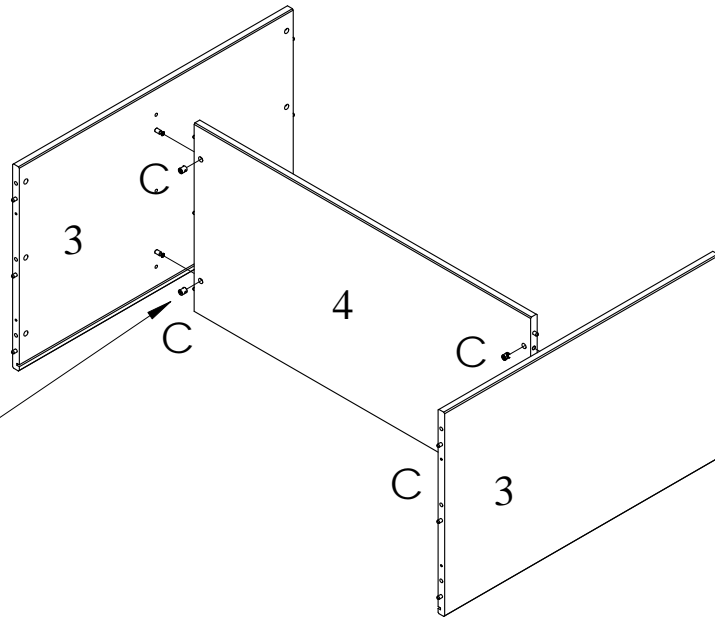
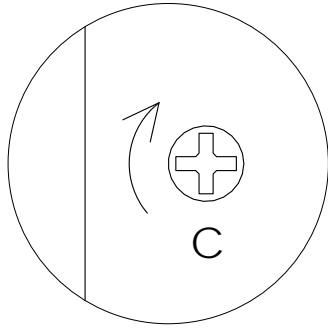
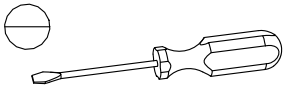
A		6x30	x18
---	--	------	-----

②



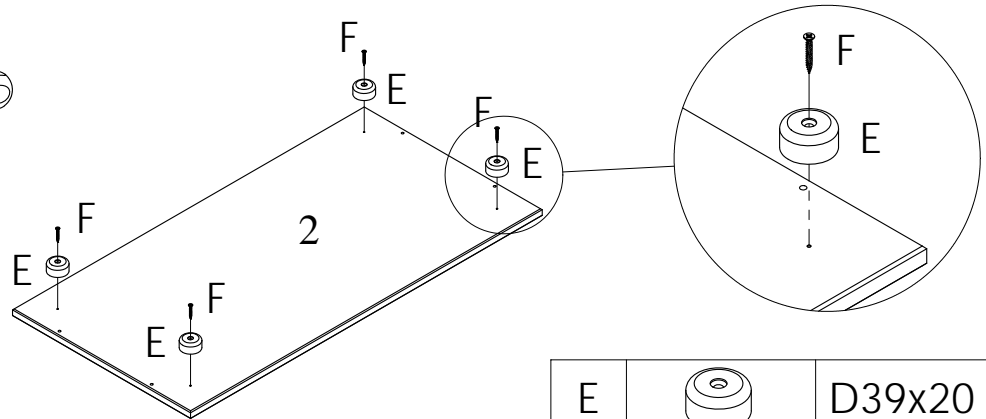
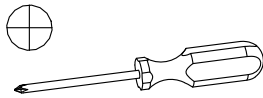
B		6,5x27	x10
---	--	--------	-----

3



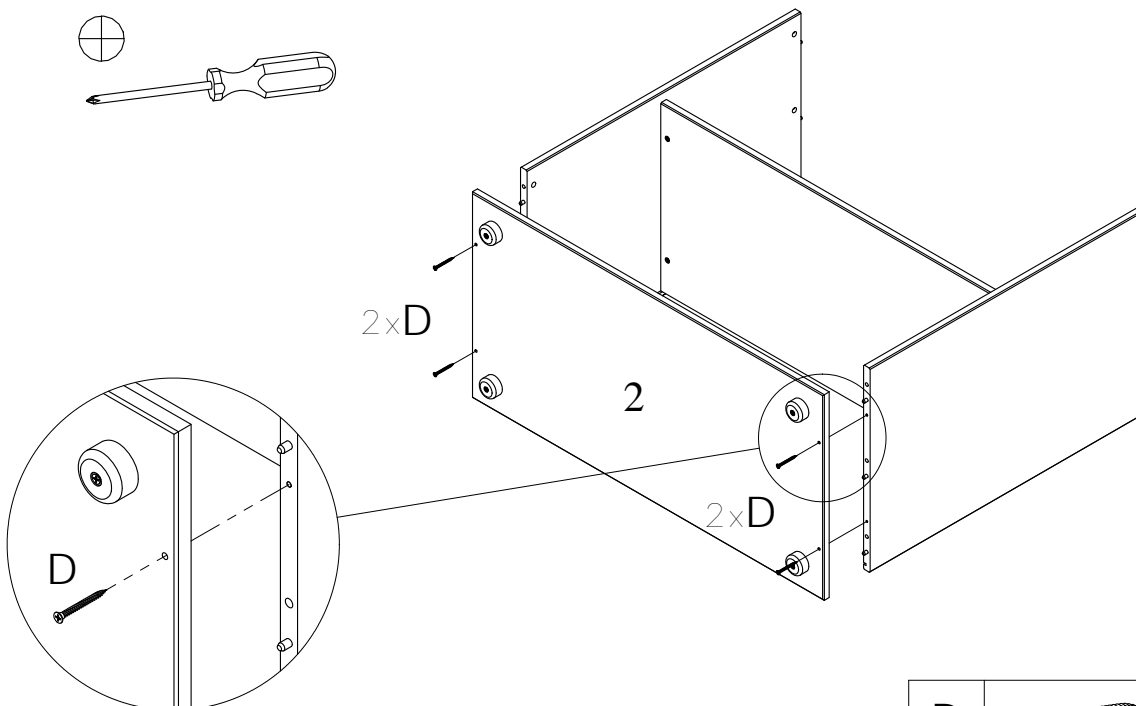
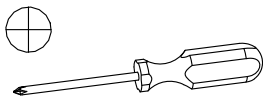
C		10x11	x4
---	--	-------	----

4



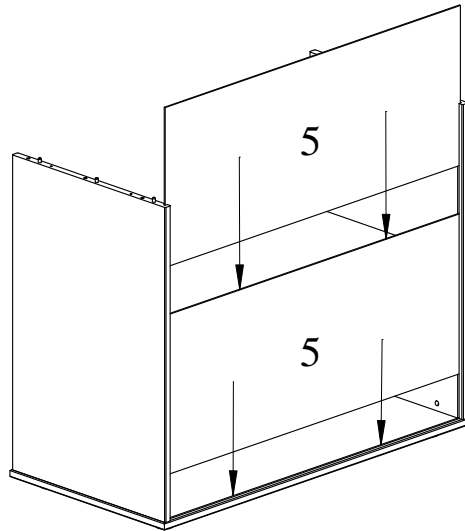
E		D39x20	x4
F		4x30	x4

5

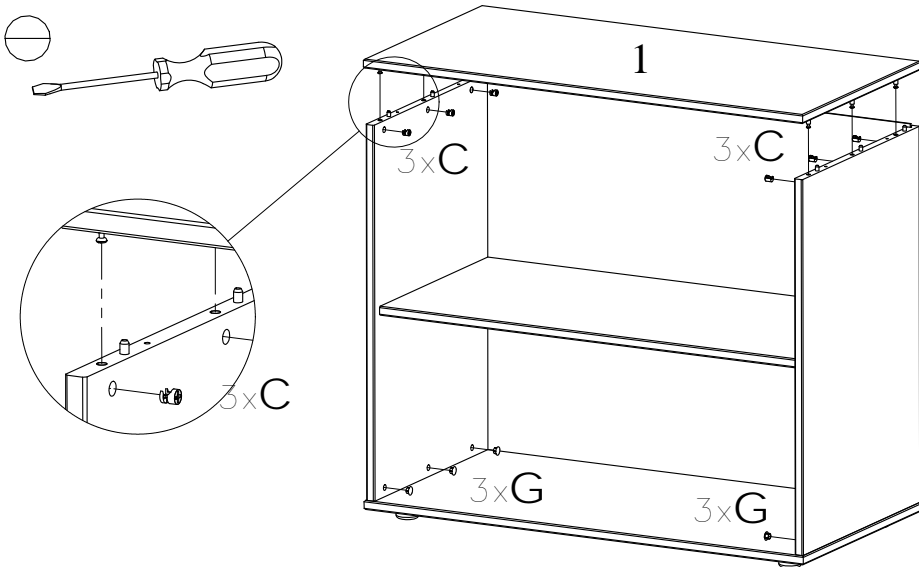




D		4,2x45	x4
---	--	--------	----

6

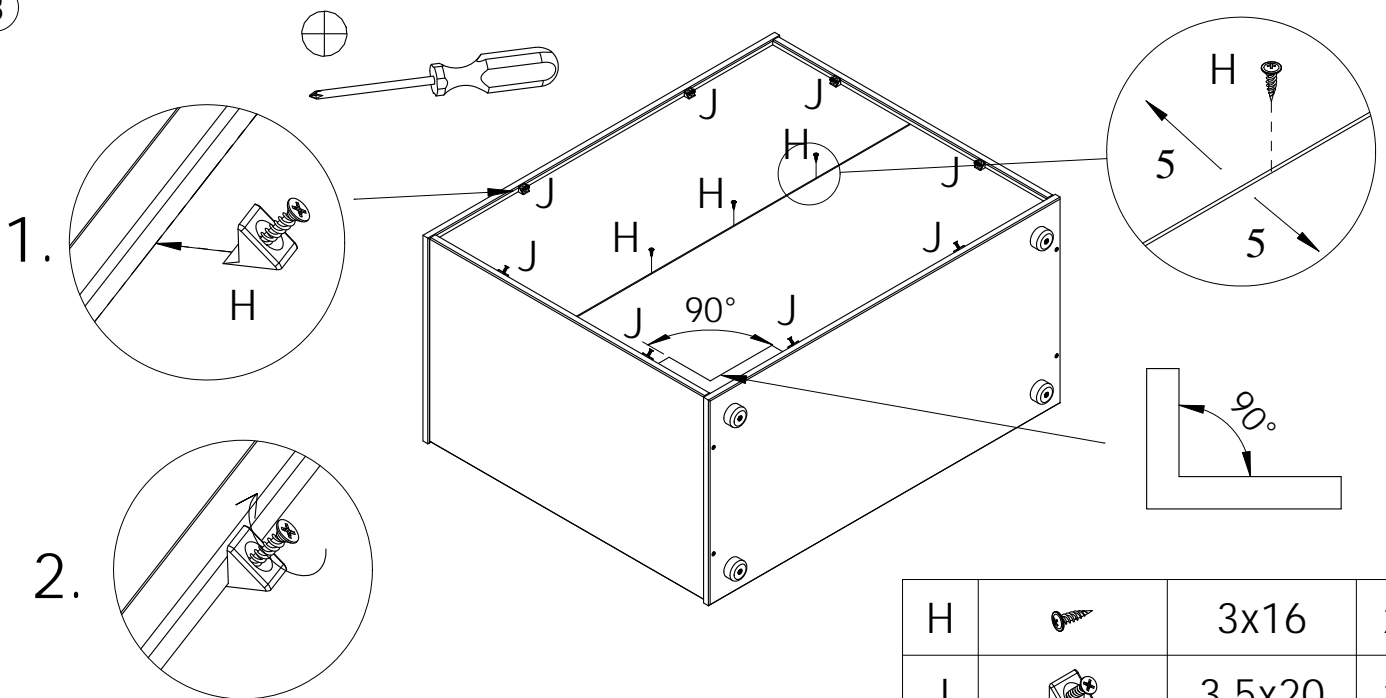




7



C		10x11	x6
G		D10x15	x6

8



H		3x16	x3
J		3,5x20	x8