


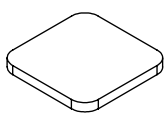

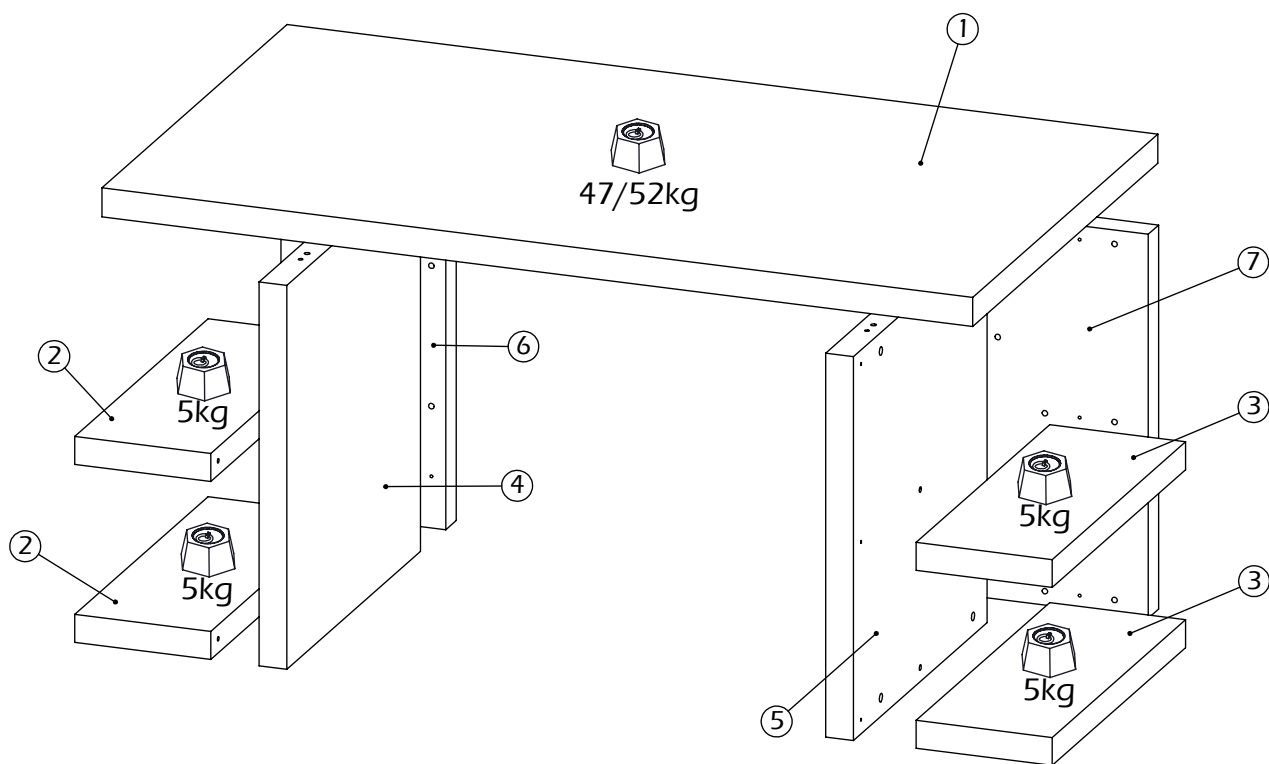


7200.379/380/381

30min



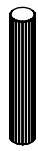
A - 16x	B - 16x	C - 22x	D - 8x	E - 20x
				
Ø15x13mm 0512.042	Ø7x41mm 0512.041	Ø10x60mm 0540.012	32x32x2mm 0992.002	Ø20x1mm 0520.165/171 172/009

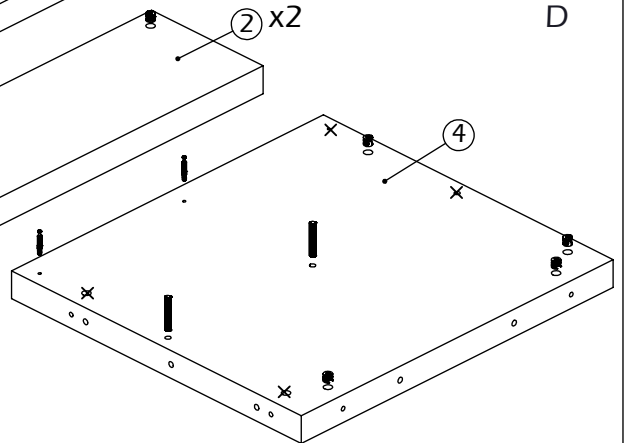
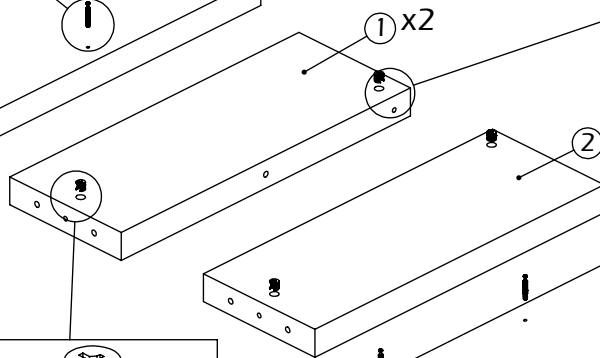
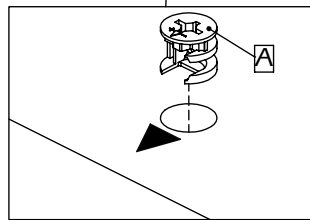
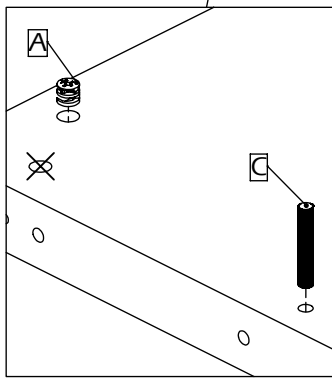
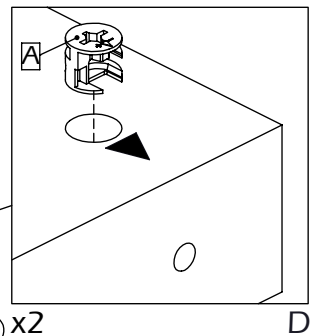
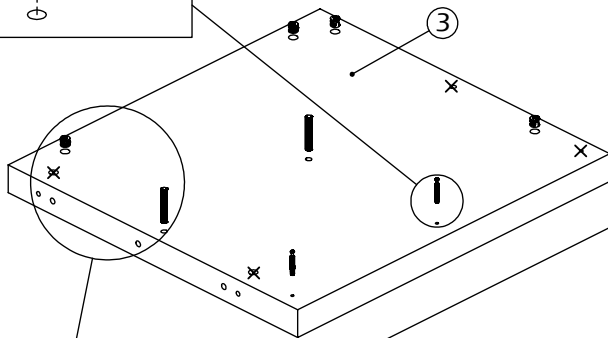
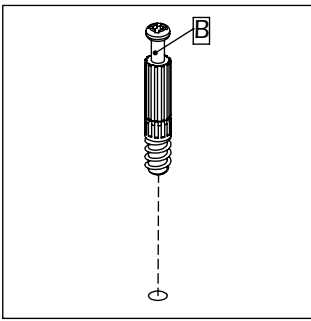
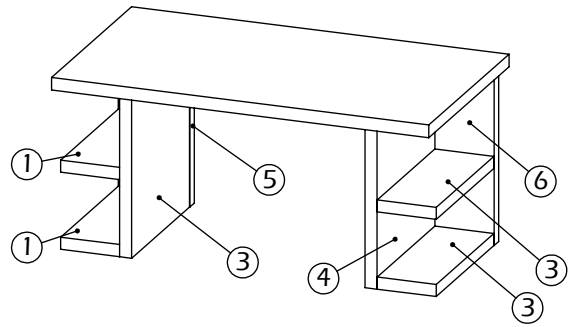
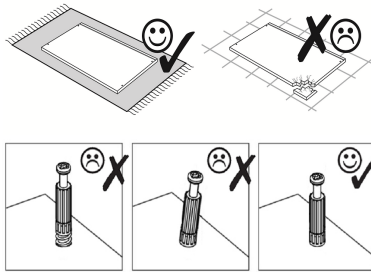
IM-0623.748/5



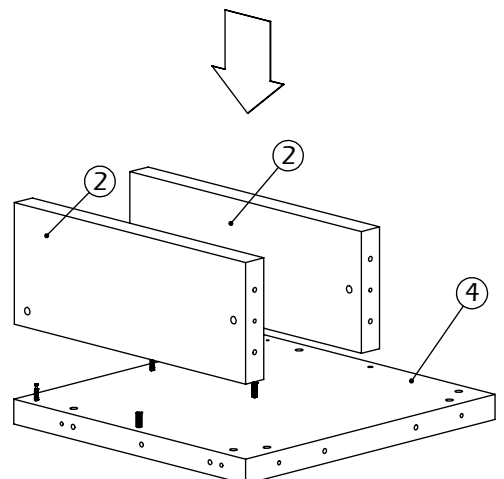
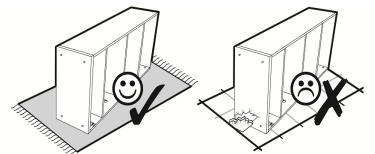
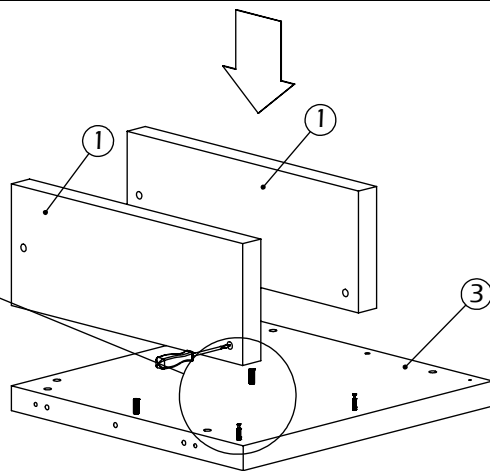
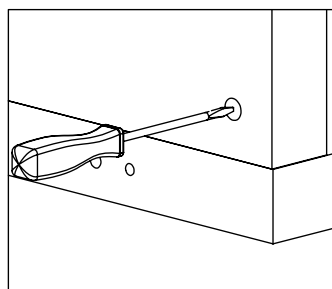
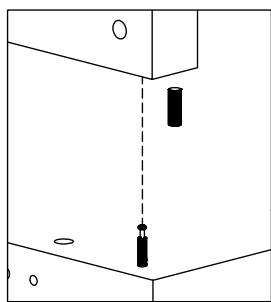
n°	x	mm
1	1	1600/1800 x 900 x 52
2	2	649 x 250 x 50
3	2	649 x 250 x 50
4	1	700 x 650 x 50
5	1	700 x 650 x 50
6	1	700 x 303 x 50
7	1	700 x 303 x 50

1

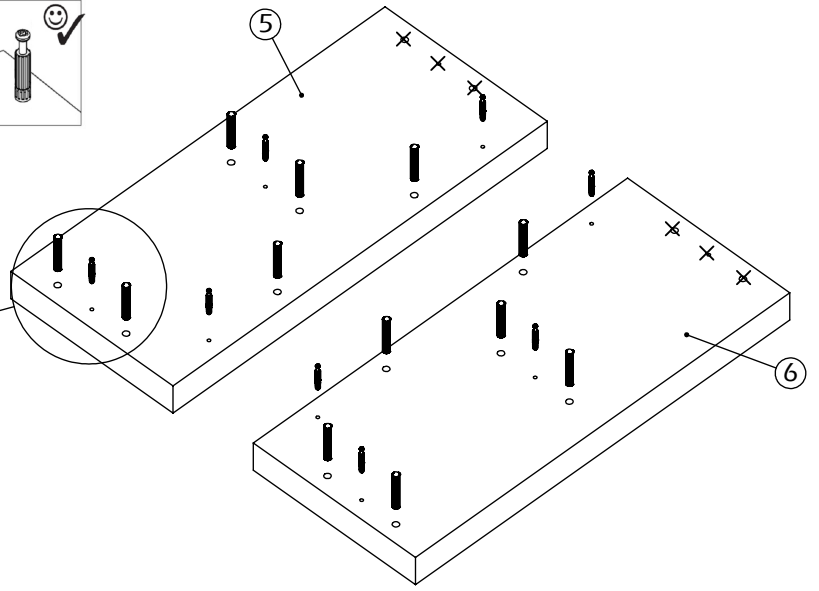
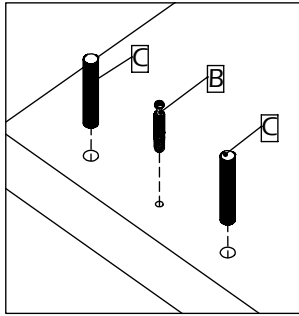
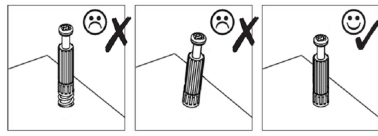
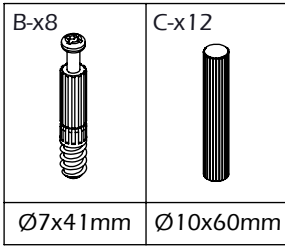
A-x16 	B-x4 	C-x4 
Ø15x13mm	Ø7x41mm	Ø10x60mm



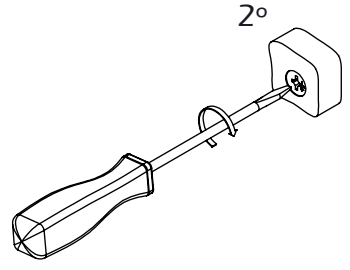
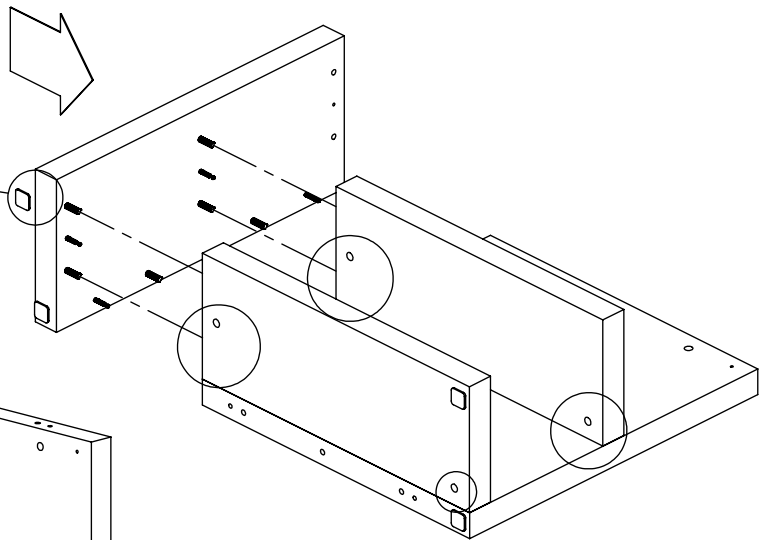
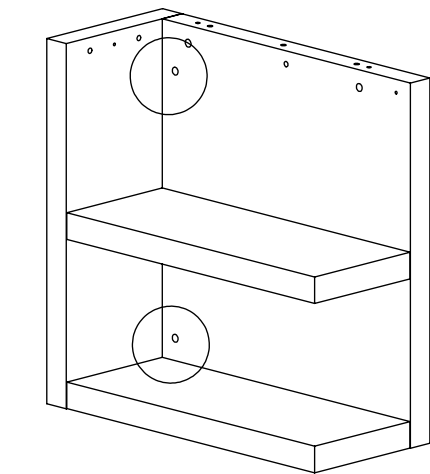
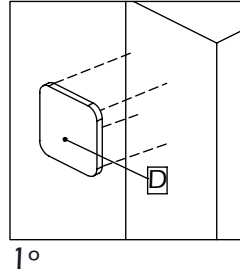
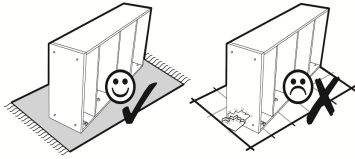
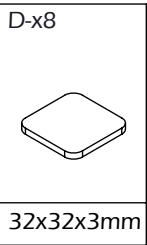
2



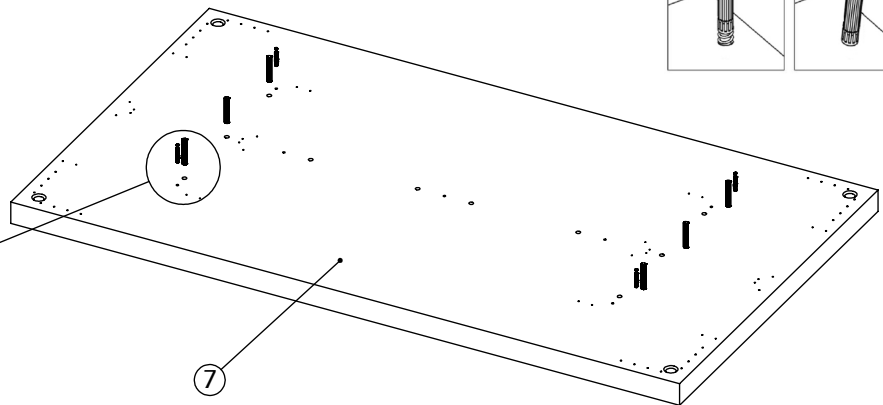
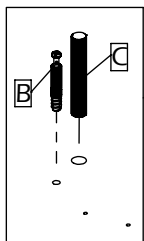
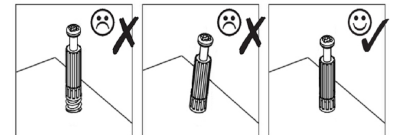
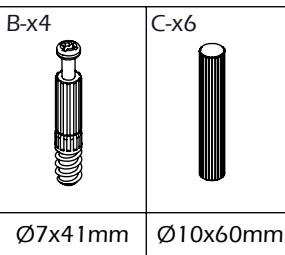
3



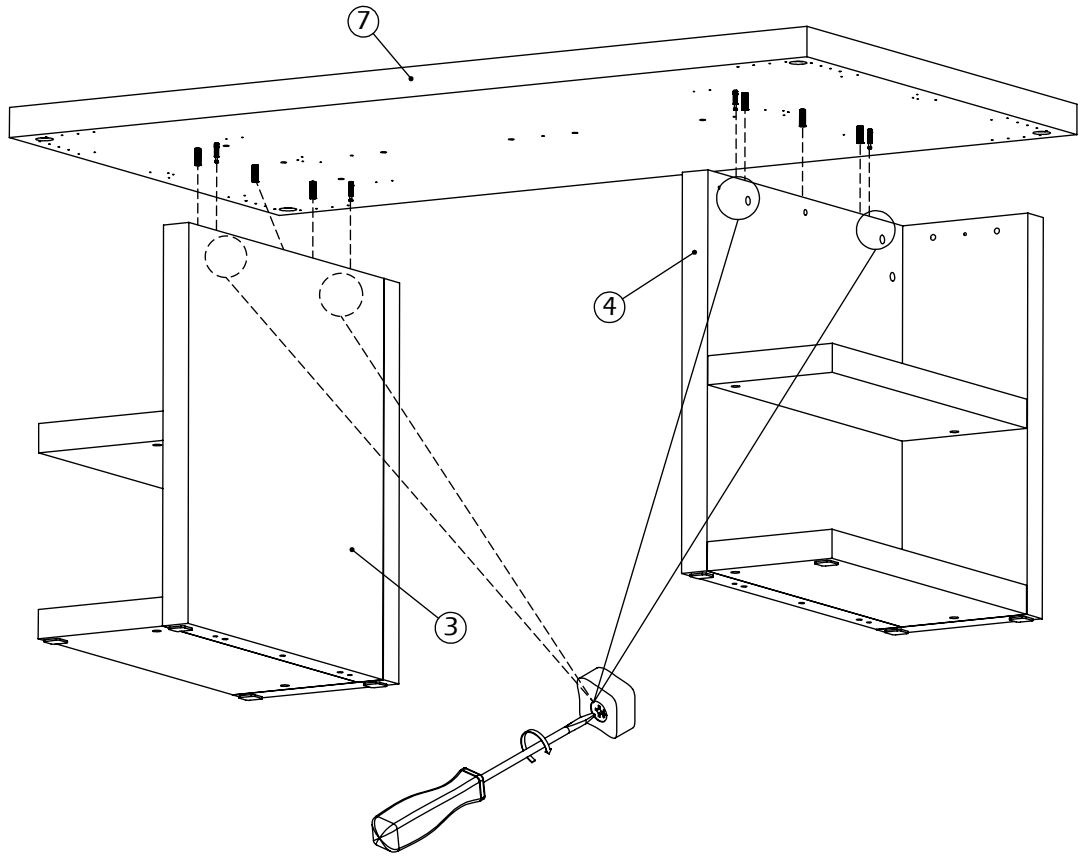
4



5



6



7

