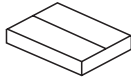




Kave® Cares



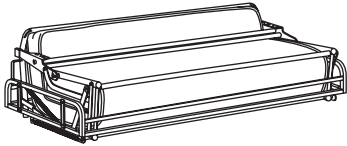
20 min



x3



x2



A x1



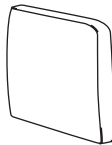
B x4



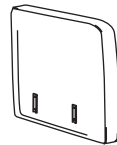
C x1



D x1



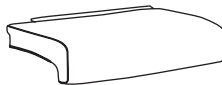
E x1



F x1



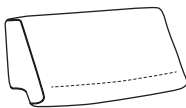
G x1



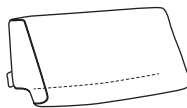
H x1



I x1



J x1



K x1



L x1



M x1
4mm



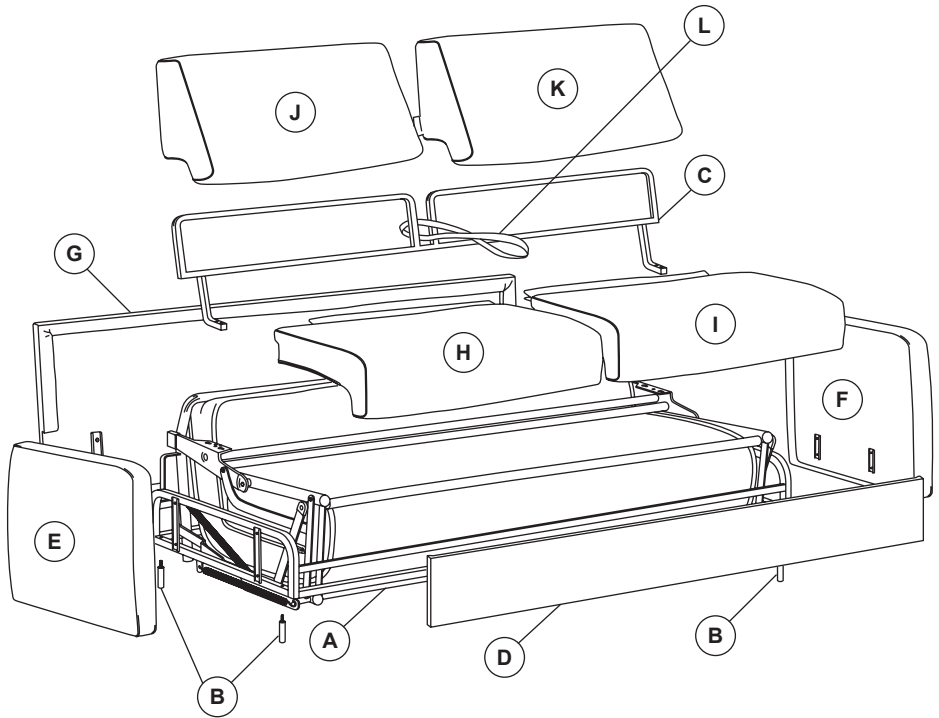
N x4
M6x30mm

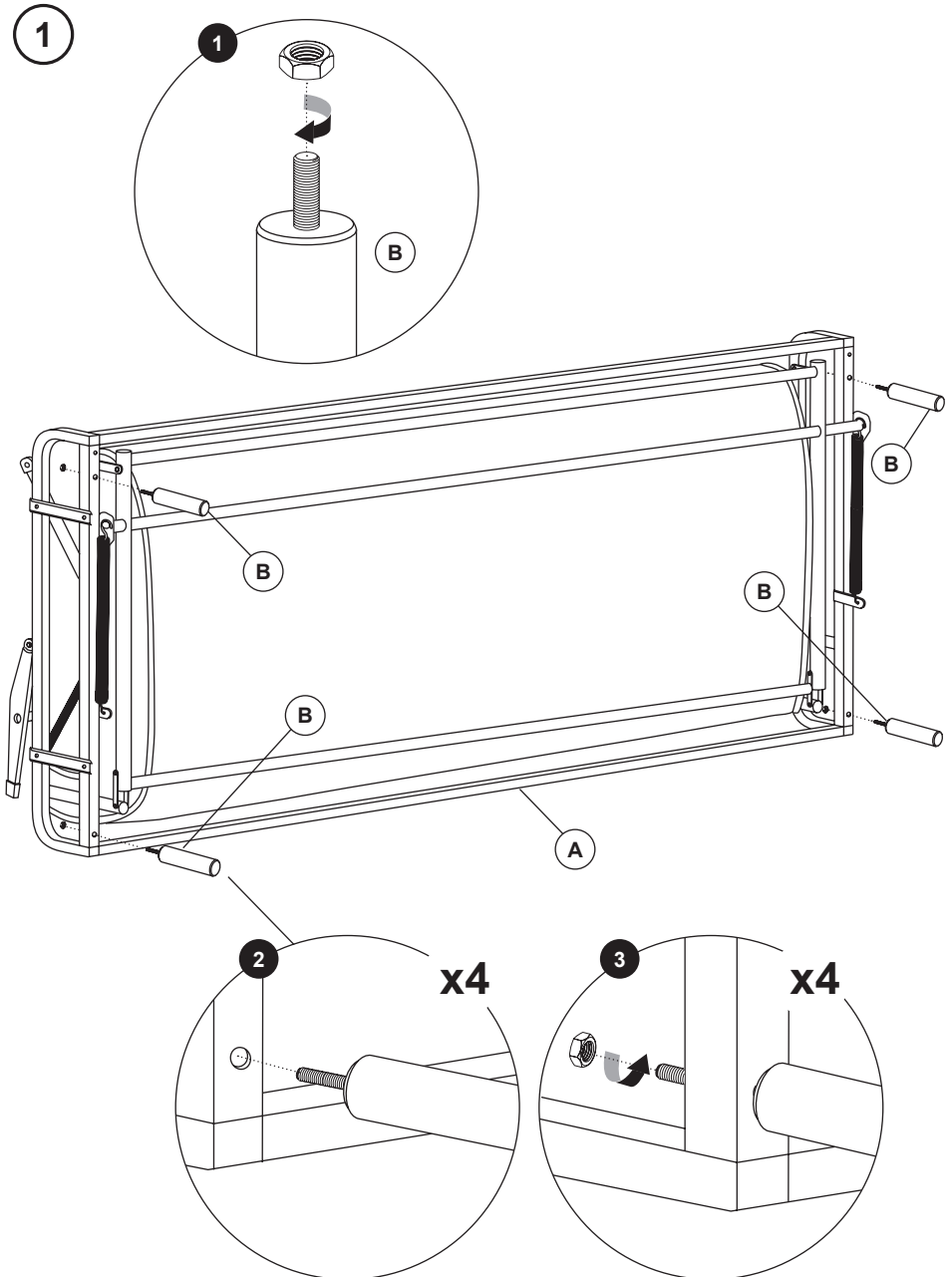


O x4
M6

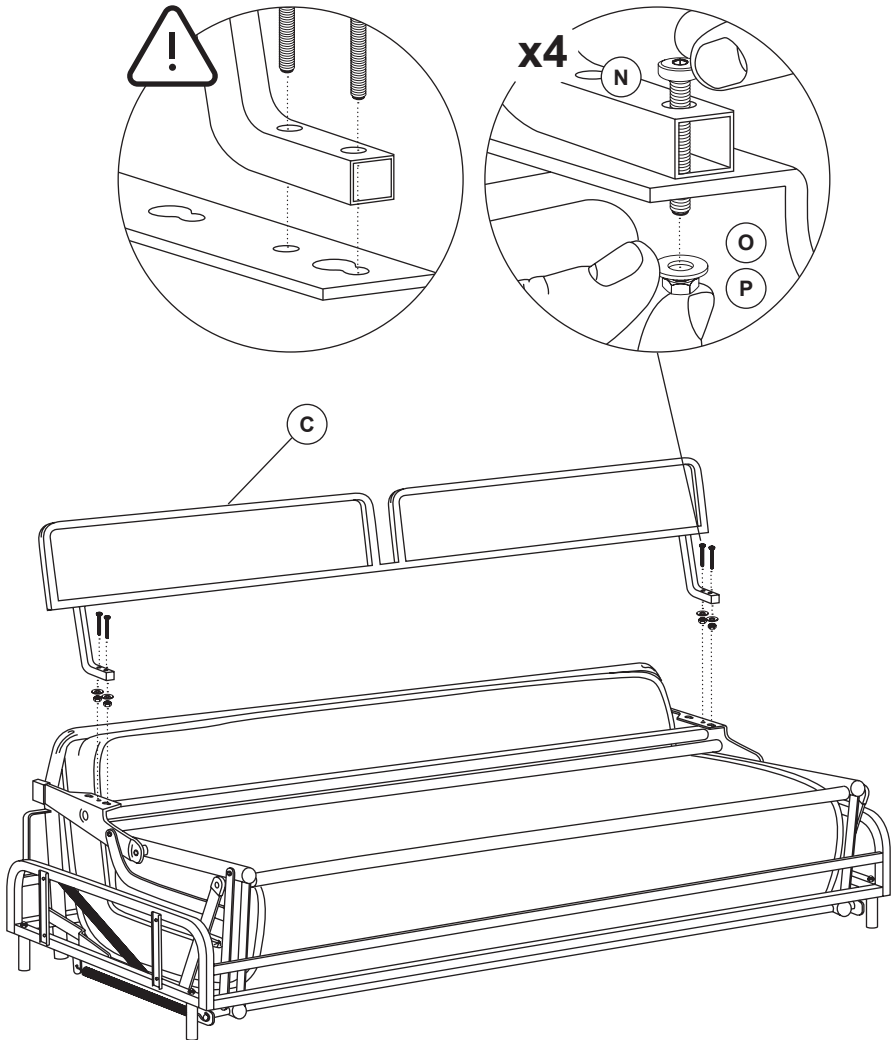


P x4
M6

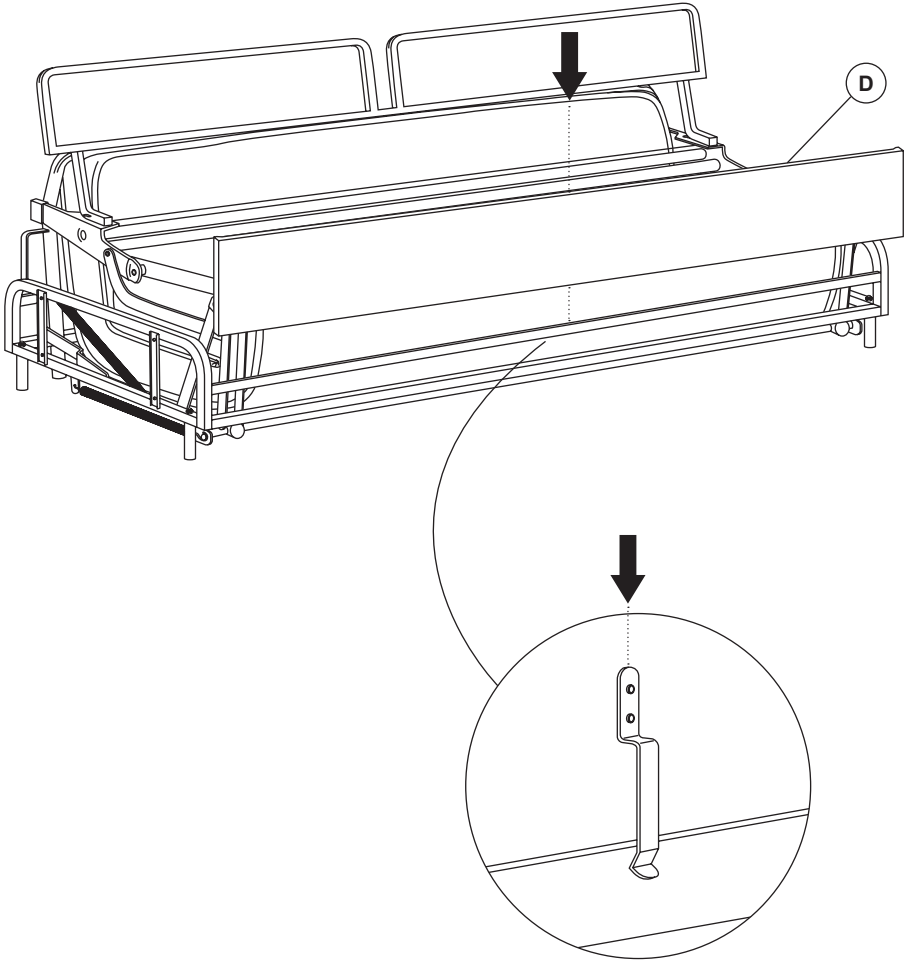




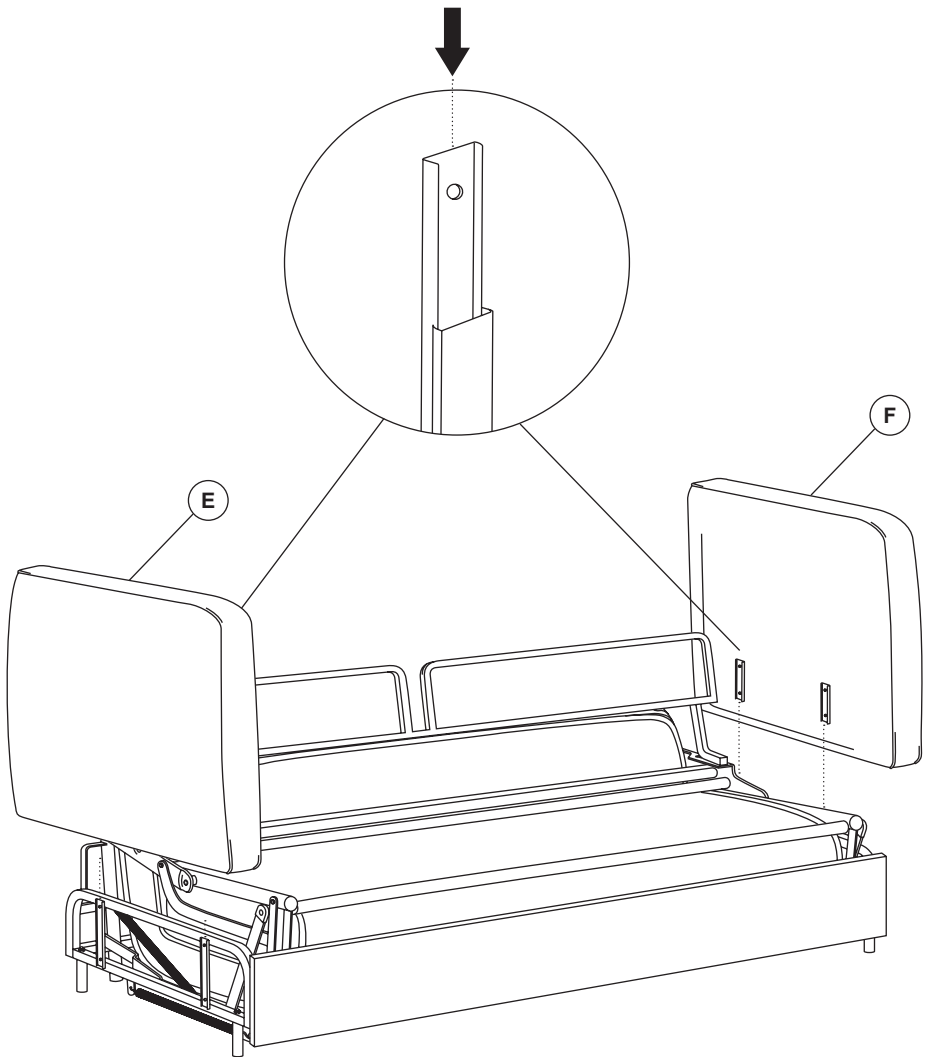
2



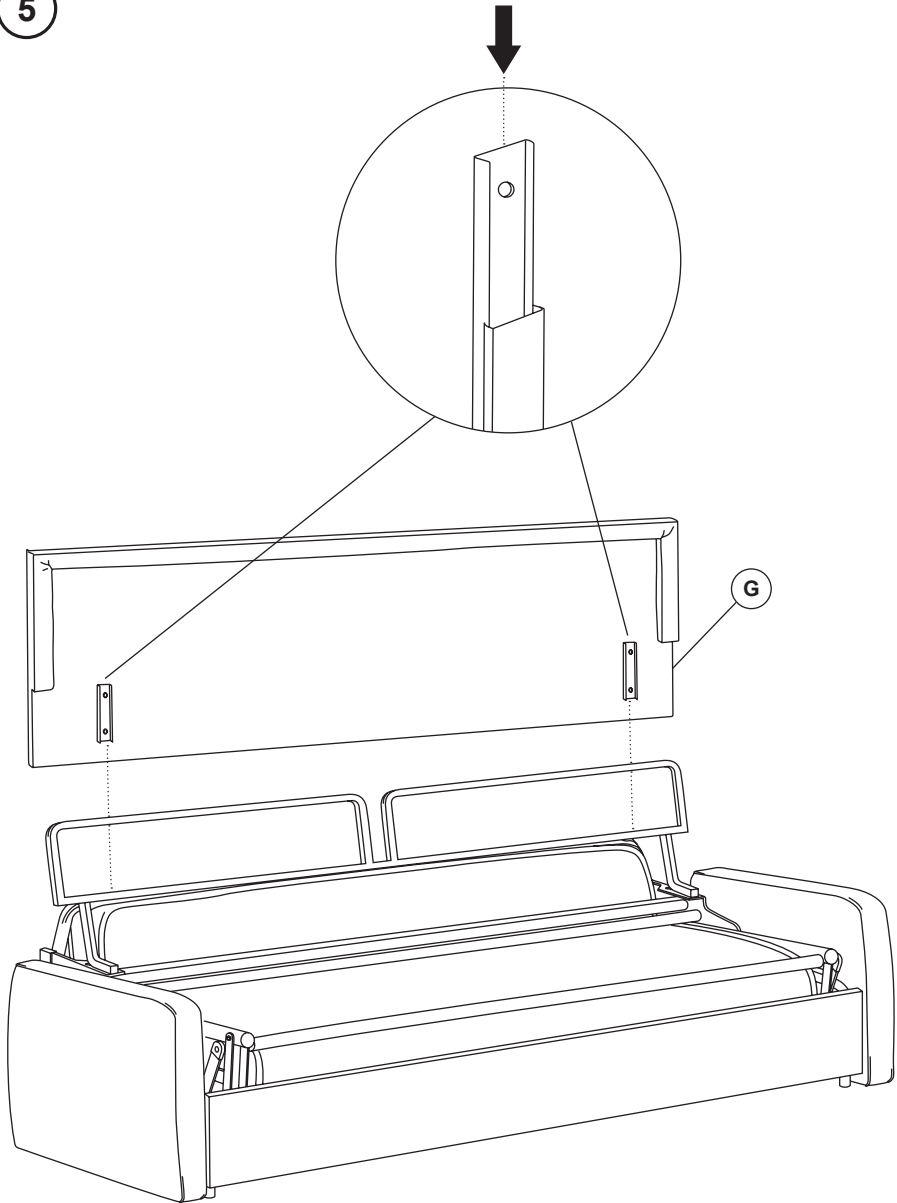
3



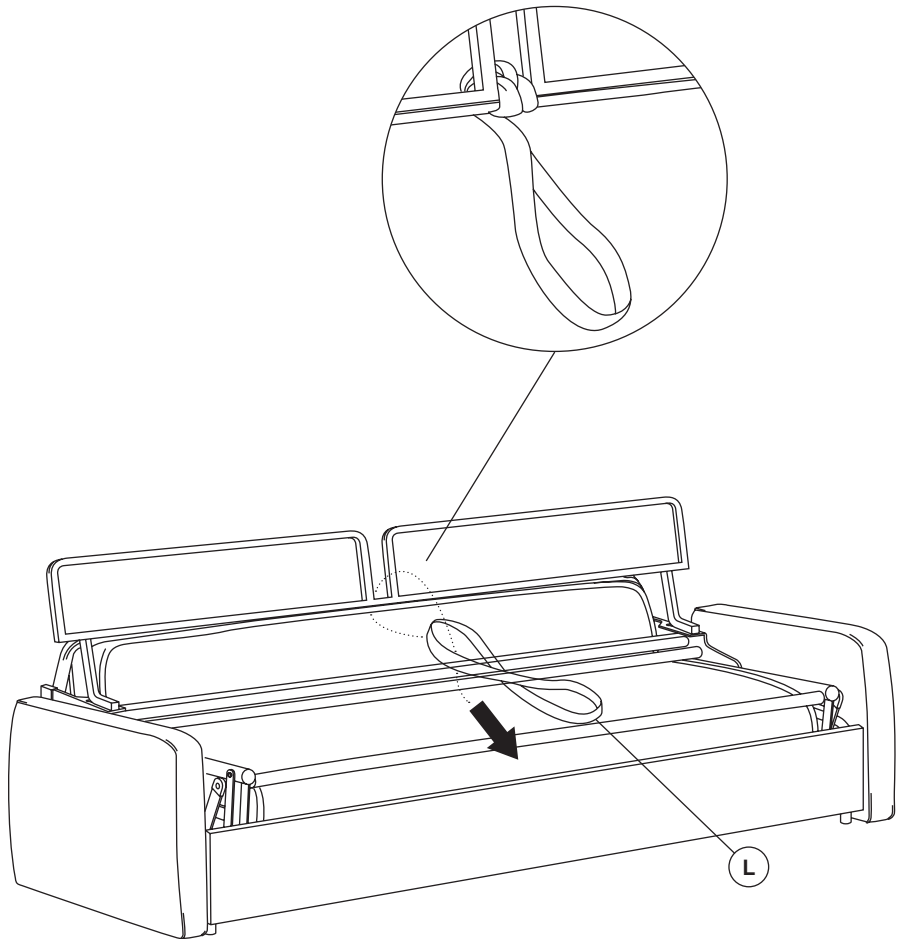
4



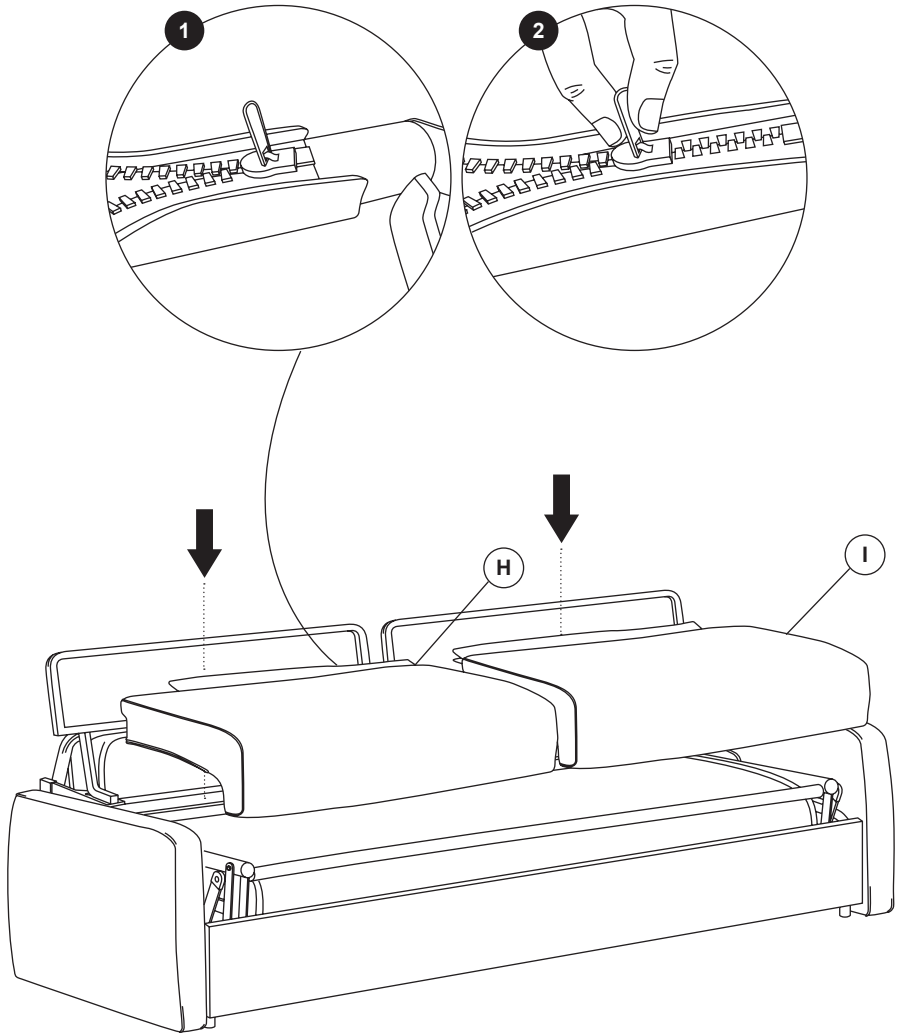
5



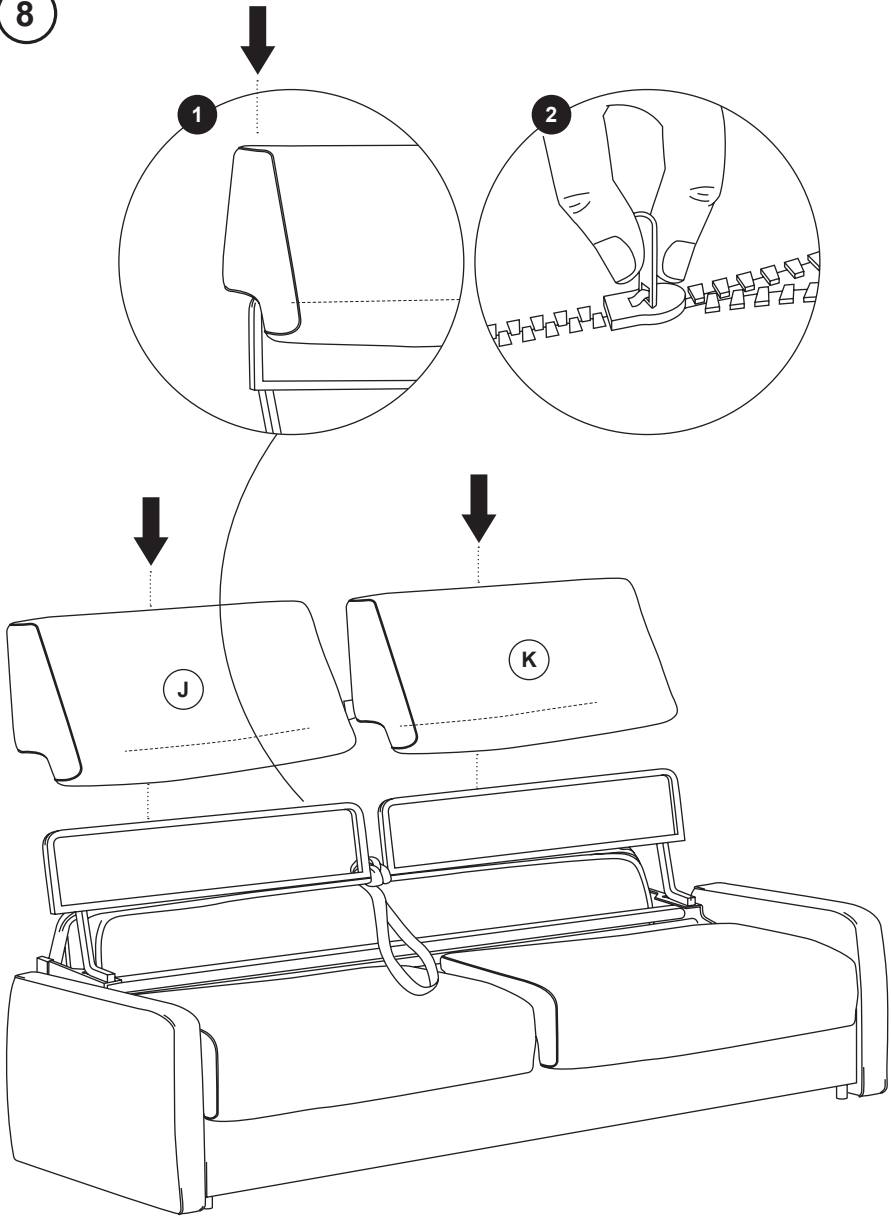
6

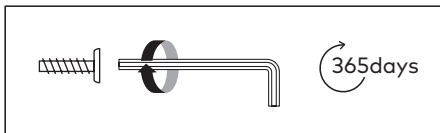
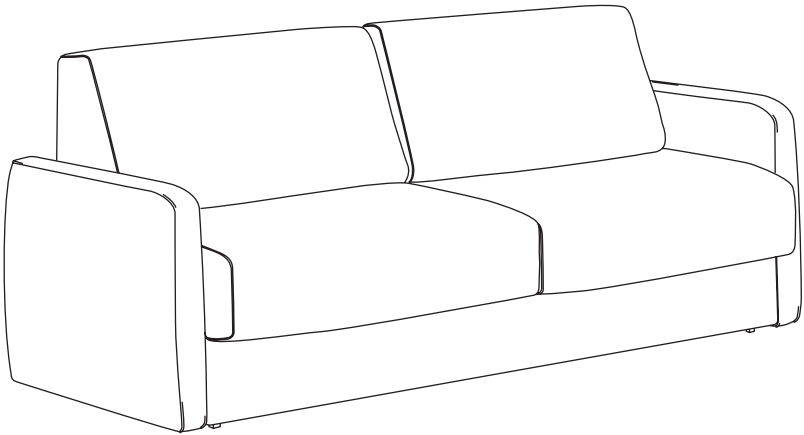


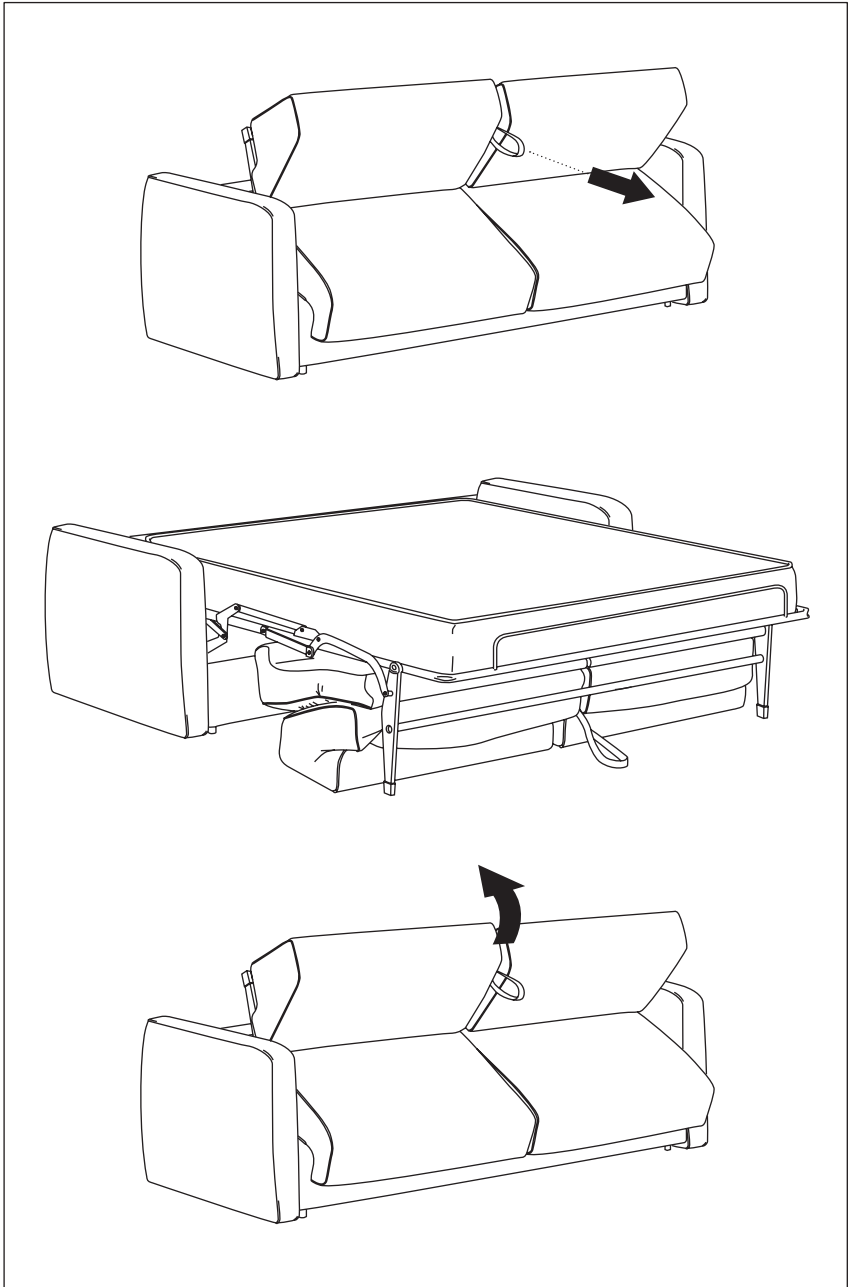
7



8









THAT'S ALL FOLKS!

Share your style!

#KaveHome

