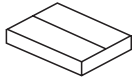


Kave® Cares



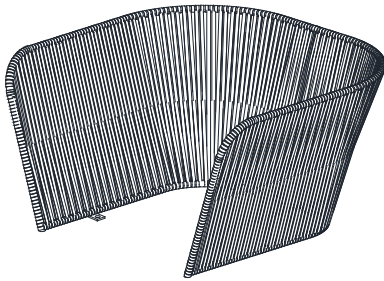
20 min



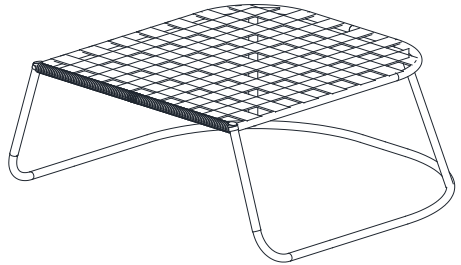
x1



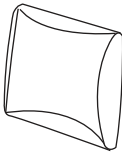
x1



A x1



B x1



C x1



D x1



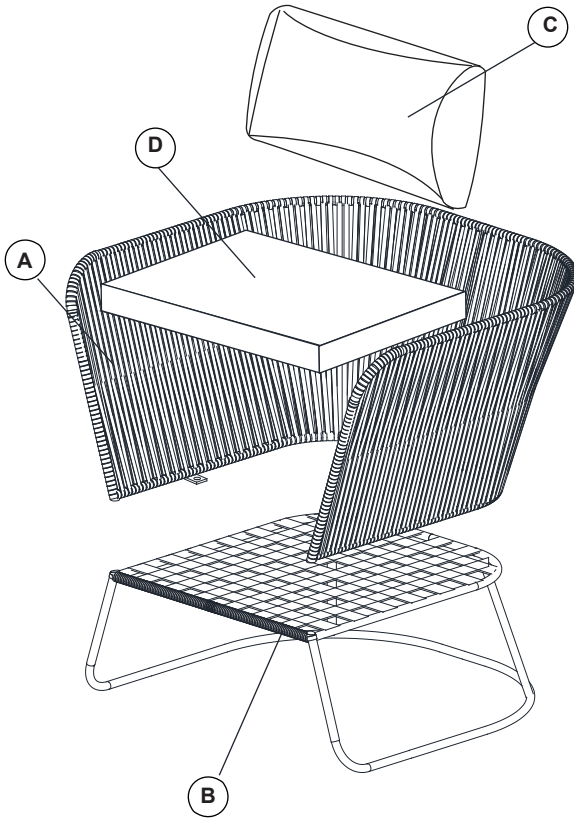
E x1



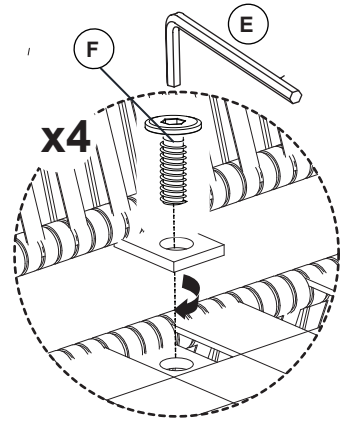
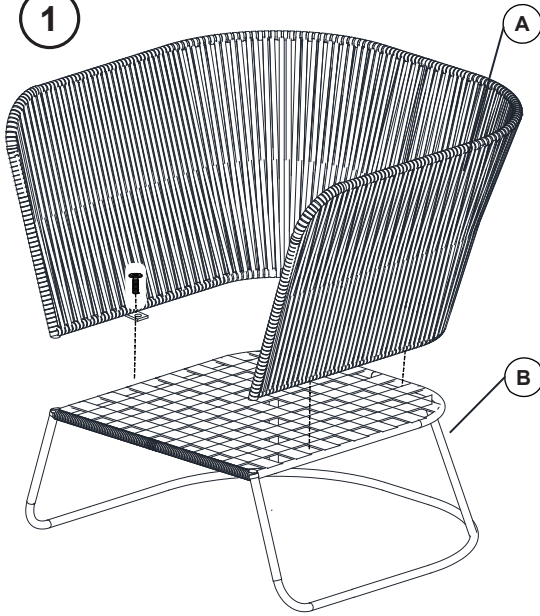
F x4
M6x20mm



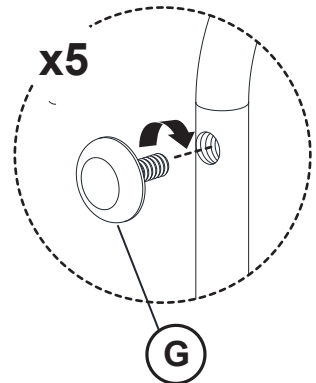
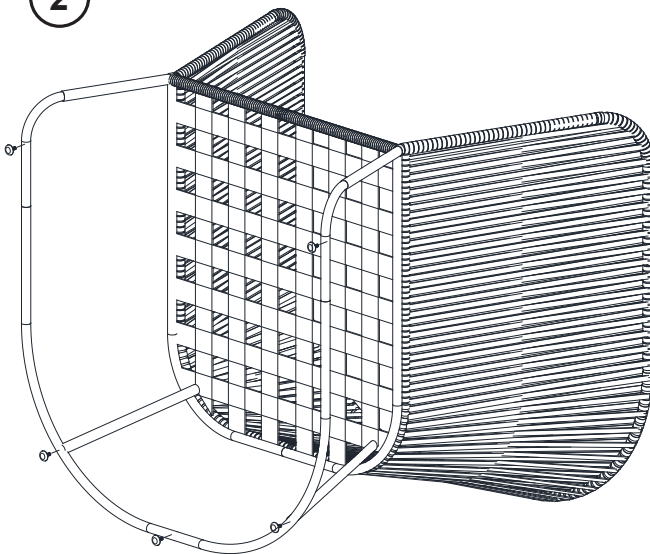
G x5



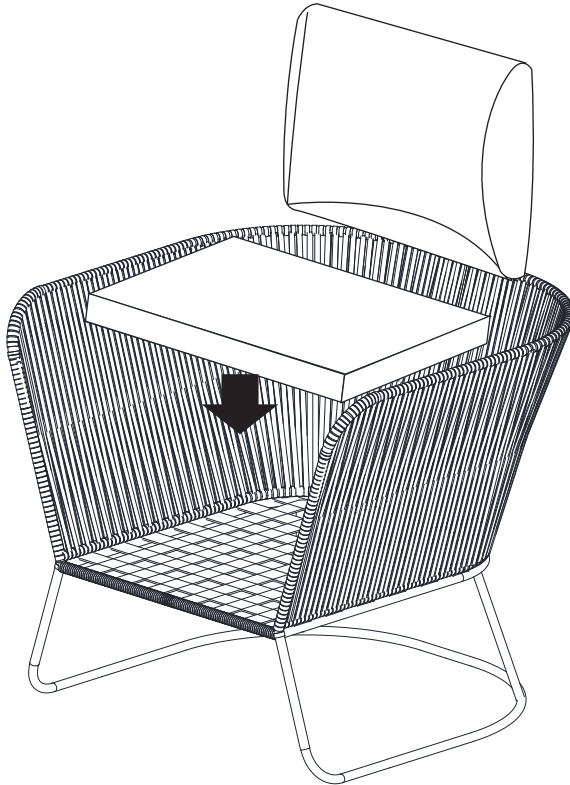
1

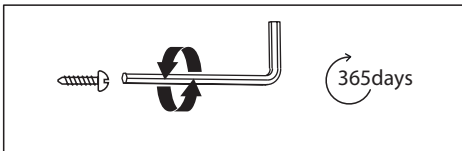
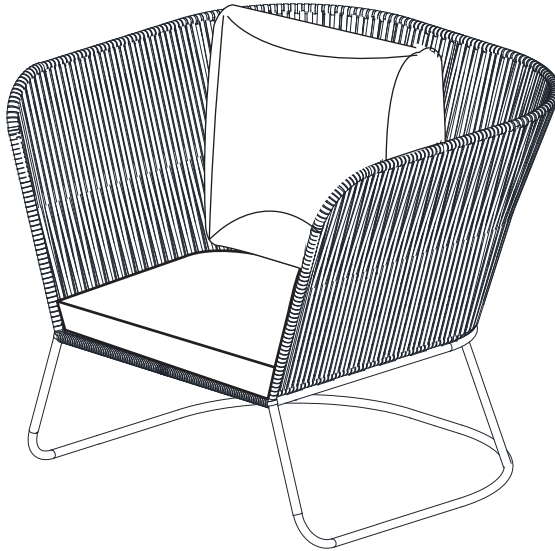


2



3







THAT'S ALL FOLKS!

Share your style!

#KaveHome

