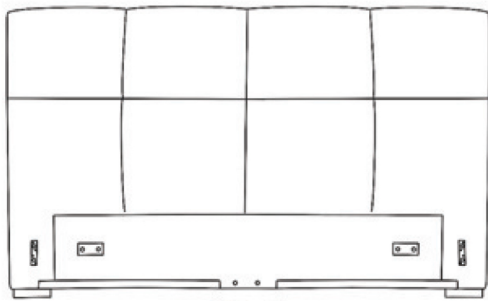
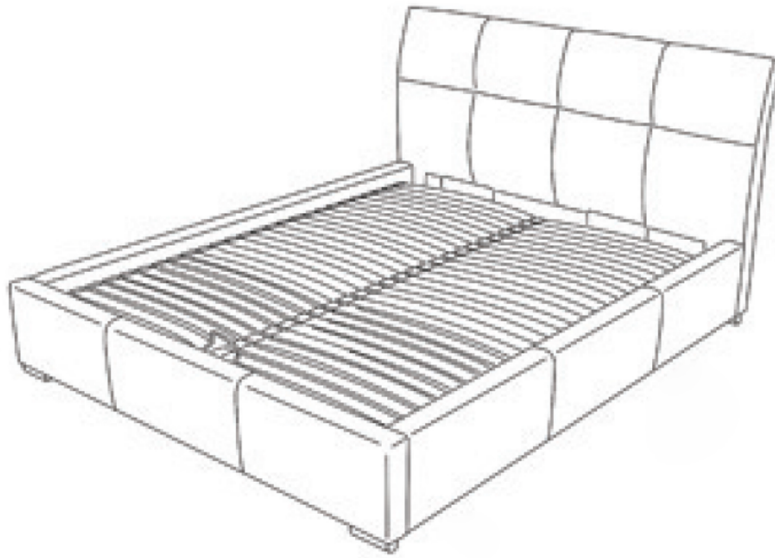


# SAGE / ARANDA / SERI

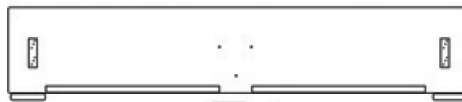
bed with container



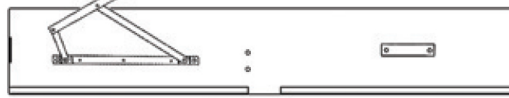
13 mm



A x 1



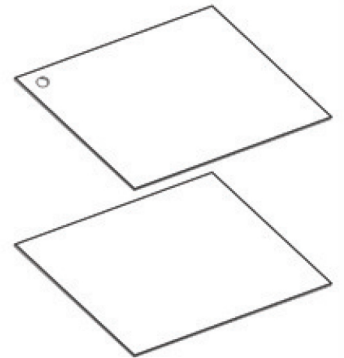
B x 1



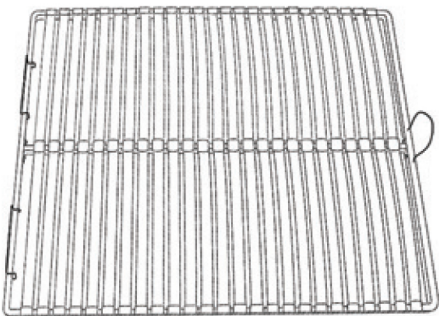
C x 1



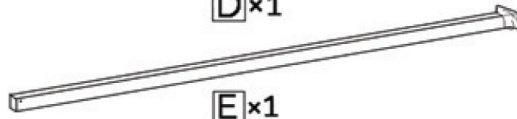
D x 1



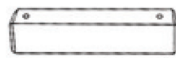
G x 2



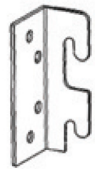
F x 1



E x 1



H x 1



I x 2



J x 1



K x 4



L x 5



M x 14

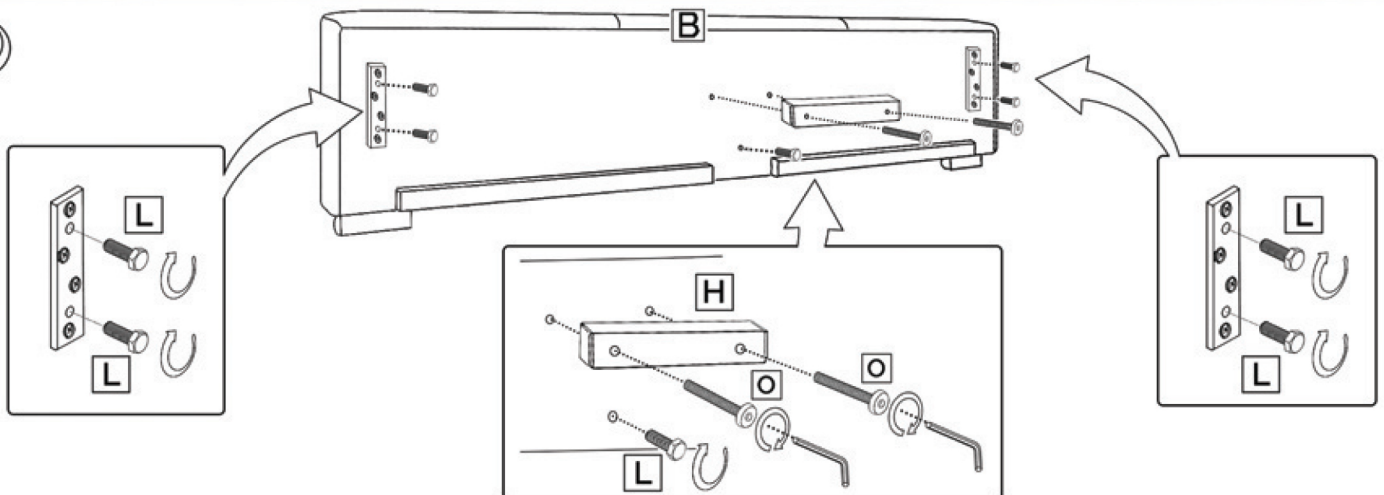


N x 2

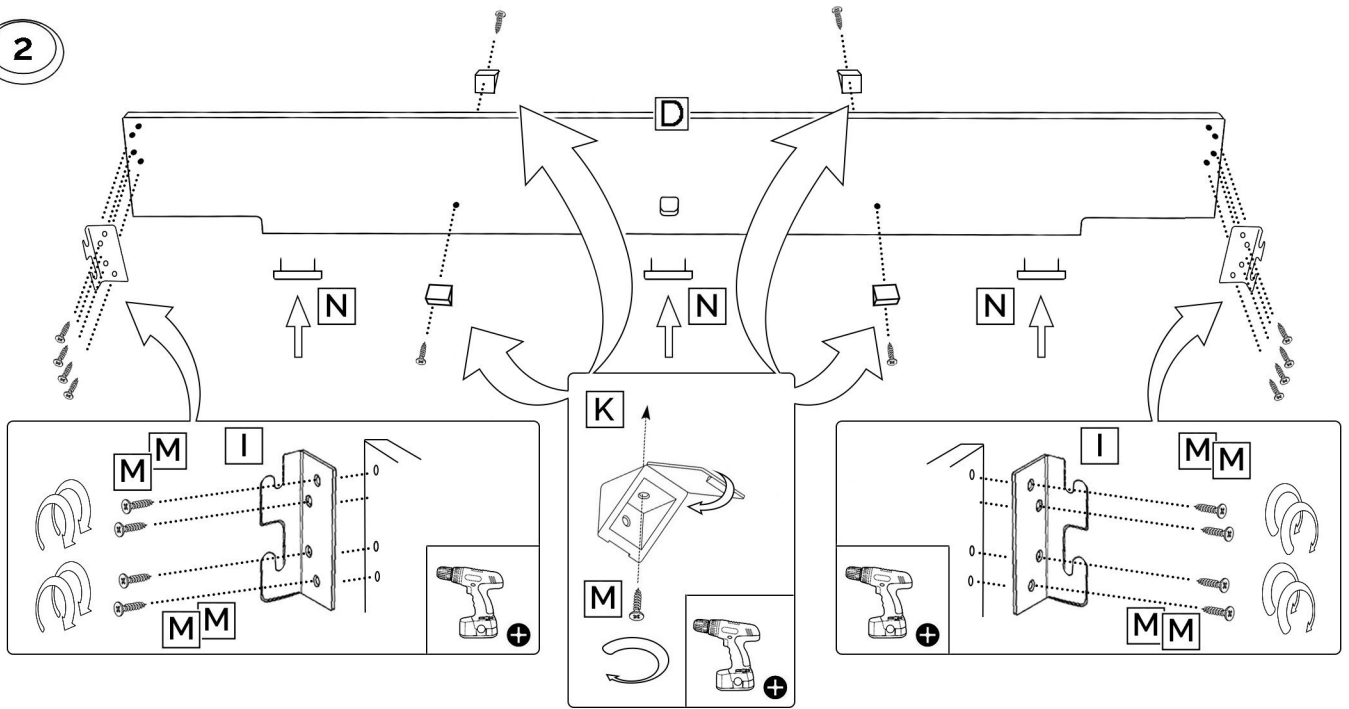


O x 2

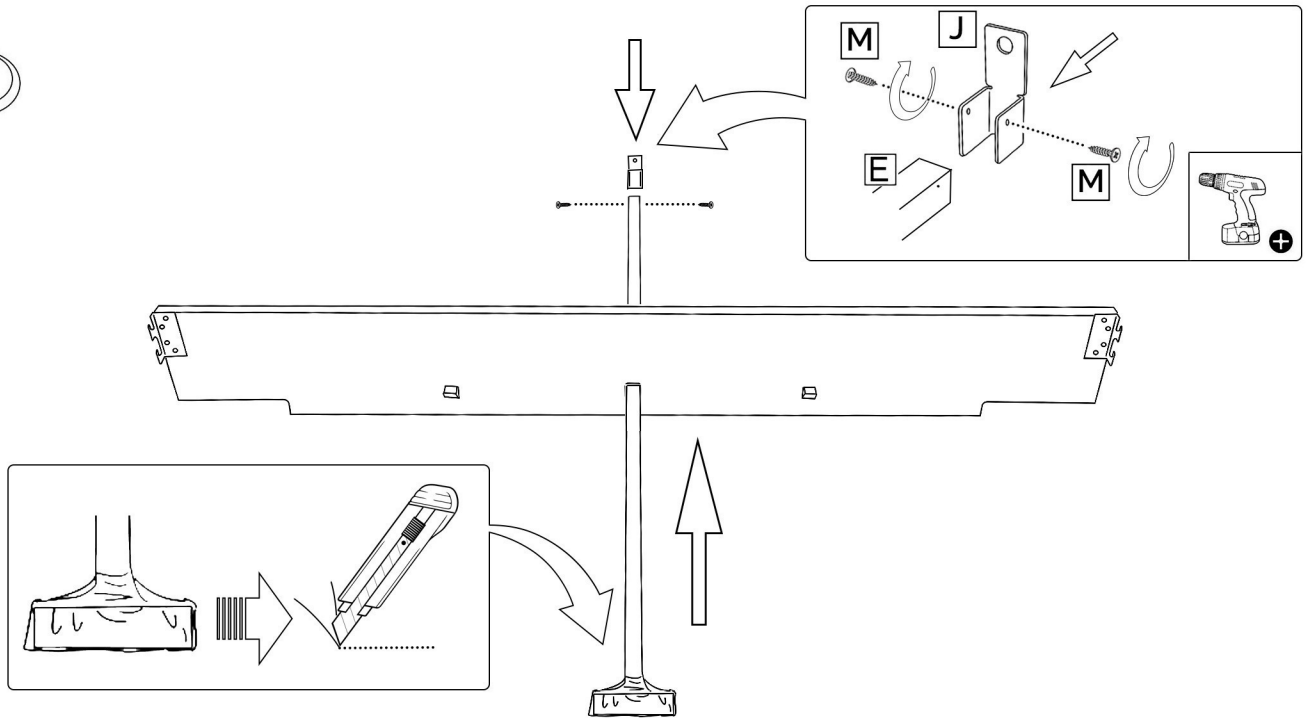
1



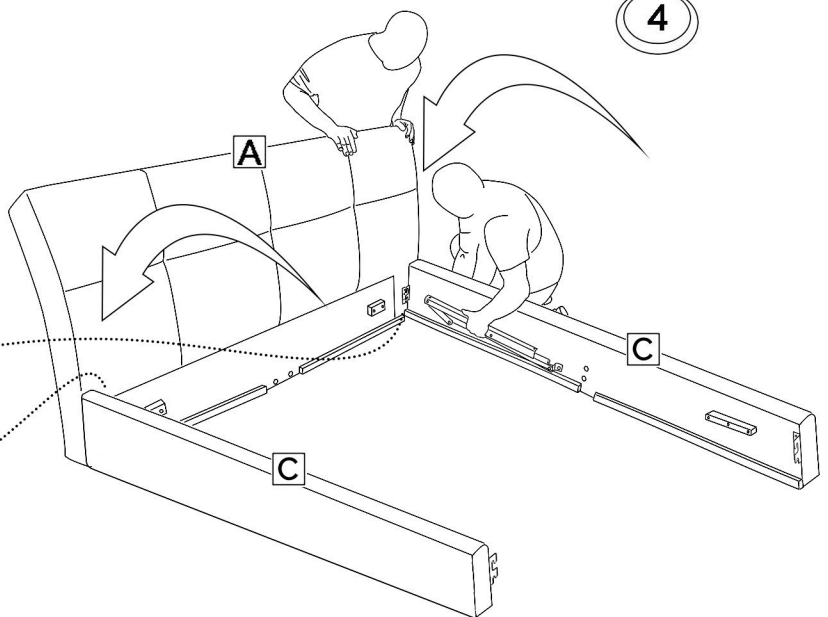
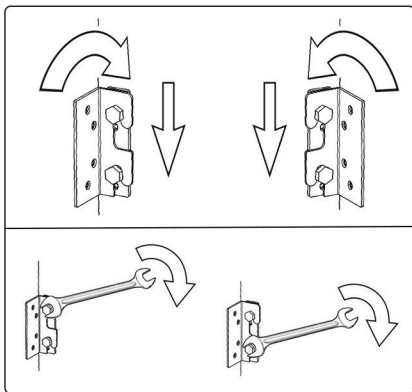
2

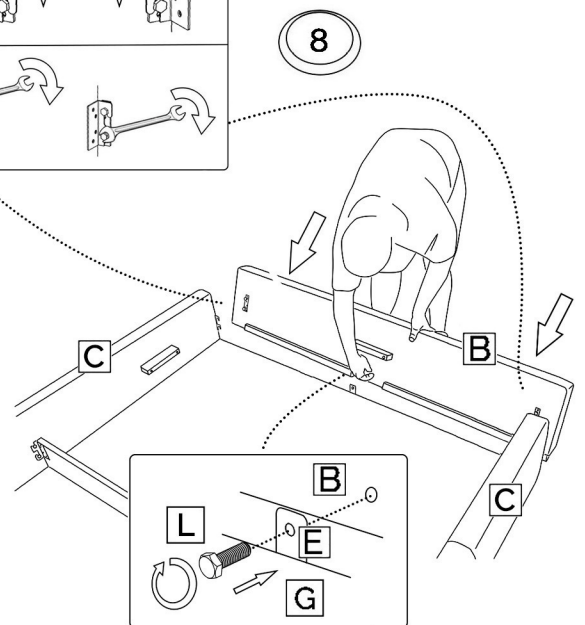
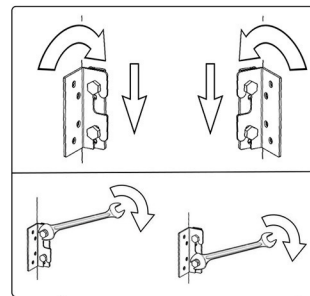
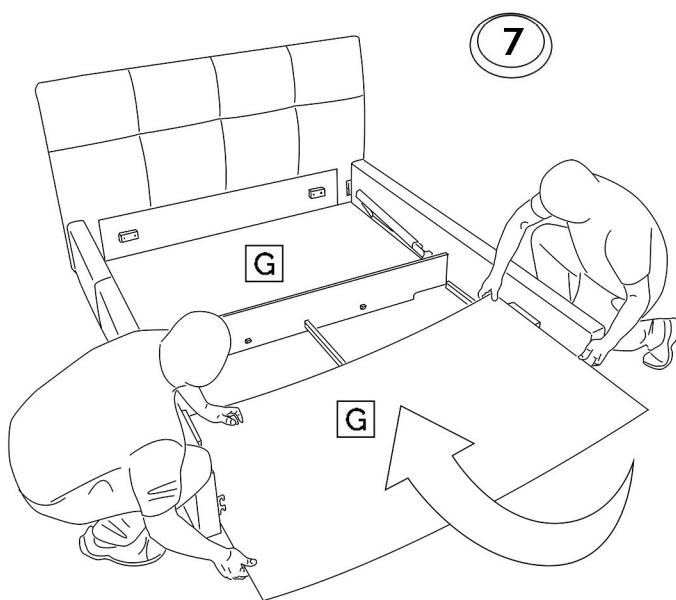
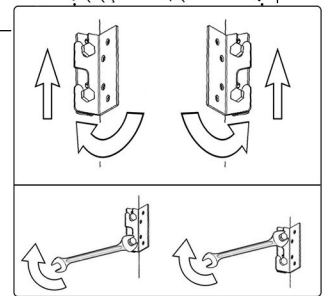
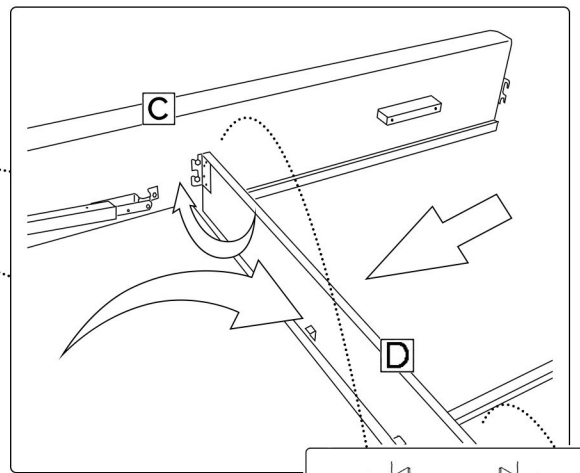
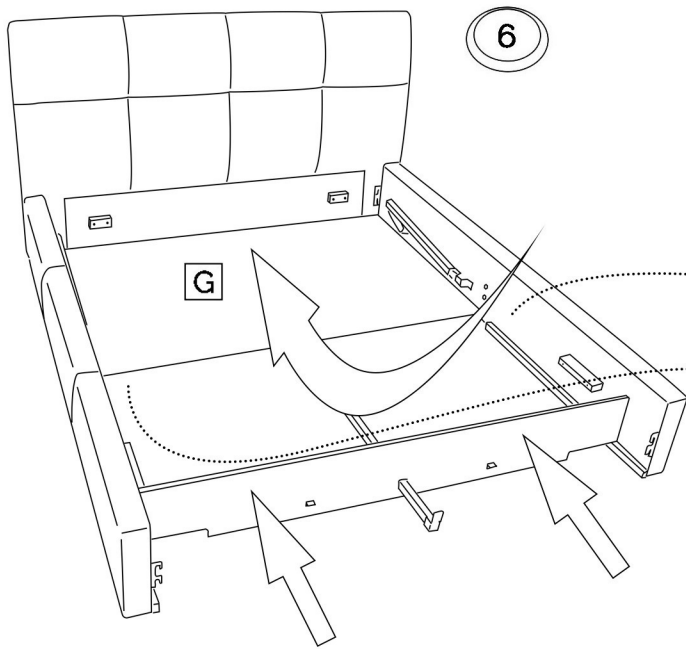
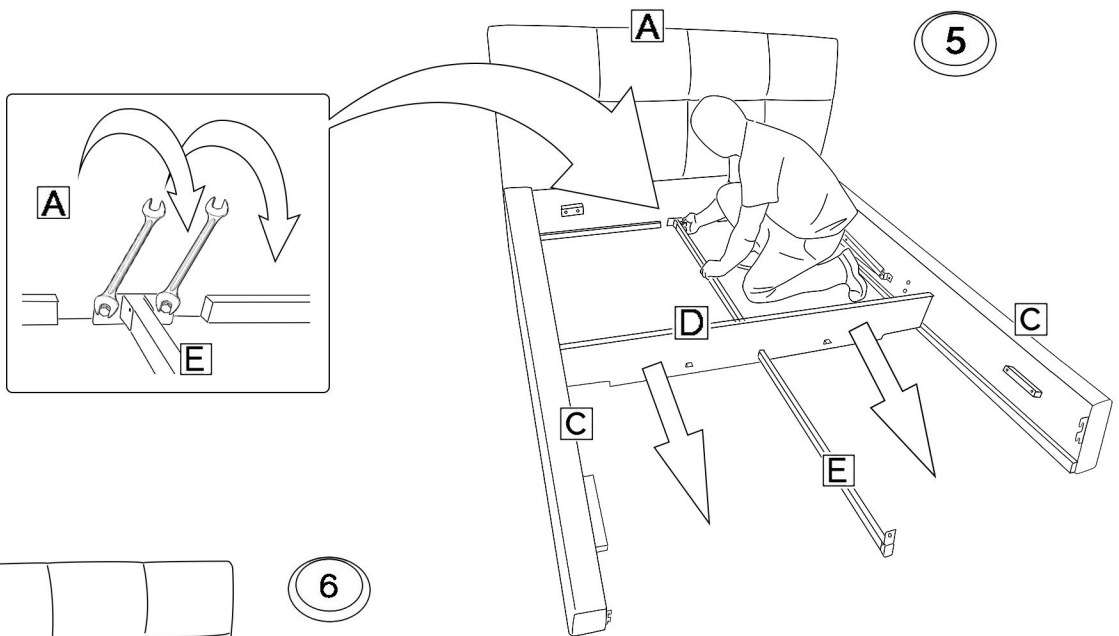


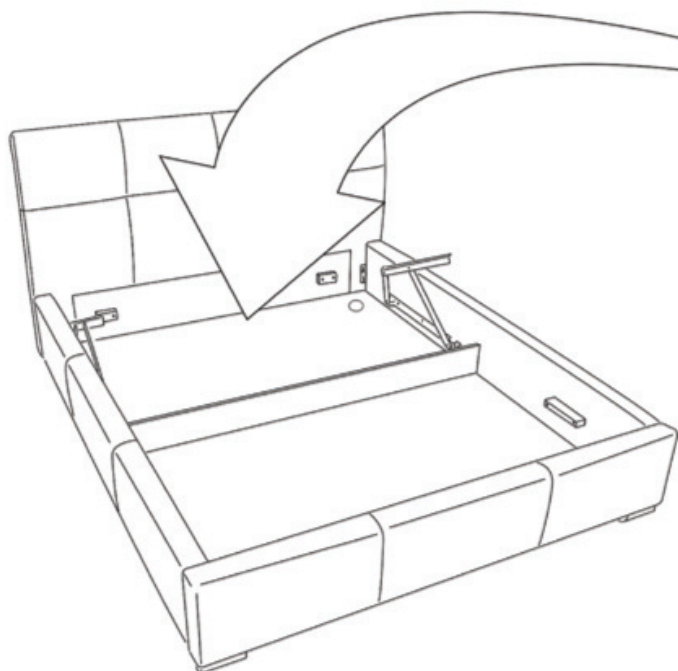
3



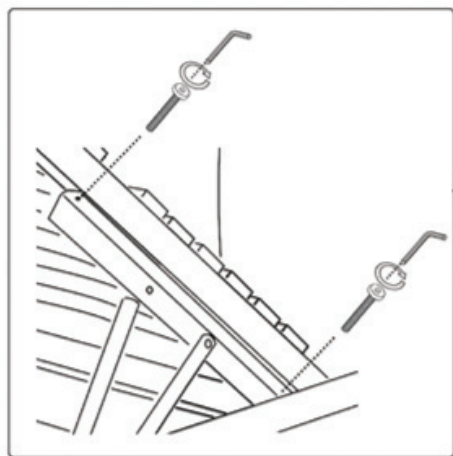
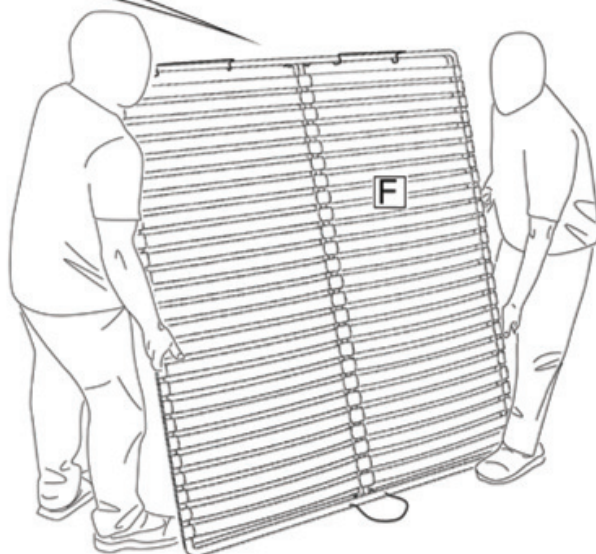
4



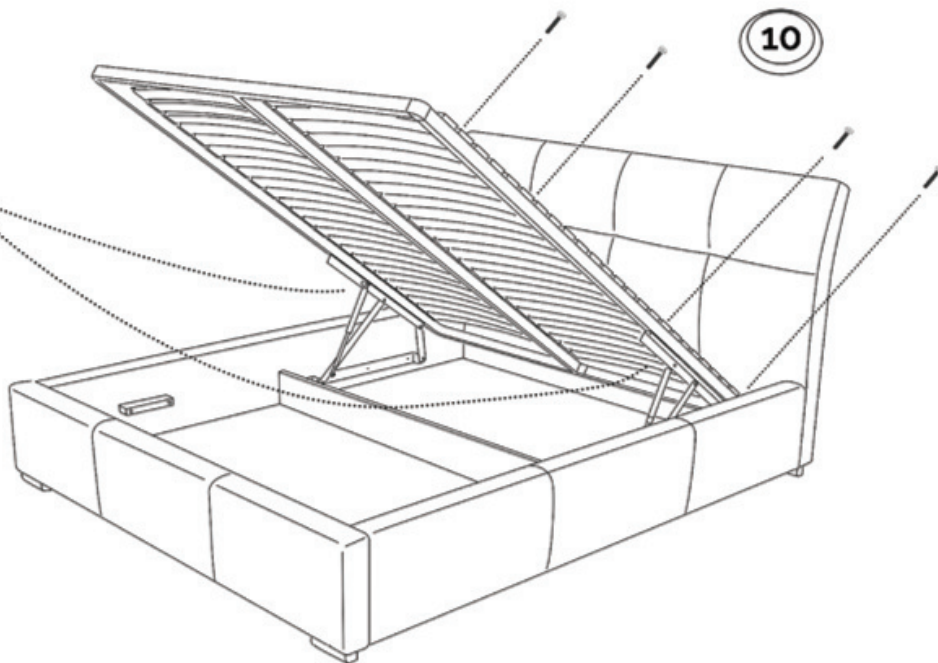




9



10



11

