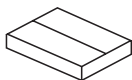




Kave® Cares



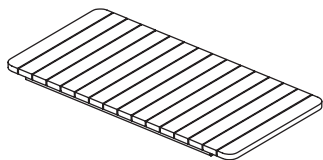
15 min



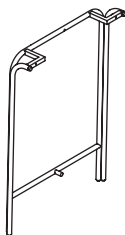
x1



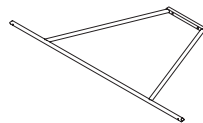
x1



**A** x1



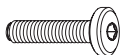
**B** x2



**C** x1



**D** x6  
M8



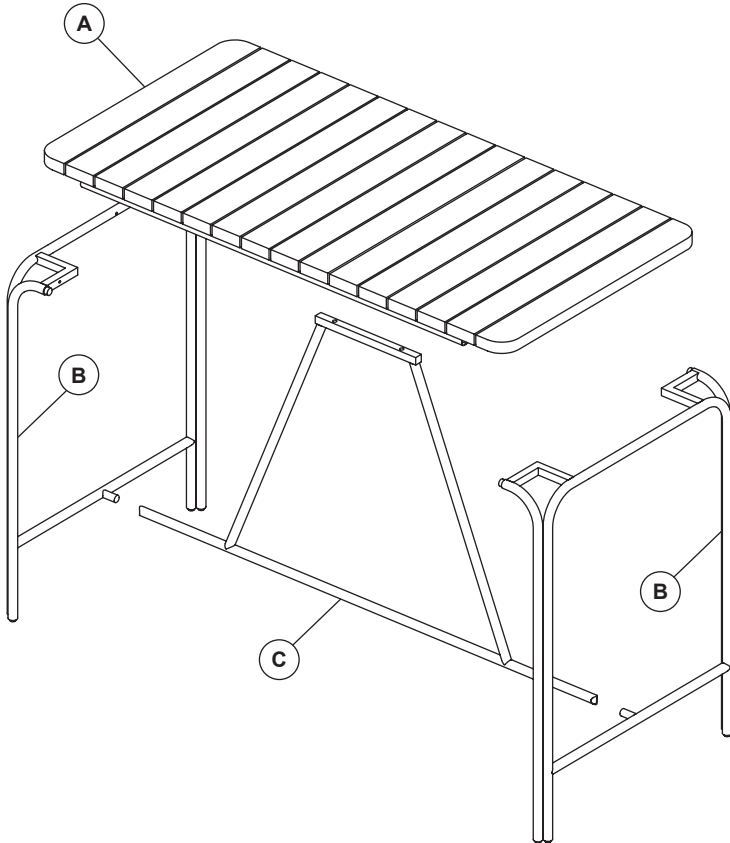
**E** x6  
M8x40mm



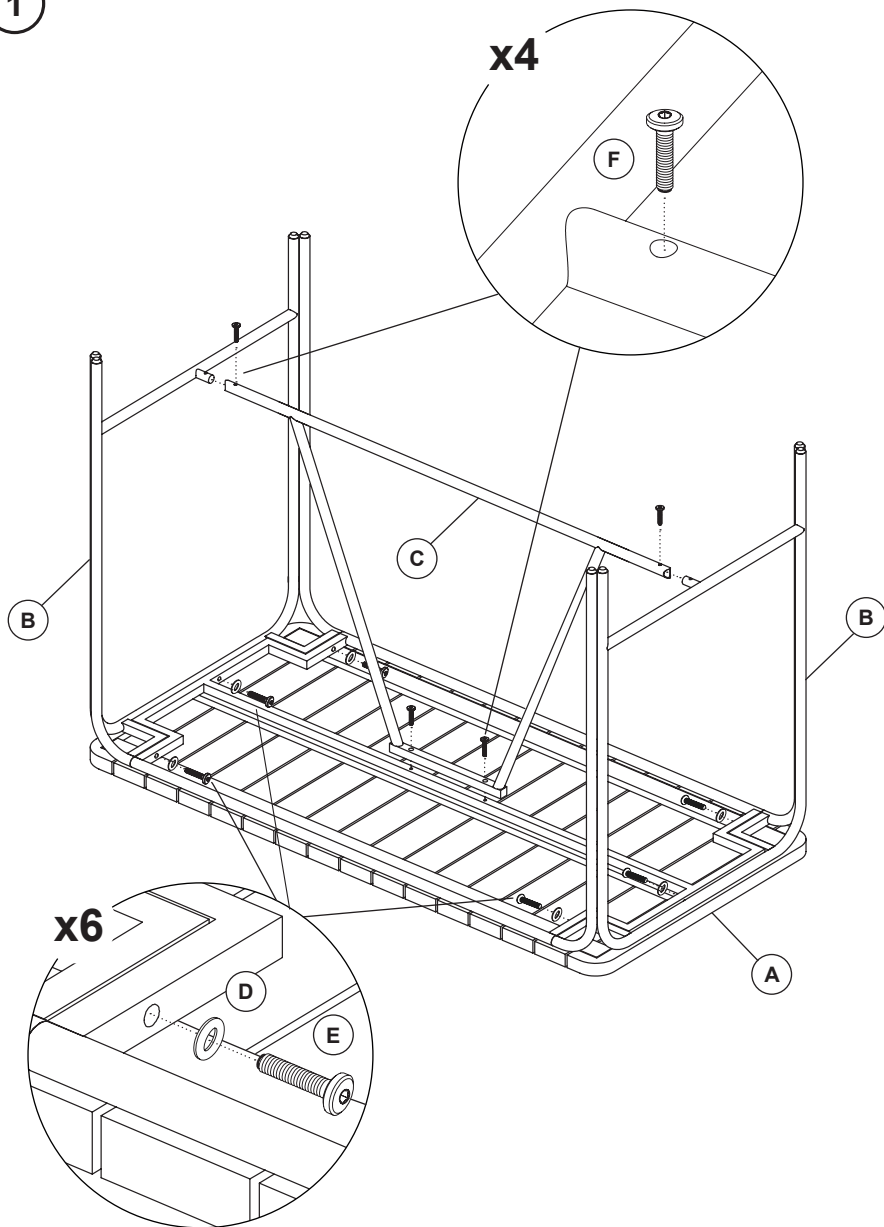
**F** x4  
M6x15mm



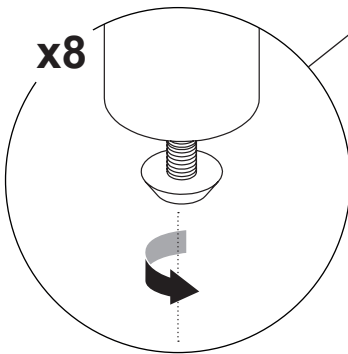
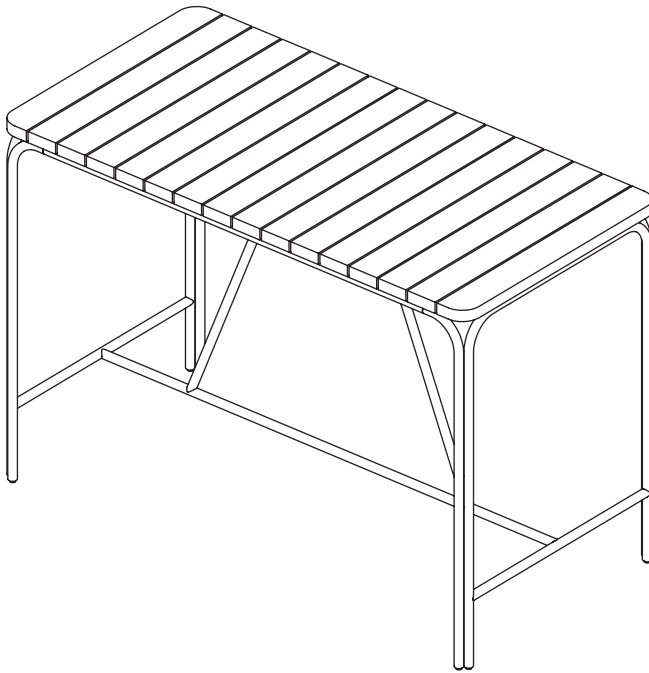
**G** x1

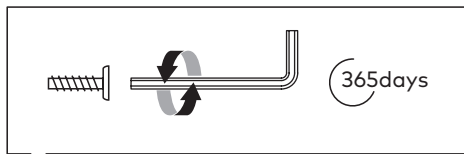
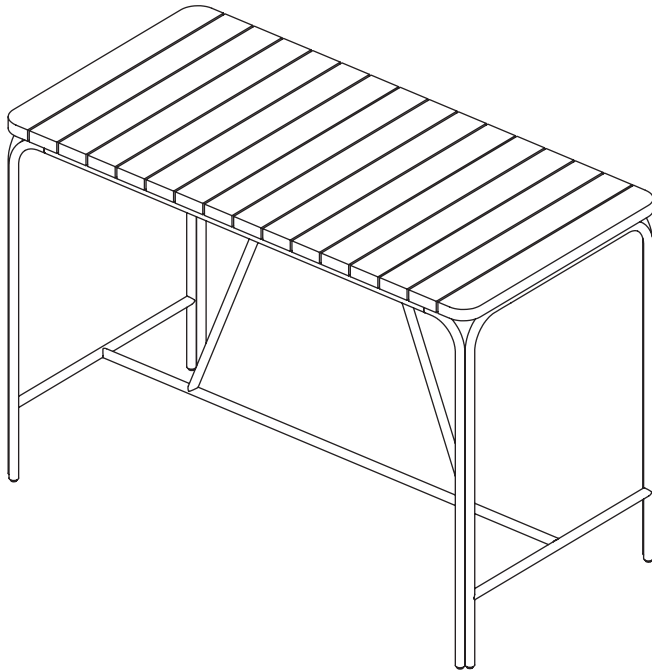


1



2







**THAT'S ALL FOLKS**

Share your style!

#KaveHome

