



Kave® Cares



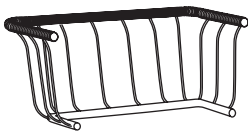
15 min



x1



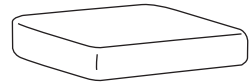
x1



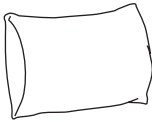
**A** x1



**B** x1



**C** x1



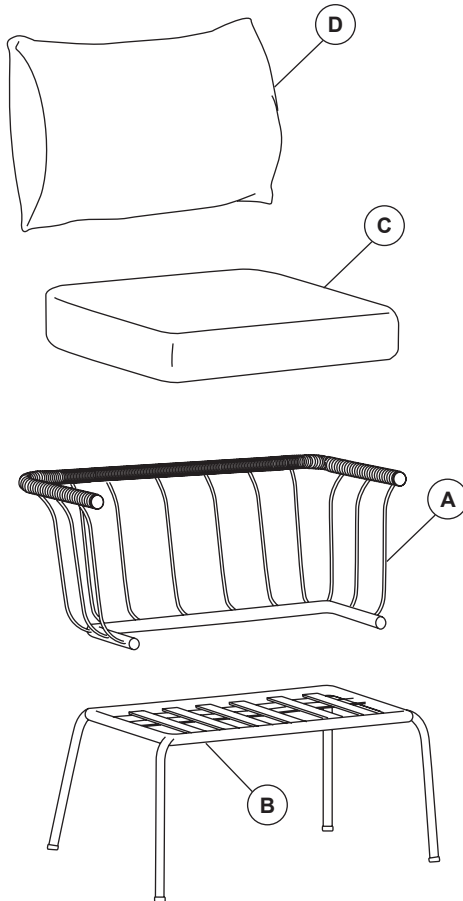
**D** x1



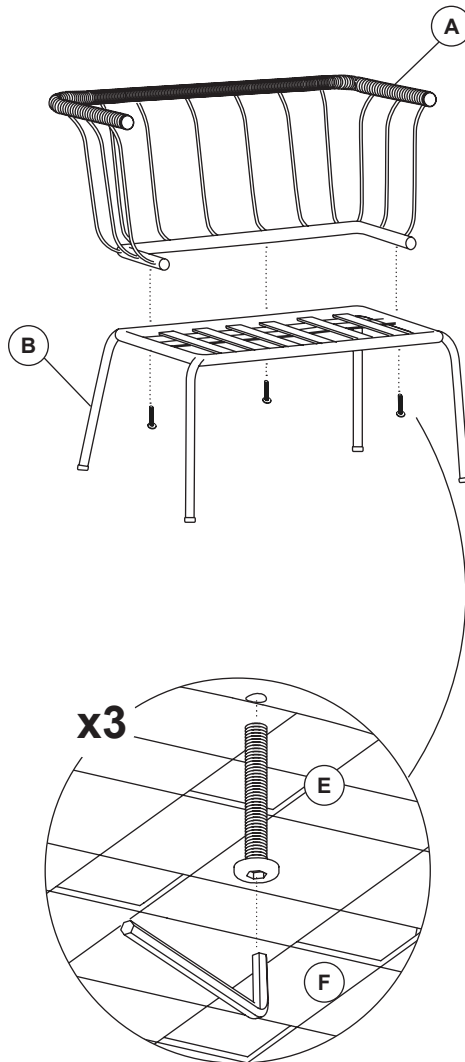
**E** x3  
M6x35mm



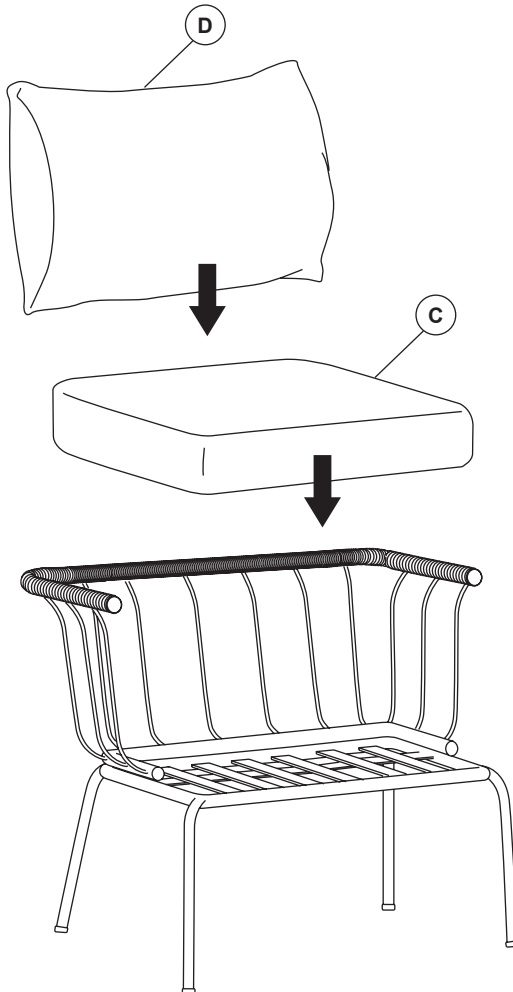
**F** x1

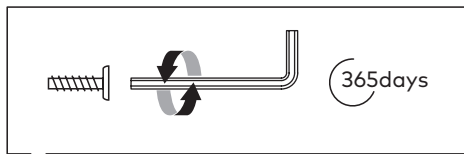
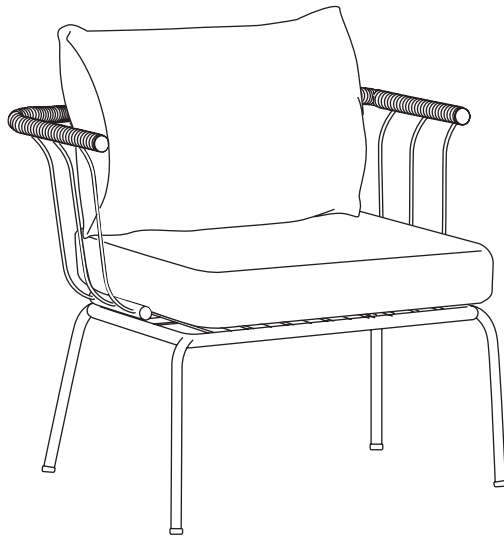


1



2







**THAT'S ALL FOLKS**

Share your style!

#KaveHome

