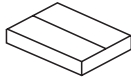


Kave® Cares



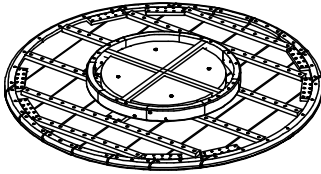
15 min



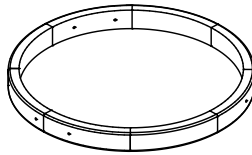
x1



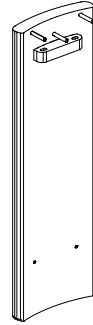
x2



A x1



B x1



C x3



D x9  
M8x8mm



E x9  
Ø19x2mm



F x 6  
M6x60mm



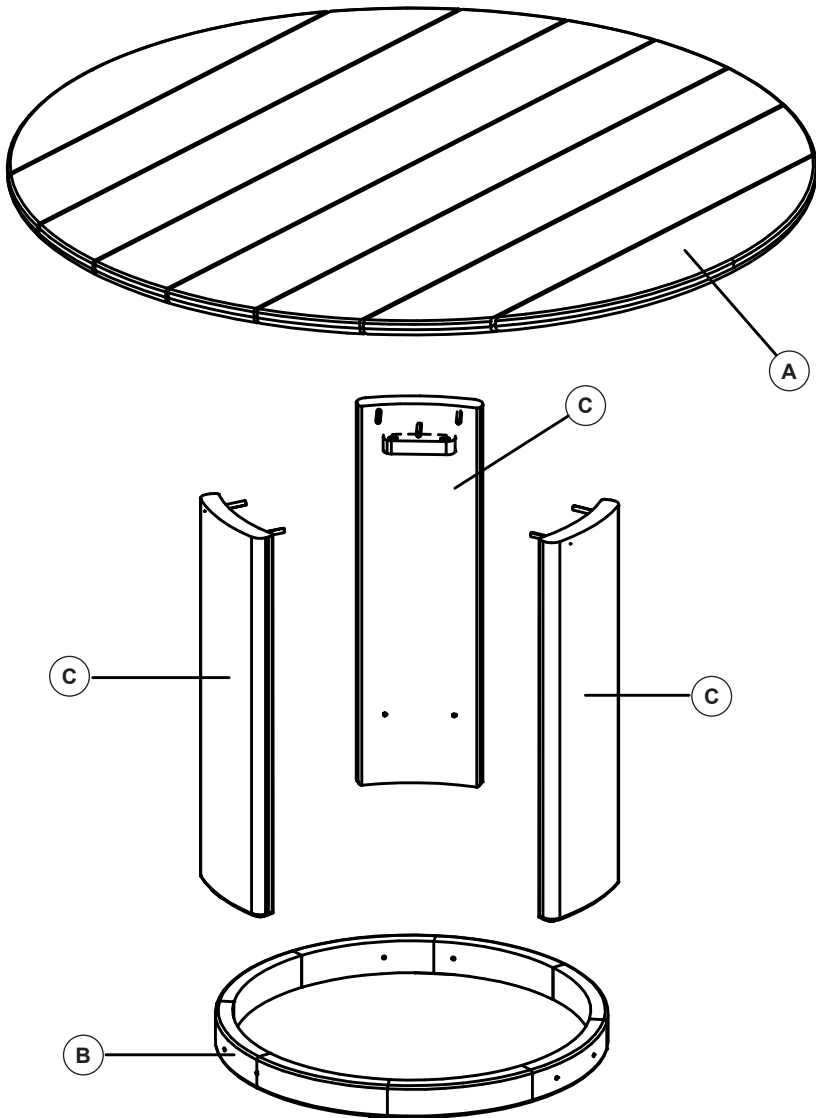
G x1



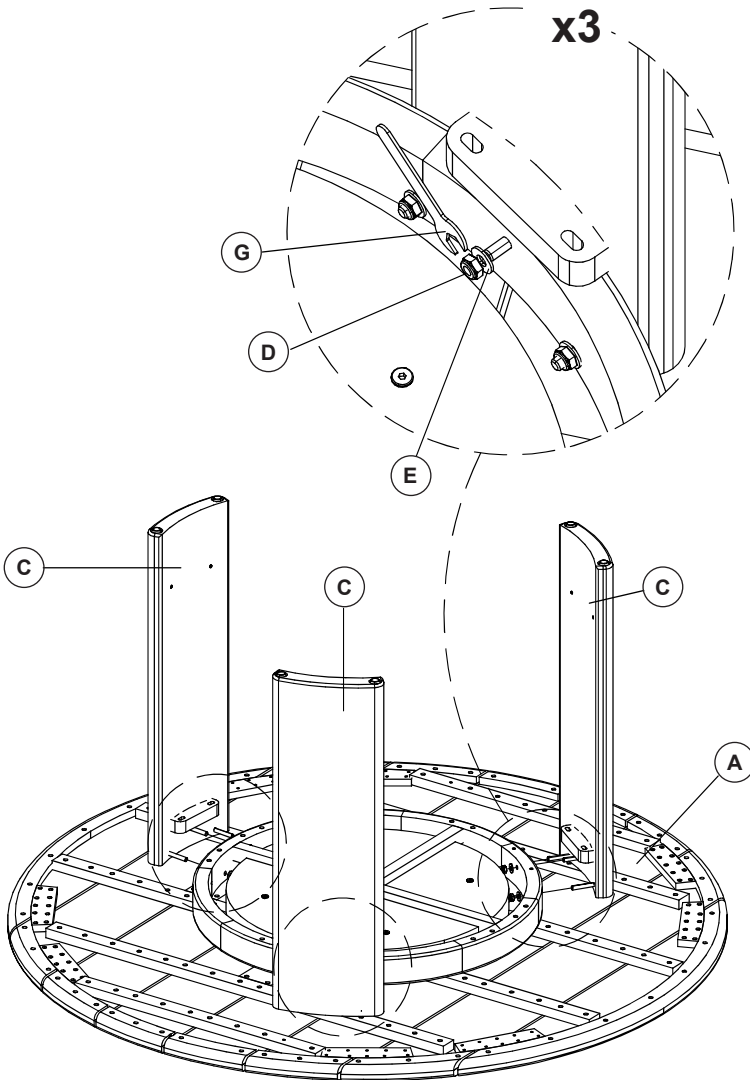
H x1



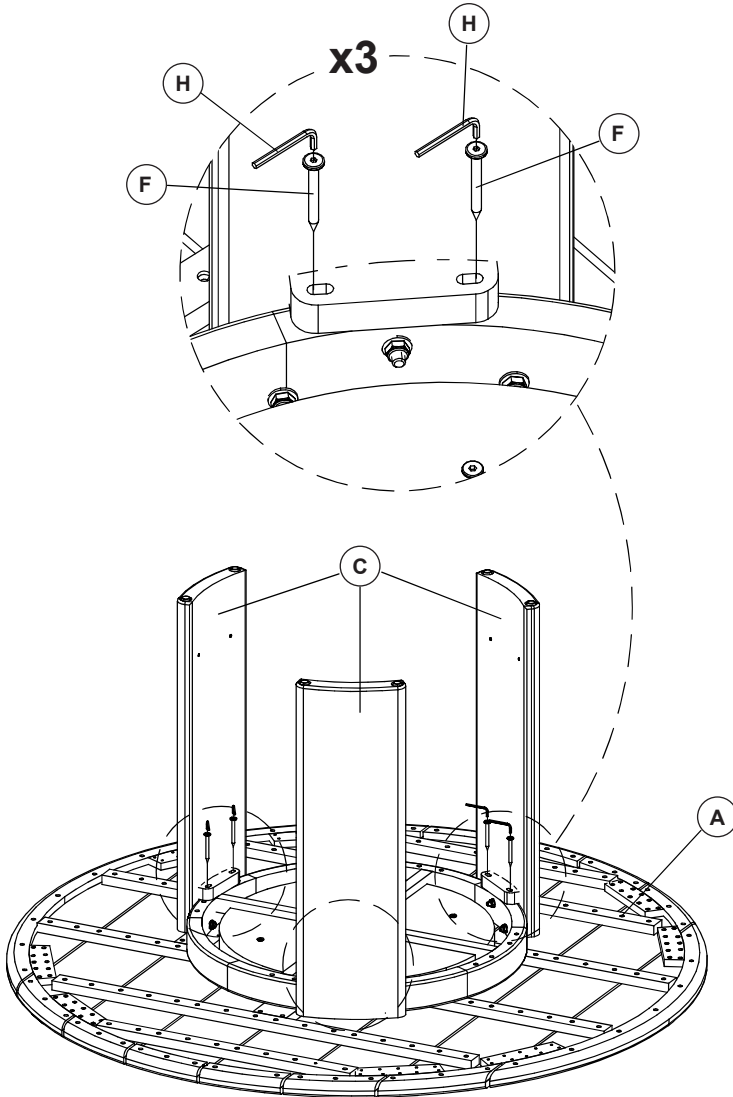
I x 6  
M6x50mm



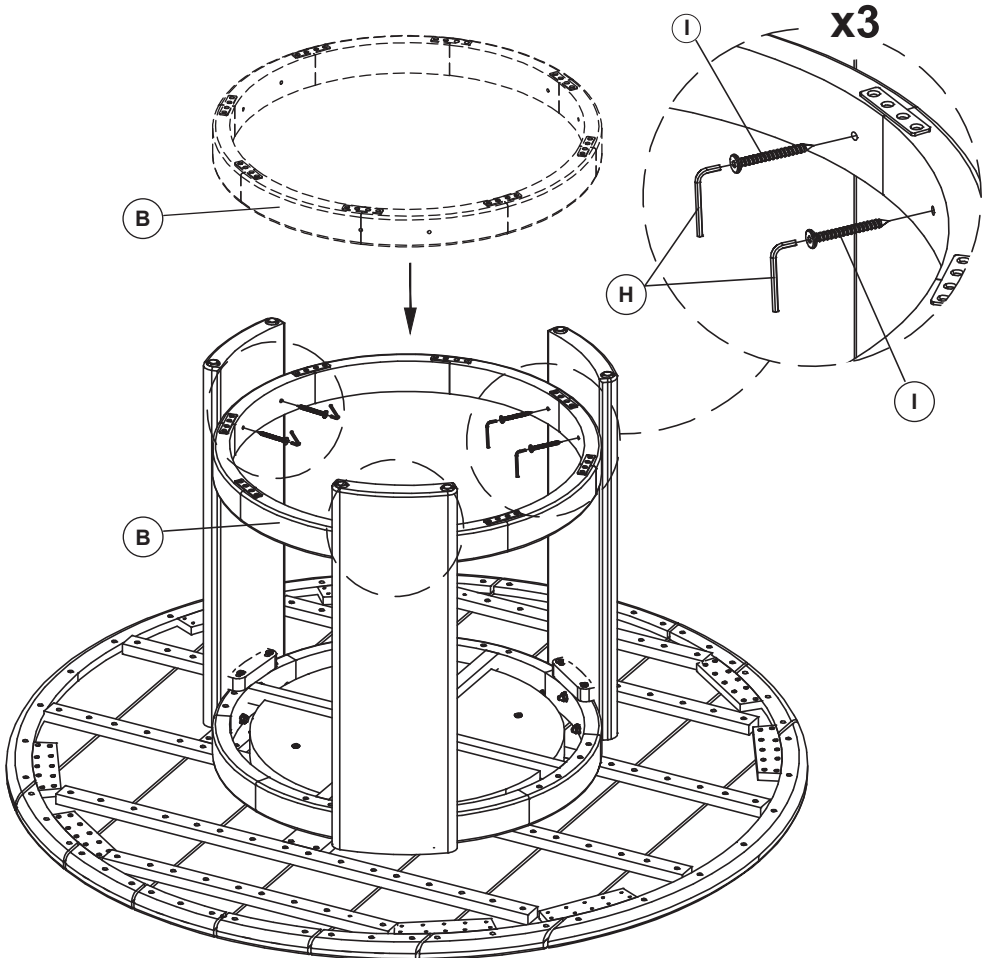
1

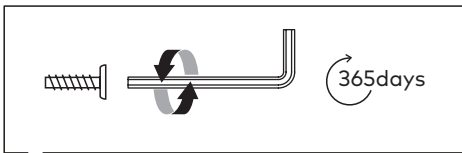
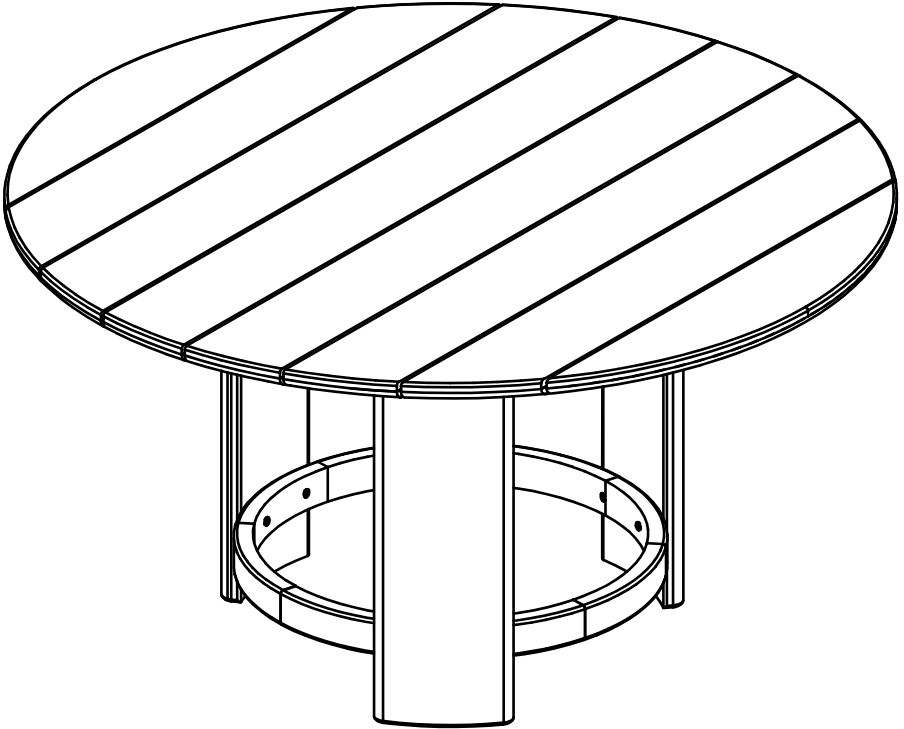


2



3















**THAT'S ALL FOLKS**

Share your style!

#KaveHome

